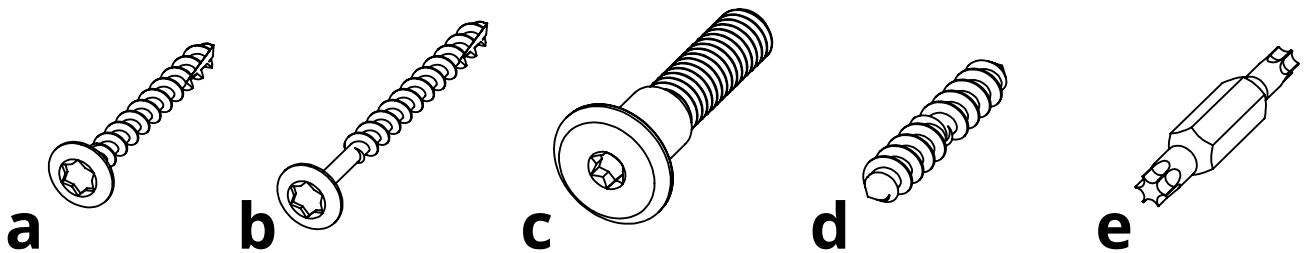


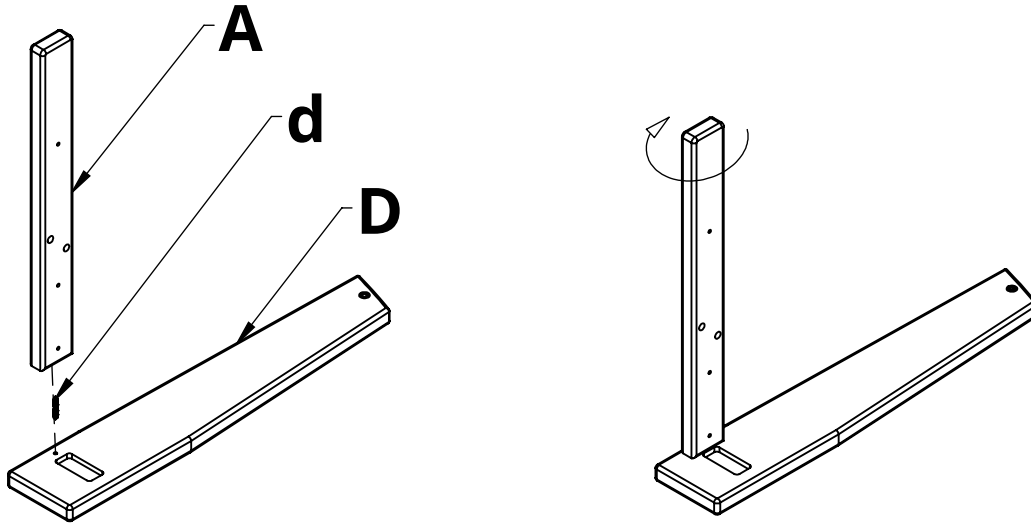
PARTS			
PART	DESCRIPTION	PART NO.	QTY
A	LEFT FRONT LEG	PRT-00056	1
B	RIGHT FRONT LEG	PRT-00058	1
C	UNDER ARM SUPPORT	PRT-00057	2
D	LEFT ARM ASSEMBLY	SA-00020	1
E	RIGHT ARM ASSEMBLY	SA-00331	1
F	ADIRONDACK SPREADER	SS-22.187	1
G	BASE ASSEMBLY	SA-00019	1
H	BACK ASSEMBLY	SA-00022	1



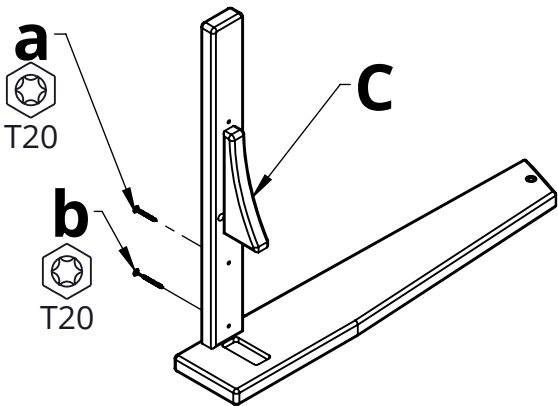
HARDWARE			
PART	DESCRIPTION	PART NO.	QTY
a	#8 X 1-1/2" TORX SCREW	H-0000-S815	4
b	#8 X 2" TORX SCREW	H-0000-S82	4
c	5/16" X 1-1/2" CHAIR BOLT	H-0000-CB51615	6
d	DOUBLE SCREW	H-0000-DS	2
e	T20 & T25 TORX BIT	H-0000-CTD	1

Suggested Tools: Drill, Plastic Mallet

Please read entire instructions before beginning

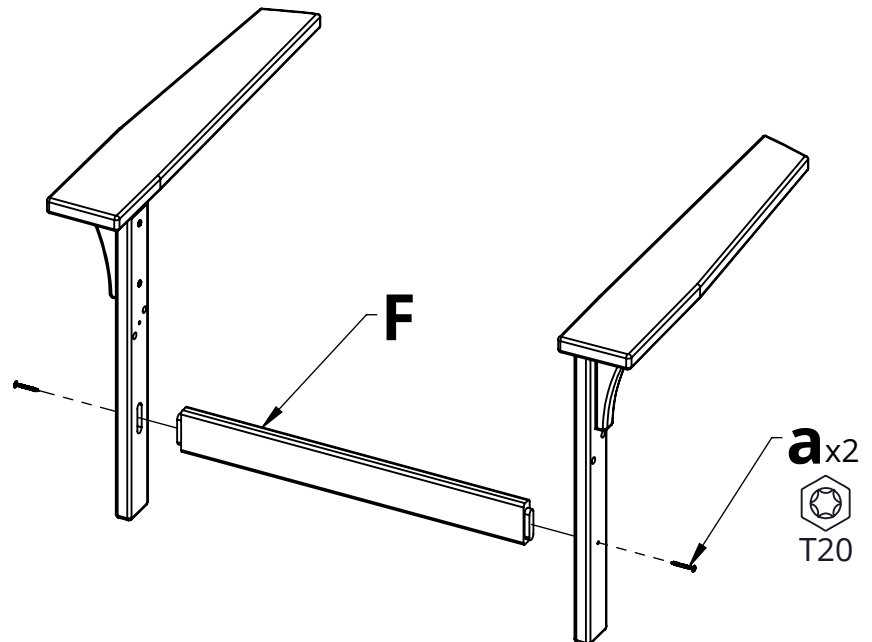


- 1.** Attach Part A to Part D by inserting Hardware d into the pre-drilled holes and rotating Part A clockwise, stopping when the assembly is tight

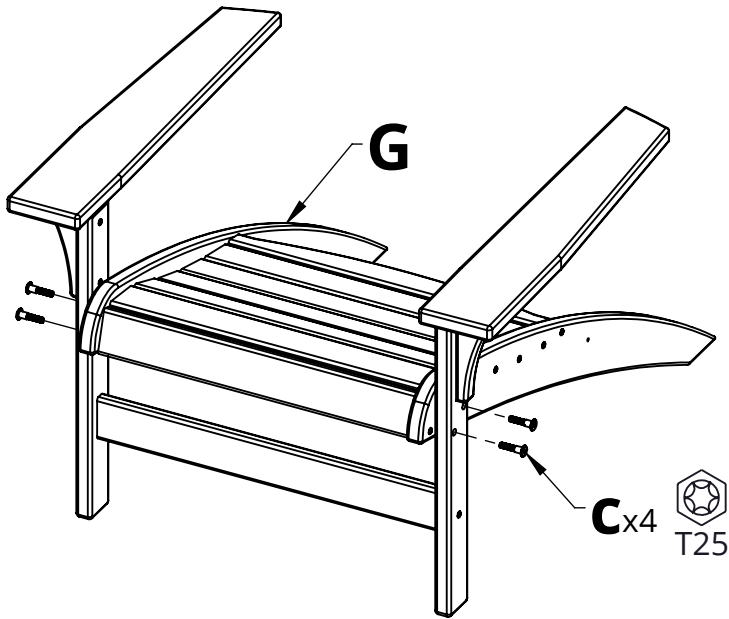


- 2.** Connect Part C to the assembly using the hardware shown

- 3.** Repeat Steps 1&2 with Parts B, C & E



- 4.** Attach Part F to the previous assemblies using Hardware a



5. Place Part G between the previous assemblies and connect it with Hardware d

6. Slide Part H into the assembly and attach it with the hardware shown

