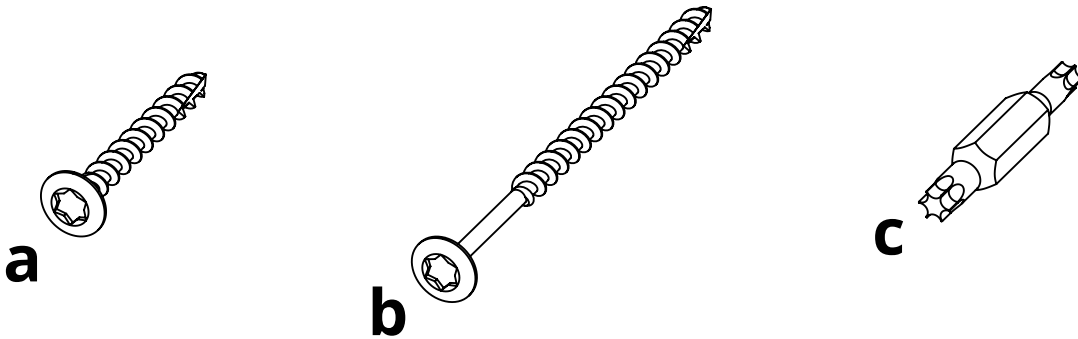


## PARTS

PART	DESCRIPTION	PART NO.	QTY
A	LEFT FRONT LEG ASSEMBLY	SA-00016	1
B	RIGHT FRONT LEG ASSEMBLY	SA-00015	1
C	KIDS SPREADER	SS-15.0625	1
D	BASE ASSEMBLY	SA-00014	1
E	LEFT ARM	PRT-00044	1
F	RIGHT ARM	PRT-00045	1
G	BACK ASSEMBLY	SA-00017	1

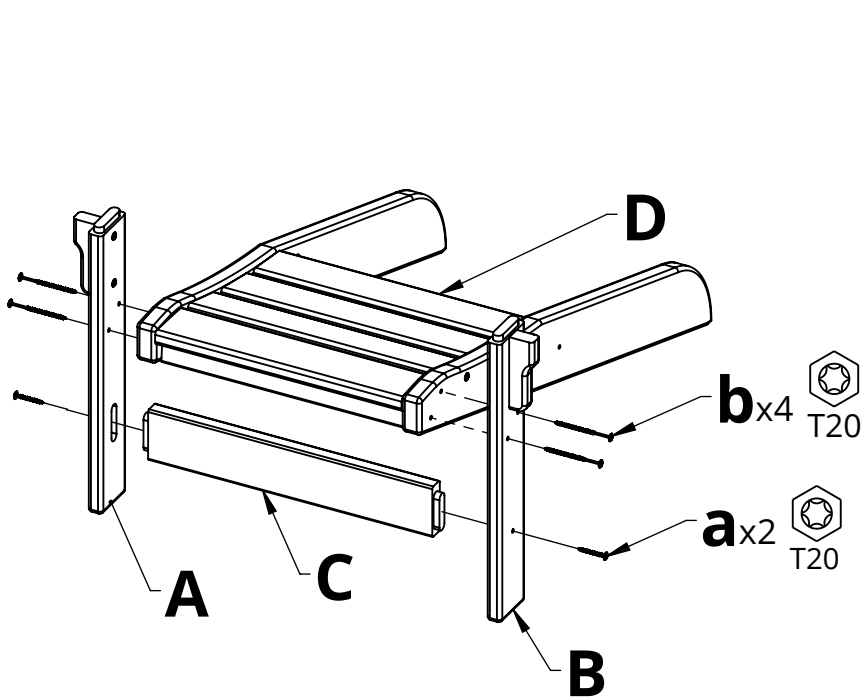


## HARDWARE

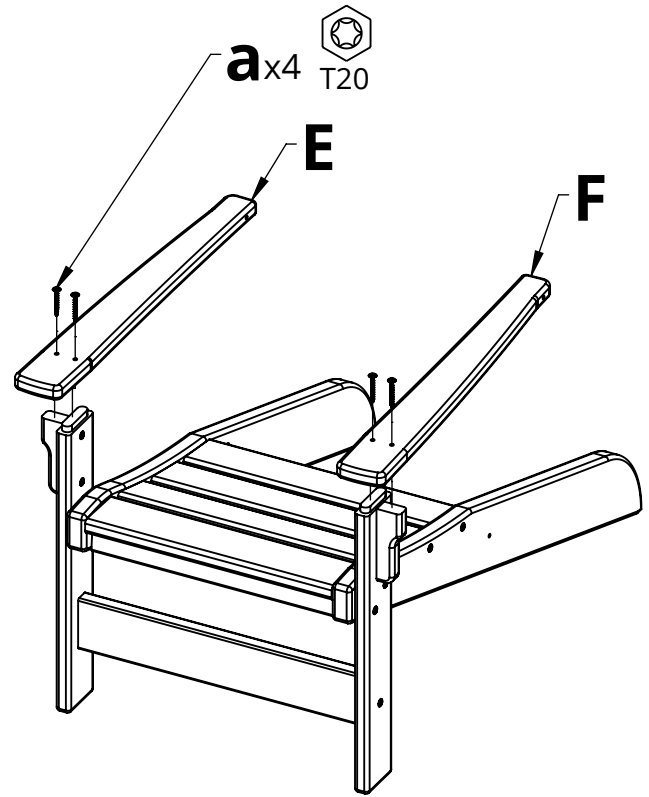
PART	DESCRIPTION	PART NO.	QTY
a	#8 X 1-1/2" TORX SCREW	H-0000-S815	8
b	#8 X 3" TORX SCREW	H-0000-S83	6
c	T20 & T25 TORX BIT	H-0000-CTD	1

**Suggested Tools:** Drill, Plastic Mallet

# Please read entire instructions before beginning



**1.** Attach Parts C & D to Parts A & B with the hardware shown



**2.** Connect Parts E & F using Hardware a

**3.** Slide Part G into place and attach it with the hardware shown

