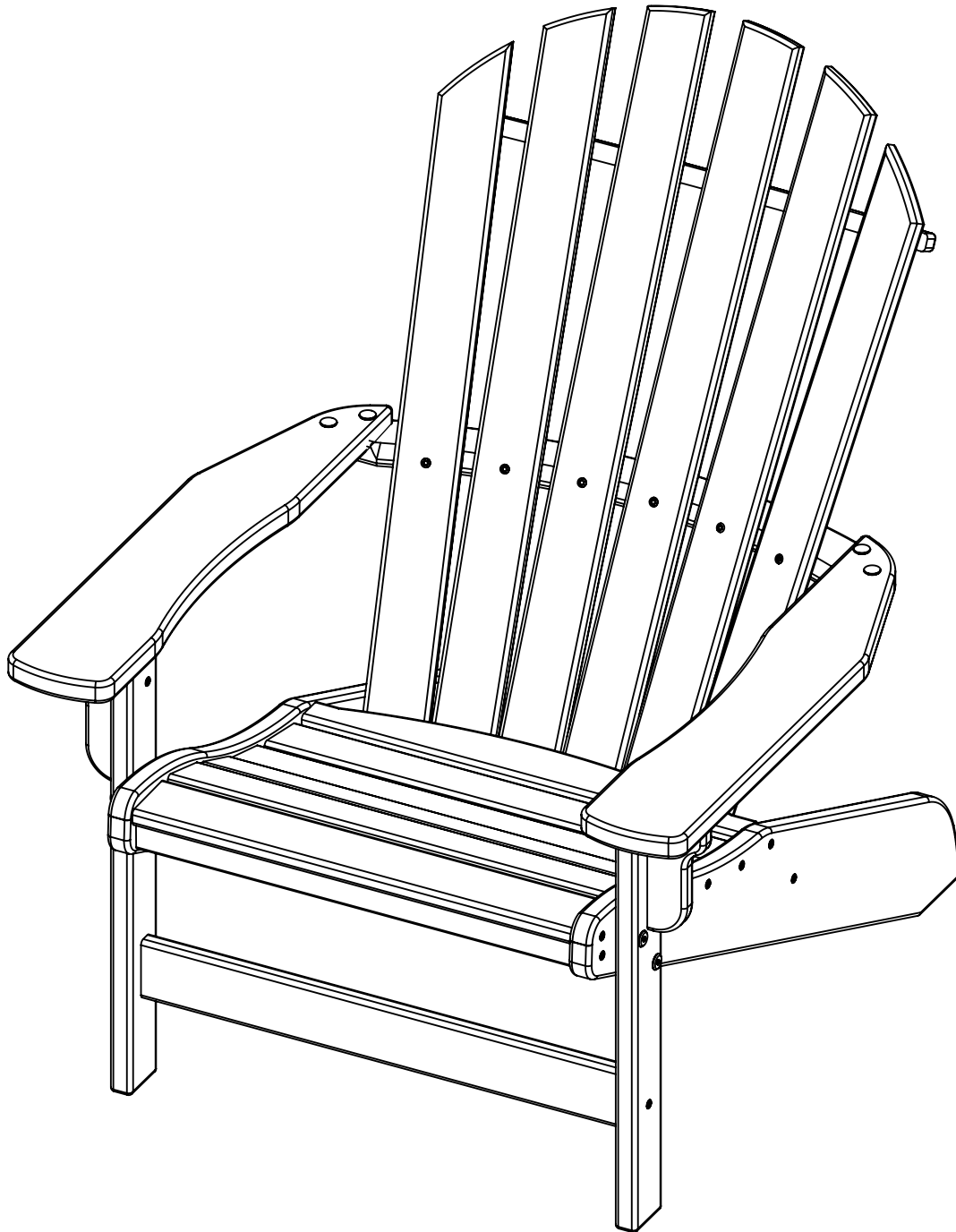
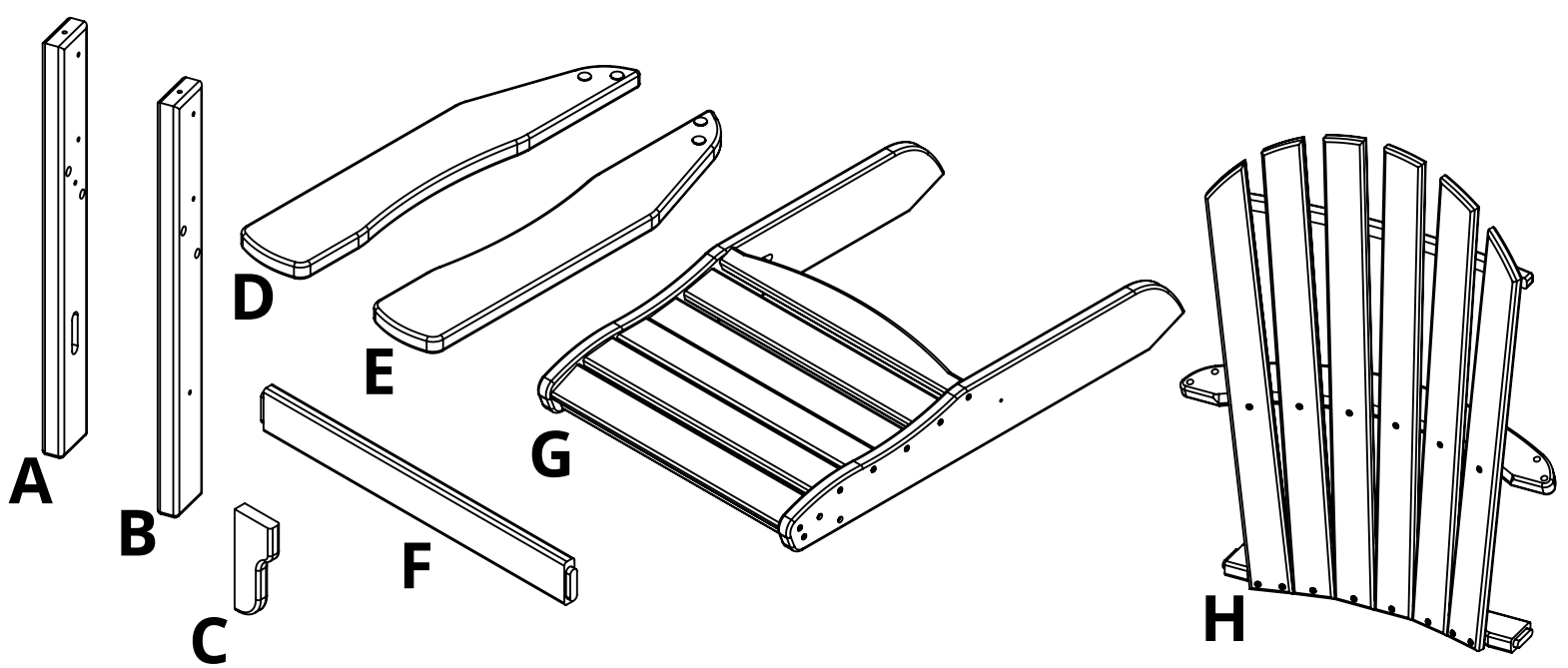


breezesta™

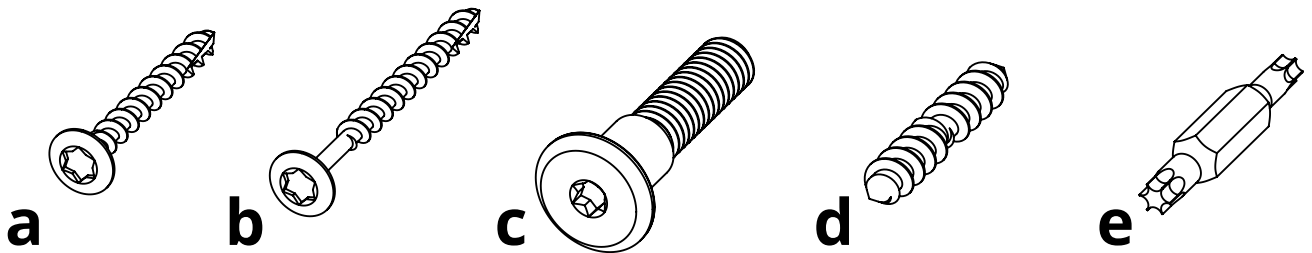
COASTAL ADIRONDACK
AD-0102



REV02-2/19



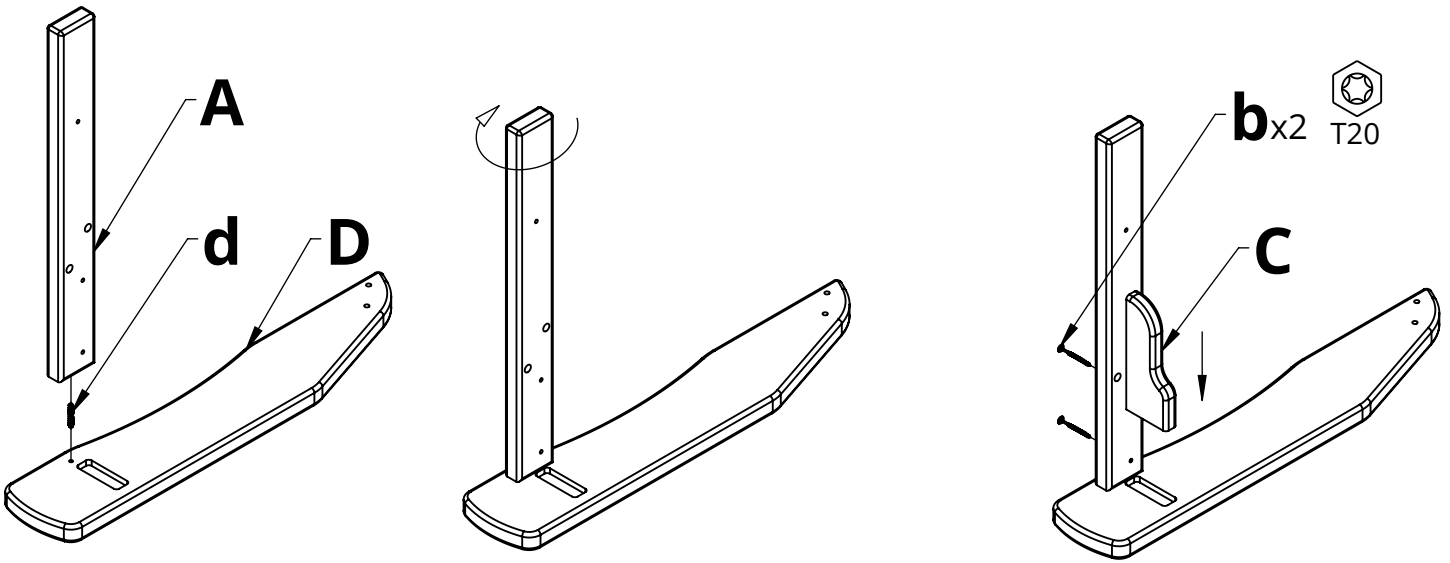
PARTS			
PART	DESCRIPTION	PART NO.	QTY
A	LEFT FRONT LEG	PRT-00123	1
B	RIGHT FRONT LEG	PRT-00125	1
C	UNDER ARM SUPPORT	PRT-00124	2
D	LEFT ARM ASSEMBLY	SA-00046	1
E	RIGHT ARM ASSEMBLY	SA-00047	1
F	ADIRONDACK SPREADER	SS-22.187	1
G	BASE ASSEMBLY	SA-00043	1
H	BACK ASSEMBLY	SA-00048	1



HARDWARE			
PART	DESCRIPTION	PART NO.	QTY
a	#8 X 1-1/2" TORX SCREW	H-0000-S815	2
b	#8 X 2" TORX SCREW	H-0000-S82	6
c	5/16" X 1-1/2" CHAIR BOLT	H-0000-CB51615	8
d	DOUBLE SCREW	H-0000-DS	2
e	T20 & T25 TORX BIT	H-0000-CTD	1

Suggested Tools: Drill, Plastic Mallet

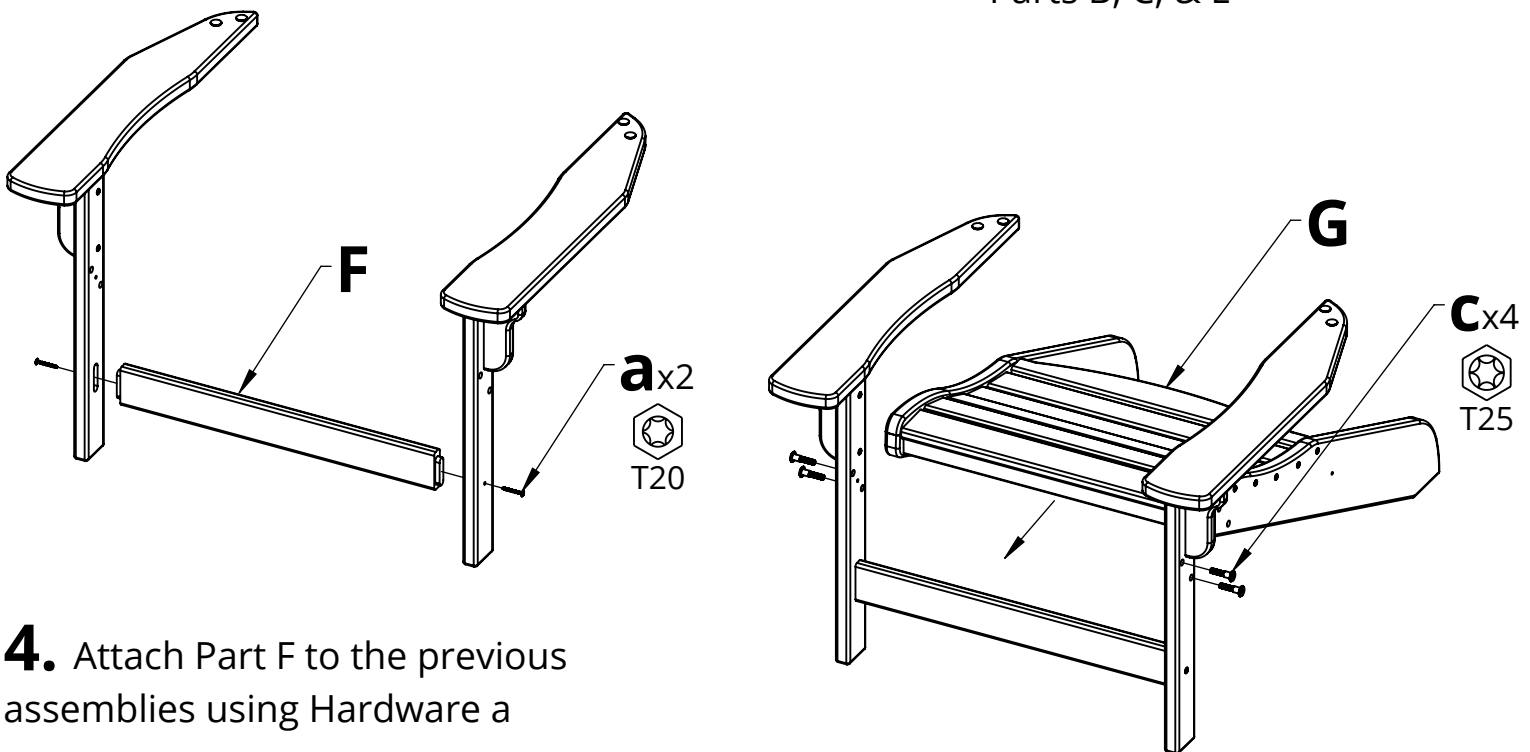
Please read entire instructions before beginning



1. Attach Part A to Part D by inserting Hardware d into the pre-drilled holes and rotating Part A clockwise, stopping when the assembly is tight

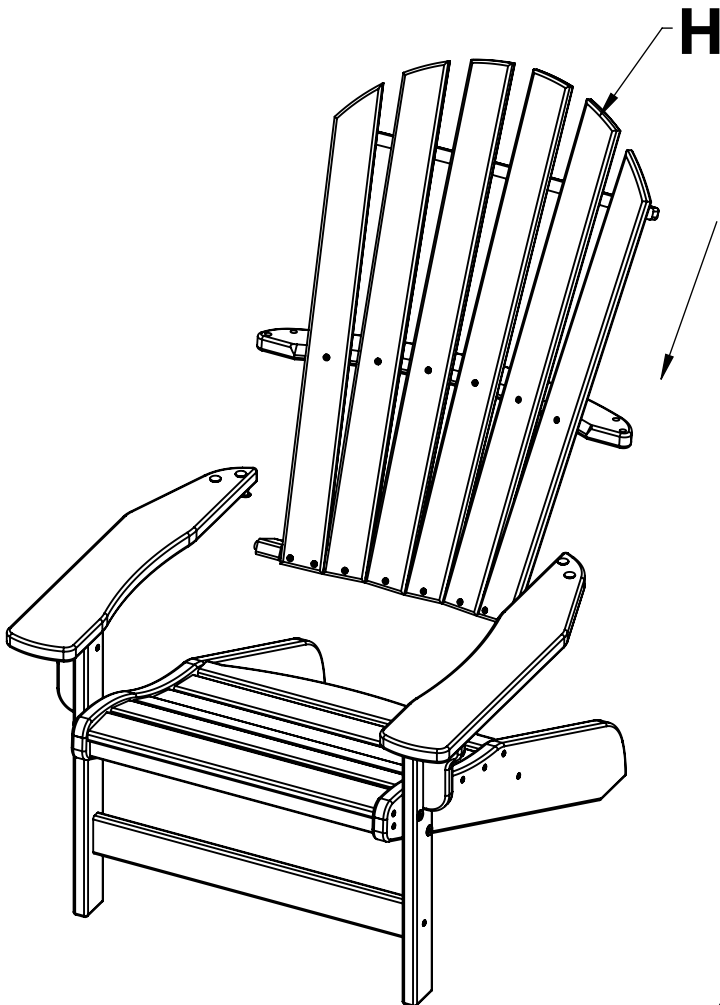
2. Place Part C into the pre-cut slot and attach it using Hardware b

3. Repeat Steps 1-2 for Parts B, C, & E



4. Attach Part F to the previous assemblies using Hardware a

5. Place Part G between the previous assemblies & attach it using Hardware c



6. Attach Part H as shown

