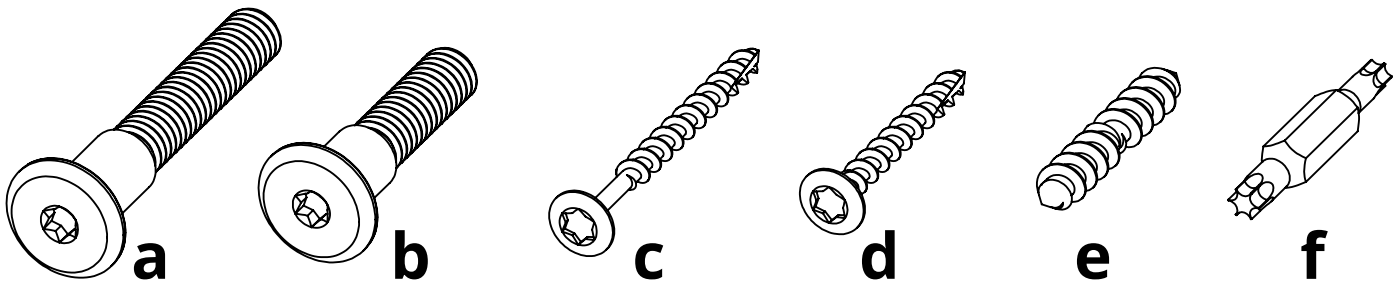


PARTS			
PART	DESCRIPTION	PART NO.	QTY
A	LEFT ARM ASSEMBLY	SA-00405	1
B	RIGHT ARM ASSEMBLY	SA-00406	1
C	FRONT LEG	PRT-00006	2
D	UNDER ARM SUPPORT	PRT-00007	2
E	ADIRONDACK SPREADER	SS-22.187	1
F	BASE ASSEMBLY	SA-00001	1
G	BACK ASSEMBLY	SA-00008	1

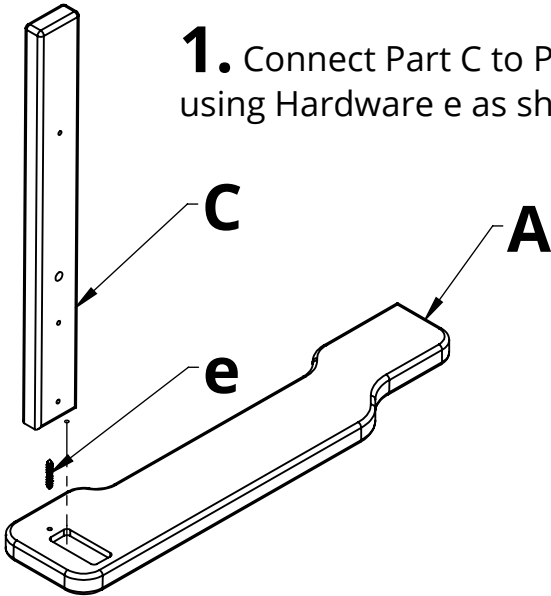


HARDWARE PACK			
PART	DESCRIPTION	PART NO.	QTY
a	5/16" X 2-1/8" CHAIR BOLT	H-0000-CB516218	2
b	5/16" X 1-1/2" CHAIR BOLT	H-0000-CB51615	6
c	#8 X 2" TORX SCREW	H-0000-S82	4
d	#8 X 1-1/2" TORX SCREW	H-0000-S815	2
e	DOUBLE SCREW	H-0000-DS	2
f	T20 & T25 TORX BIT	H-0000-CTD	1

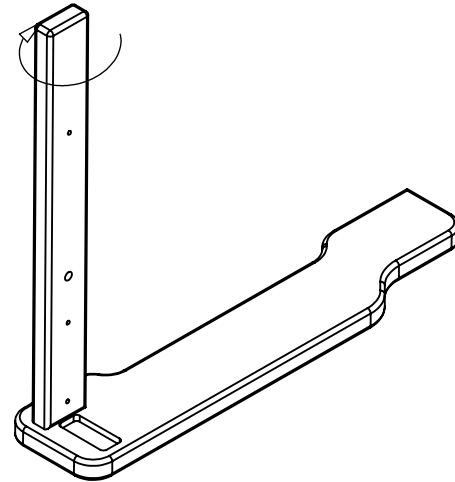
Suggested Tools: Drill, Plastic Mallet

Please read entire instructions before beginning

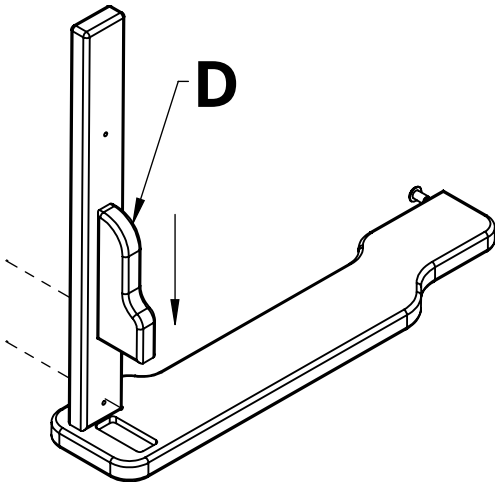
1. Connect Part C to Part A using Hardware e as shown



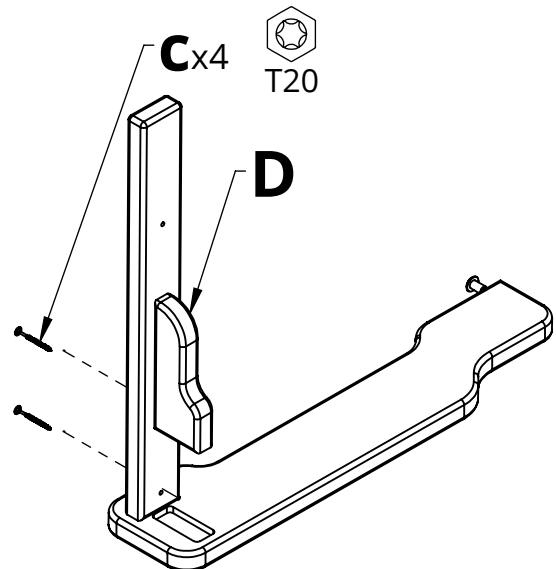
2. Rotate Part C clockwise until tight in the orientation shown



3. Place Part D in pre-cut slot as shown.

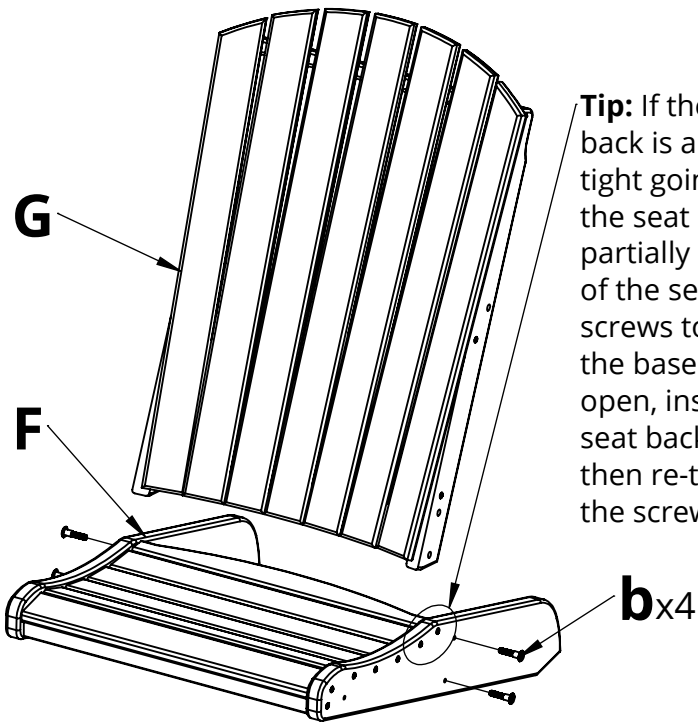


4. Using Hardware C attach Part D as shown.



5. Repeat step 1-4 with Parts B,C,& D. These assemblies will be used in step 7.

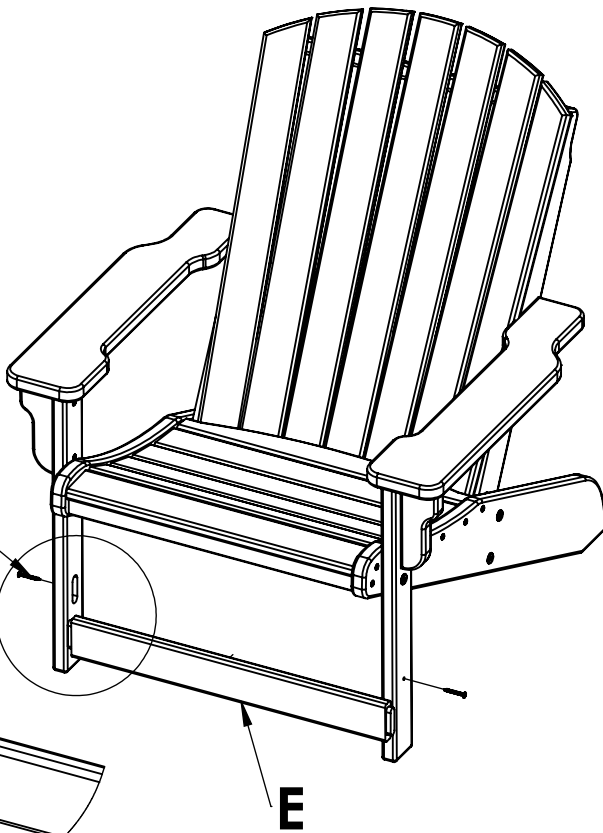
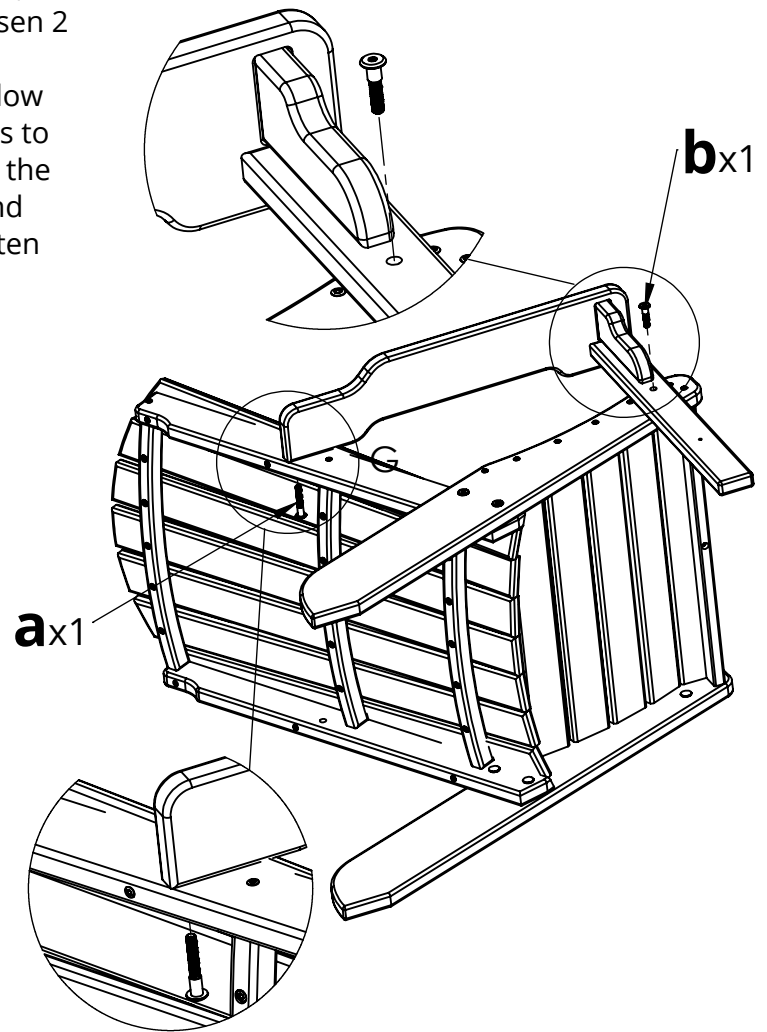
6. Attach Part G to Part F using 4 of hardware b.



Tip: If the seat back is a little tight going into the seat base, partially loosen 2 of the seat screws to allow the base legs to open, insert the seat back and then re-tighten the screws.

Tip: When installing the chair bolts in Steps 6 & 7, insert the bolt into the hole, align it with the nut and finger-tighten the bolt a couple of turns into the nut before driving with a drill. This will help to reduce the risk of cross-threading.

7. Turn the back/seat assembly on it's side. Lay one arm/leg assembly from steps 1-5 on the back/seat assembly and bolt together using 1 each of hardware a & b as shown. Flip the chair to the opposite side and repeat.



8. Assemble Part E into the chair. Insert the tenon into the slot in one leg. Then with slight pressure on the opposing leg, push the opposite side of Part E into its corresponding slot. Screw in place using 2 of hardware e.