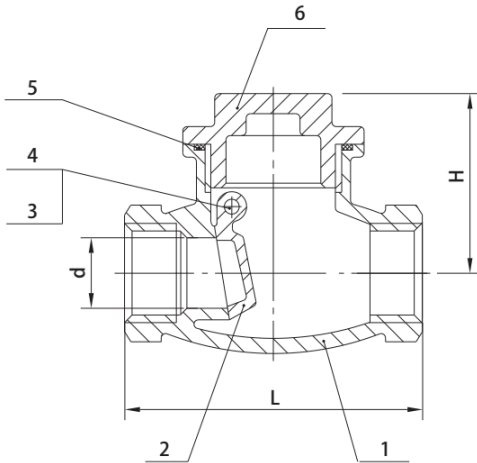


Stainless Steel Swing Check Valve BSP



Features

- CF8M body
- Metal seat
- PTFE seals
- BSP threaded ends
- To be installed in horizontal pipework
- Working temperature: -20°C to +200°C
- Maximum working pressure: 200 psi (13.8 bar)



Item	Name	Material
1	Body	CF8M
2	Disc	CF8M
3	Plug Pipe	SS 316
4	Plug Gasket	PTFE
5	Body Gasket	PTFE
6	Cap	CF8M

Size	d	L	H	Kg
1/4"	10	63	42	0.27
3/8"	12	63	42	0.26
1/2"	15	63	42	0.23
3/4"	20	78	46	0.35
1"	25	87	50	0.54
1 1/4"	32	101	54	0.81
1 1/2"	40	115	64	1.01
2"	50	135	71	1.62
2 1/2"	64	164	94	2.94
3"	73	190	103	4.13
4"	94	240	136	9.10

