

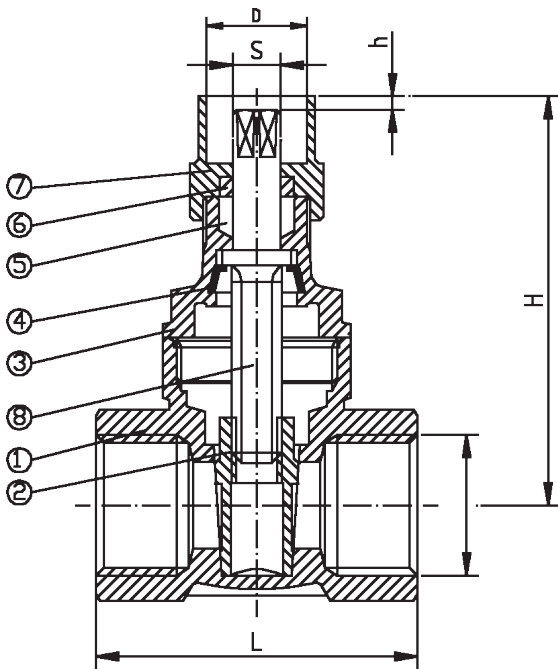
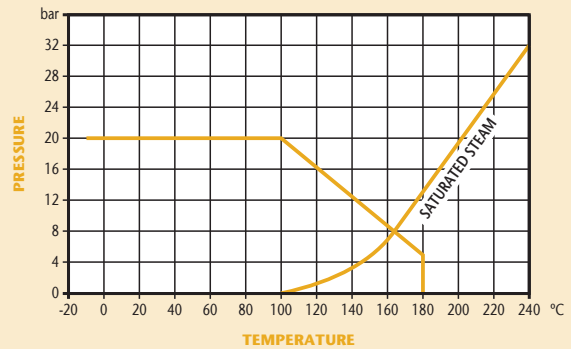


PN20 DZR Brass Gate Valve

Features

- Screwed BSP Taper (ISO 7/1)
- DZR Brass Body & Wedge
- Lock Shield
- BS5154

Pressure / Temperature



| DN | 1/2" | 3/4" | 1" | 1 1/4" | 1 1/2" | 2" |
|-----|------|------|------|--------|--------|-------|
| L | 43 | 46 | 52 | 65 | 66 | 82.5 |
| H | 63.5 | 67.3 | 68.9 | 87.7 | 96.7 | 114.5 |
| S | 6.3 | 6.3 | 6.3 | 6.3 | 8.0 | 8.0 |
| h | 4.5 | 4.5 | 4.5 | 4.5 | 4.5 | 4.5 |
| D | 15 | 15 | 15 | 16.5 | 19.5 | 19.5 |
| Kgs | 0.20 | 0.27 | 0.39 | 0.59 | 0.83 | 1.31 |

Technical Data

Max Pressure 20 Bar
Working Temperature -10°C to +180°C

| N. | Part Name | Materials |
|----|--------------|-----------|
| 1 | Body | DZR Brass |
| 2 | Wedge | DZR Brass |
| 3 | Bonnet | DZR Brass |
| 4 | Lock Nut | Brass |
| 5 | Stem Packing | PTFE |
| 6 | Gland | Brass |
| 7 | Packing Nut | Brass |
| 8 | Stem | DZR Brass |

Dimensions in mm

This data sheet is designed as a guide and should not be regarded as wholly accurate in every detail. We reserve the right to amend the specification of any product without notice.