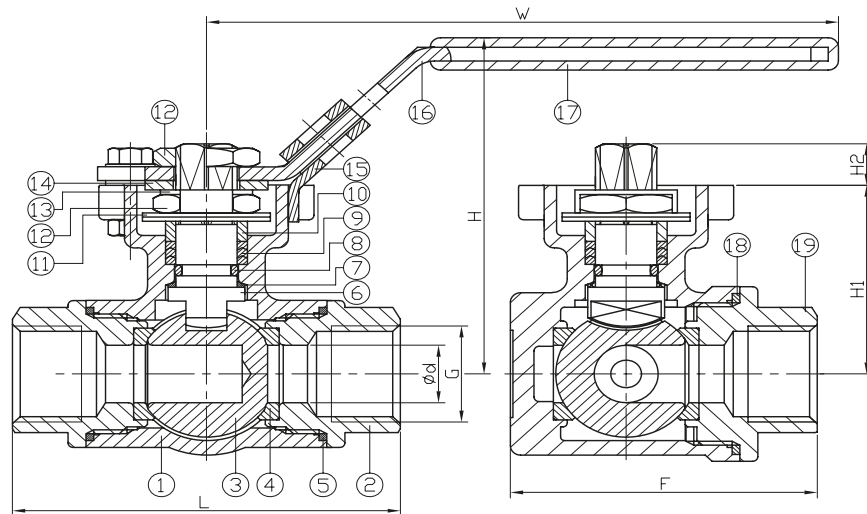
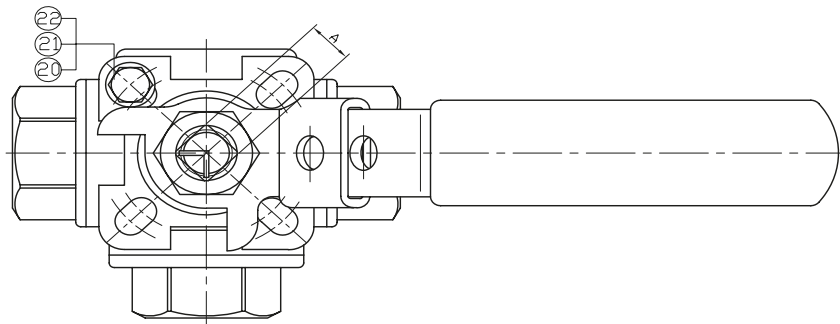


Stainless Steel 3 Way T Port Ball Valve BSP DirectMount



Features

- Reduced bore
- BSP threads
- PTFE seats
- Viton O-rings
- RTFE thrust washer
- Direct mount ISO5211
- Investment casting
- Blowout proof stem
- Locking lever
- Anti static
- Working Temperature: -20°C to +220°C
- Maximum Working Pressure: 63 bar



Name	Material
Body	CF8M
Cap	CF8M
Ball	CF8M
Seat	PTFE
Gasket	PTFE
Stem	316
O-ring	Viton
Stem Packing	PTFE
Gland	304

Size (G)	d	L	F	H	W	ISO 5211	H1	H2	A	Torque Breakaway/Action
1/4"	11.6	76	58.5	73	123.3	F03/F04	41	9	9	9 / 6
3/8"	12.5	76	58.5	73	123.3	F03/F04	41	9	9	9 / 6.6
1/2"	12.5	76	58.5	73	123.3	F03/F04	41	9	9	12.6 / 10.8
3/4"	16	86	72.1	74.3	123.3	F03/F04	44.3	9	9	16.2 / 12
1"	20	99.1	81.8	87	152	F04/F05	53.5	11	11	20.2 / 12.6
1 1/4"	25	117.4	94.7	92.7	152	F04/F05	59.2	11	11	25.8 / 19.8
1 1/2"	32	123.8	103.9	110.4	182	F05/F07	75.9	15	14	37.8 / 28.8
2"	38	148	125.5	118.6	182	F05/F07	84.1	15	14	63.6 / 50.4