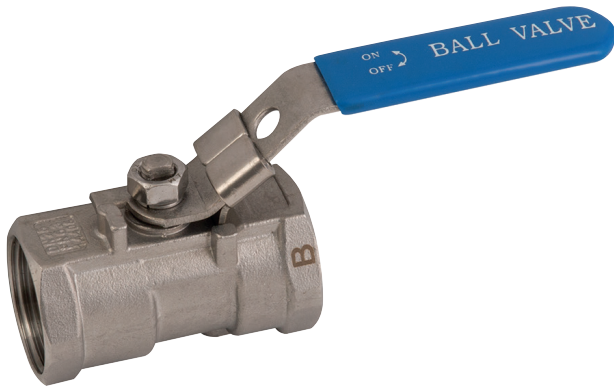
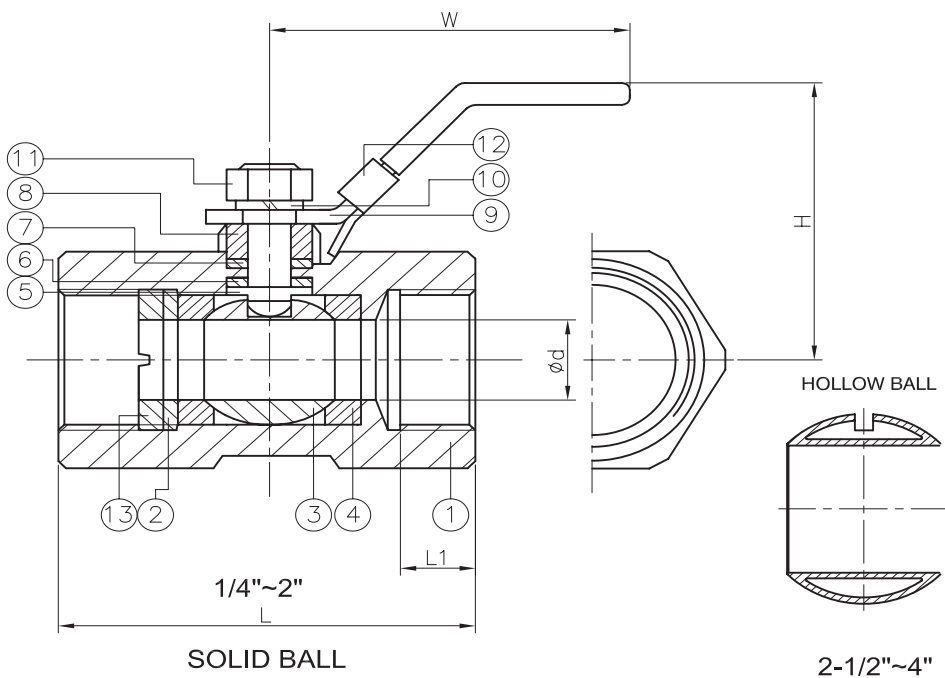


# 1 Piece Stainless Steel Ball Valve 2017FW



## Features

- 1/4" to 1 1/4" solid ball and 1 1/2" to 4" solid ball/hollow ball
- Reduced bore
- PTFE seats and seals
- Investment casting
- Blow-out proof stem
- Locking lever
- Working pressure: -20°C to 200°C
- Maximum working pressure: 63 bar



Items	Parts	Material
1	Body	SS 316
2	Retainer	
3	Ball	
4	Seat	PTFE / RTFE
5	Stem	SS 316
6	Thrust Washer	PTFE
7	Packing	
8	Gland	SS 304
9	Handle	SS 201
10	Washer	SS
11	Nut	A2-70
12	Locking Device	SS 201
13	Retainer Nut	SS 316

DN	8	10	15	20	25	32	40	50	65	80	100
D	5	7	9	12	15	20	25	32	38	49	65
L	40	44	54	57	67	76	81	95	125	150	191
L1	12	12	16	17	18	19	20	22	28	30	41
H	24	28	32	38	45	57	57	65	90	100	125
W	76	76	92	92	105	132	137	150	158	170	210
Weight (KG)	0.1	0.1	0.1	0.2	0.3	0.5	0.6	0.9	2.3	3.5	9.1