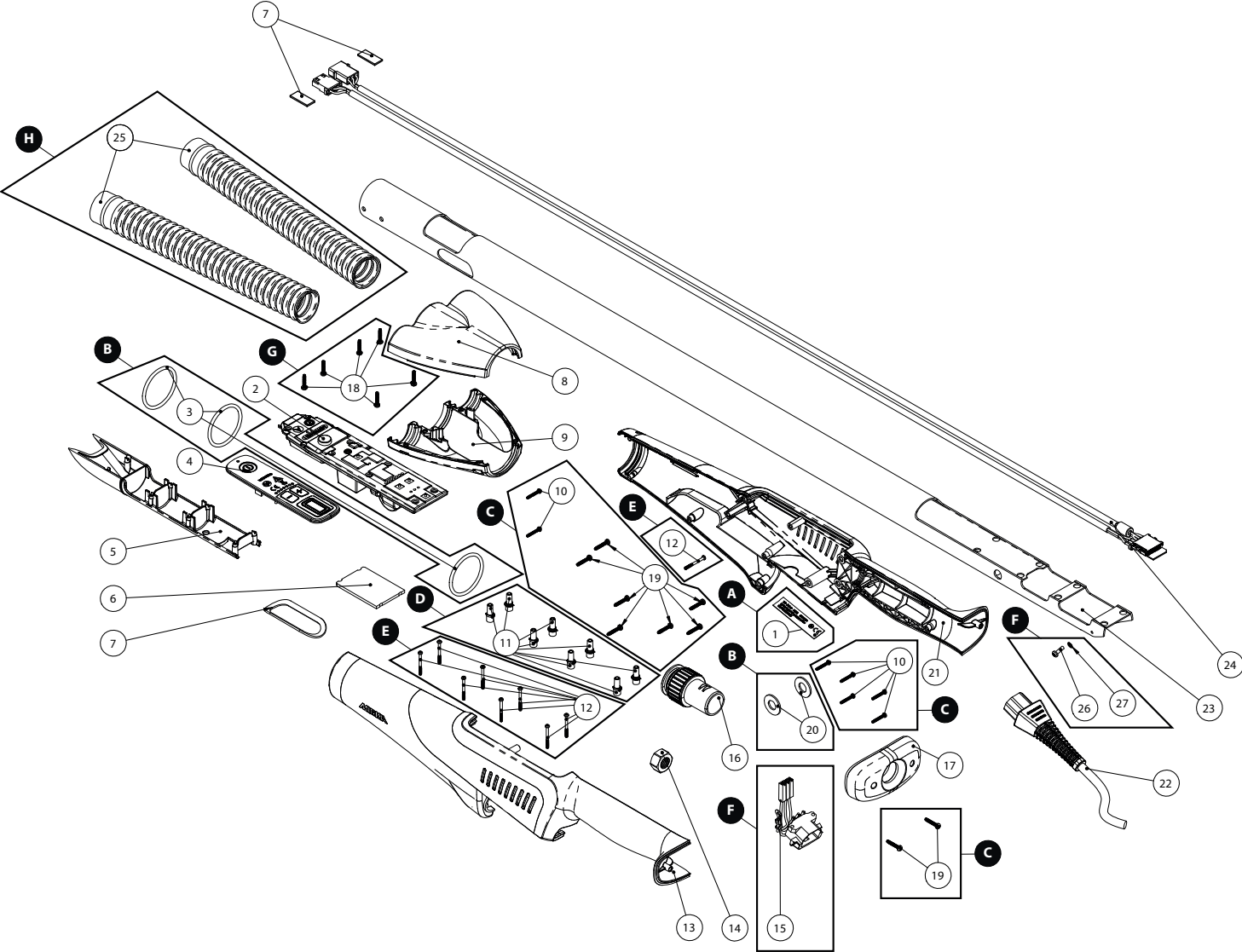


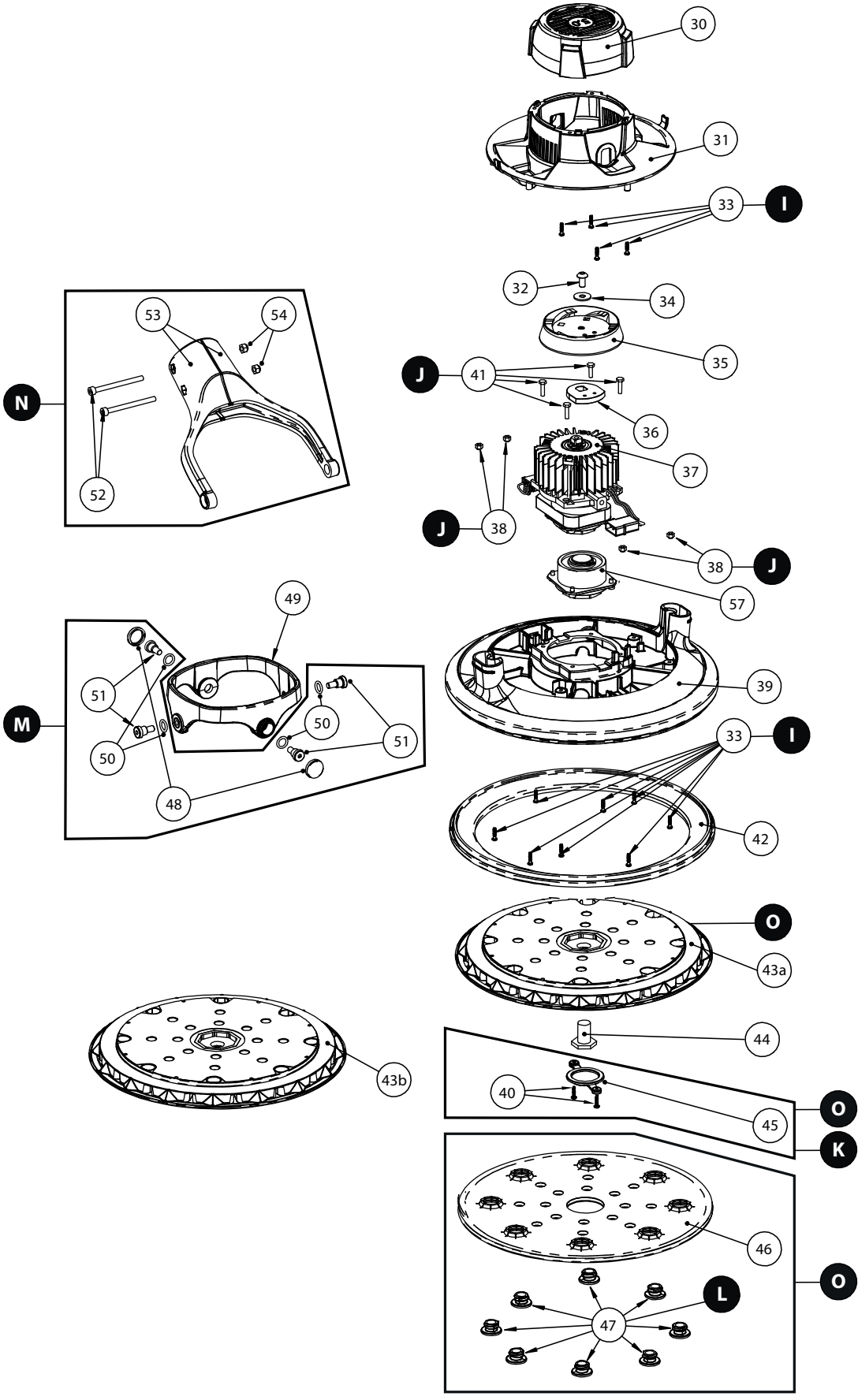
Exploded view of LEROS 225 mm (230 V) – Handle

Updated 06.04.2018



Exploded view of LEROS 225 mm (230 V) – Grinding head

Updated 08.10.2018



LEROS Spare part kits (220-240V)

Electrical tool must be serviced by a qualified repair person and in accordance with national requirements.

Note! Repairs done by non-authorized repairer will breach the Mirka warranty

Mirka code	Item	Description	Kit	Qty	Tightening torque
MIW9520111		Type Label Kit 220-240 V			
	1	Type Label 950 220-240 V	A	10	
MIW9520311		O-Ring Kit			
	3	O-ring 39,2 x 3,0	B	3	
	20	Rubber Washer		2	
MIW9521011		Handle Screw Kit			
	10	Screws STP 2,5x16 mm	C	7	0,8 Nm
	19	Screws 3x16 mm		9	1,4 Nm
MIW9521111		PCB Spacer Kit			
	11	PCB Spacer	D	8	
MIW9521211		PCB Screw Kit			
	12	Screws 2,5x25/10	E	9	0,8/0,5 Nm
MIW9521511		Power Socket Assembly Kit			
	15	Power Socket Assembly	F	1	
	26	Grounding Screw		1	0,8 Nm
	27	Star Washer M3		1	
MIW9521811		Screw Kit Y-Branch			
	18	Screws 3x14 mm	G	6	0,8 Nm
MIW9522511		Dust Hose Kit			
	25	Dust Hose	H	2	
MIW9523311		Screw Kit Fairing			
	33	Screws STS T25x10	I	12	0,8 Nm
MIW9523811		Screw Kit Motor			
	38	Lock Nut	J	4	1,4 Nm
	41	Screws M3x12 mm		4	
MIW9524011		Cover Cap Kit			
	40	Screw STS-PLUS KN6039 2,5x10-T8	K	2	0,8 Nm
	45	Cover Cap		1	
MIW9514711		Hole Screw Kit			
	47	Hole Screws	L	8	0,8 Nm

LEROS Spare part kits (220-240V)

Mirka code	Item	Description	Kit	Qty	Tightening torque
MIW9524811	Joint Screw Kit				
	48	Screw Caps	M	2	3 Nm / 5 Nm
	50	O-Ring		4	
51	Joint Screws M5 **	4			
MIW9515411	Joint Fork Kit				
	52	Screws M4x50	N	2	1,4 Nm
	53	Joint Fork		2	
54	Lock Nut	2			
MIW9536011	Screw Pad Conversion Kit				
	43a	Backing Pad 225mm (Screw mounting of interface)	O	1	0,8 Nm
	47	Hole Screws		8	
	40	Screw STS-PLUS KN6039 2,5x10-T8		2	
	45	Cover Cap		1	
46	Interface	1			

Separate spareparts on next page

LEROs Spare parts (220-240V)

Mirka code	Item	Description	Kit	Qty	Tightening torque
	1	Type Label 950 220-240 V	A	1	
MIW9510211 *	2	Speed Controller 230V *		1	
	3	O-rings 39,2 x 3	B	3	
MIW9510411	4	Button Plate		1	
MIW9510511	5	Dust Guide		1	
	6	Gap Filler 3 mm		1	
	7	1 Pipe Sealing + 2 foam dampers		1	
MIW9510811	8	Y-Branch Top		1	
MIW9510911	9	Y-Branch Base		1	
	10	Screws STP 2,5x16 mm	C	7	
	11	PCB Spacers	D	8	
	12	Screws 2,5x25/10	E	9	
MIW9511311	13	Handle Left		1	
	14	Nut M12		1	
	15	Power Socket Assembly	F	1	
MIW9511611	16	Hose Connector		1	
MIW9511711	17	End Cap		1	
	18	Screws 3x14 mm	G	6	
	19	Screws 3x16 mm	C	9	
	20	Rubber Washers	B	2	
MIW9512111	21	Handle Right		1	
MIE6516011	22	Mains Cable 4,3 m CE 230 V EU		1	
MIE6517011	22	Mains Cable 4,3 m CE 230V UK		1	
MIE6517411	22	Mains Cable 4,3 m CE 230 V CN		1	
MIE6517111	22	Mains Cable 4,3m CE 230V CH/BR		1	
MIE6517511	22	Mains Cable 4,3m CE 230V ANZ		1	
MIE9016011	22	Rewireable Mains Cable 4,3m CE 230V EU		1	
MIE9017011	22	Rewireable Mains Cable 4,3m CE 230V UK		1	
MIE9017111	22	Rewireable Mains Cable 4,3m CE 230V CH		1	
MIE9017511	22	Rewireable Mains Cable 4,3m CE 230V ANZ		1	
MIW9512311	23	Tube		1	
MIW9512411	24	Power and Signal Cable		1	
	25	Dust Hoses	H	2	
	26	Grounding Screw	F	1	
	27	Star Washer M3	F	1	
MIW9513011	30	Fan Cover		1	
MIW9513111	31	Fairing Cover		1	
	32	Screws M5x10		1	3 Nm
	33	Screws STS T25x10	I	12	
	34	Fan Washer		1	
MIW9513511	35	Fan		1	
	36	Dynamic Weight		1	
MIW9513711 *	37	Motor Assembly *		1	
	38	Lock Nuts	J	4	
MIW9513911	39	Fairing		1	
	40	Screw STS-PLUS KN6039 2,5x10-T8	K	2	
	41	Screws M3x12 mm	J	4	
MIW9514211	42	Break Seal		1	
MIW9514311	43a	Backing Pad 225mm(Screw mounting of interface)+ Screws		1	
MIW9564311	43b	Backing Pad 225mm Grip		1	
MIW9514411	44	Pad Screw		1	10 Nm

LEROS Spare parts (220-240V)

Mirka code	Item	Description	Kit	Qty	Tightening torque
	45	Cover Cap	K	1	
MIW9514611	46	Interface		1	
	47	Hole Screws	L	8	
	48	Screw caps	M	2	
MIW9514911	49	Joint Ring		1	
	50	O-Rings	M	4	
	51	Joint screws M5	M	4	
	52	Screws M4x50	N	2	
	53	Joint Forks	N	2	
	54	Lock Nuts	N	2	
MIW9525711	57	Spindle + Bearing Assembly		1	

* Spare parts only available to authorized repairers.

** See service instruction for torque.