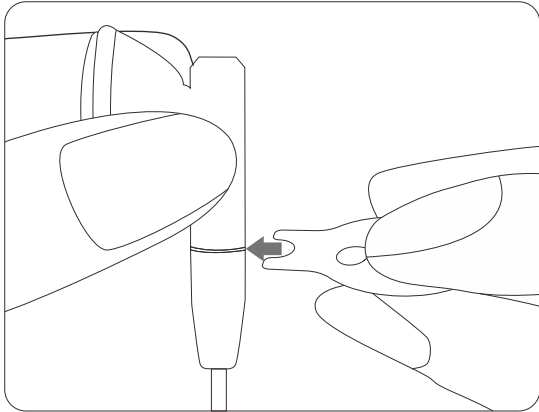




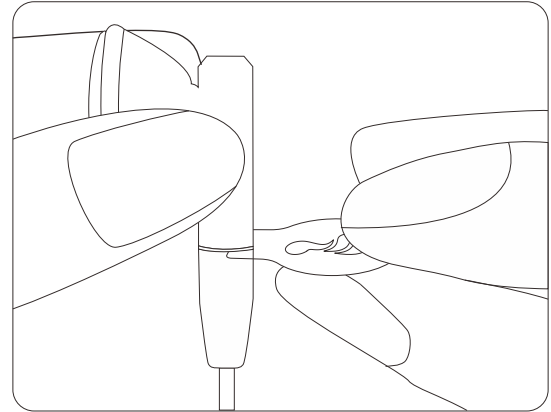
快速入门指南
Quick Start Guide

Operation Explained

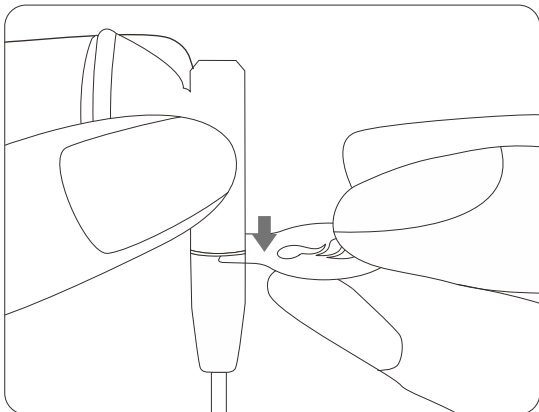
How to use the MMCX assist tool:



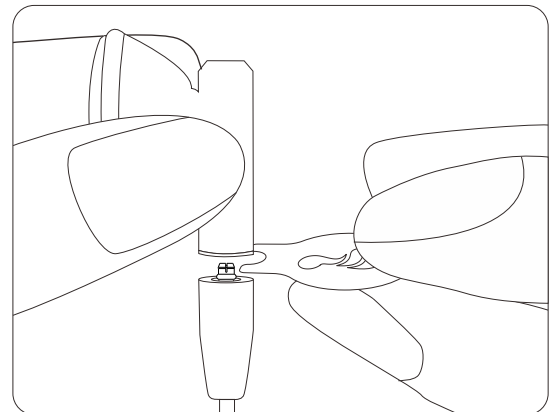
① Align the semi-circular indentation of the MMCX assist tool to the gap between the connector's male and female components.



② Ensure the tool is parallel to the gap and position it towards the gap between the connector's male and female components until it is in place.



③ Apply pressure by pressing down towards the other end of the tool.



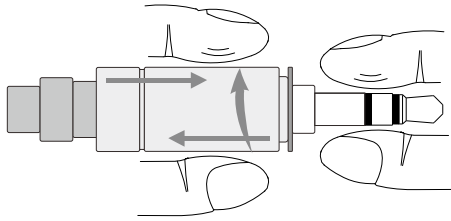
④ The earphone unit will then be detached from the earphone cable.

Notes:

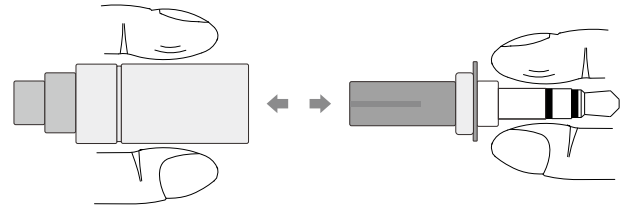
- ① Whether the accessory is included or the function is supported is subject to the actual product. The final interpretation and amendment are reserved by Guangzhou FiiO Electronics Technology Co., Ltd.
- ② The MMCX assist tool should only be used for FiiO's earphones.
- ③ As the MMCX assist tool is a metal product, it may have the possibility of bruising the earphones. Please be careful when using it.

How to Attach and Detach the Interchangeable Connector:

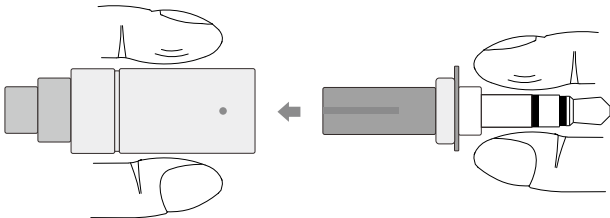
How to change the headphone plug?



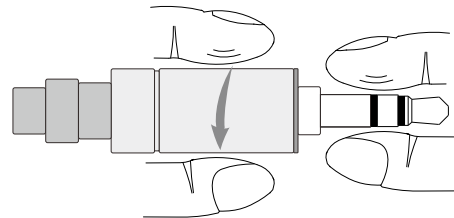
① Rotate the female end in a clockwise manner until the female end can be pushed front and back to unlock them.



② Pull the male end to detach the two connectors. (Objects that can generate greater friction like tissues or a strip of cloth can be used to help to detach.)



③ Align the male and female end of the connector, ensuring the notch of the male end is in parallel with the raised dot that's inside the female end. Plug the male end until it is in an appropriate position.

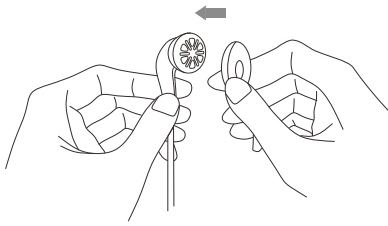


④ Rotate the female end in an anticlockwise manner until it is tight to lock them.

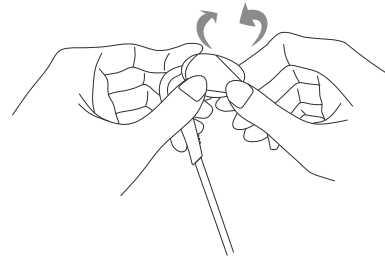
Note: Whether the accessory is included or the function is supported is subject to the actual product. The final interpretation and amendment are reserved by Guangzhou FiiO Electronics Technology Co., Ltd.

To Attach Foam Ear Tips

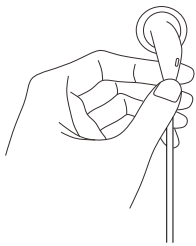
Here is the diagram instruction for attaching the ear tips.



① Ensure the ear tip and the earbud are in parallel with each other. Position the opening of the ear tip and the nozzle of the earbud to the same direction.



② Gently flip one side of the ear tip back and then press to keep it stable.



③ Flip the rest of the ear tip back until the entire ear tip fits around the earbud, adjusting to make it secure and comfortable.

Notes and Precautions

- ① For your safety, please avoid using earphones in dangerous environments.
- ② Please adjust the volume to a suitable level to protect your hearing.
- ③ Please do not place the device in humid or strong-magnetic environments for a long time.
- ④ If the earphones are to be left unused for a long time, please unplug it from the playing device.
- ⑤ Please do not disassemble the earphones on your own.

Authenticity Checking

- ① Scratch off the coating on the product package to get a 20-bit security code.
- ② Go to FiiO official website at www.fii.com. Click the 'Check Authenticity' icon in the upper-right corner, and then enter the 20-bit security code and 4-bit verification code. You will get the checking result after clicking the 'query' icon.
- ③ Checking results:

A. The security code entered proves the product is authentic.

The product you purchased is an authentic product from Guangzhou FiiO Electronics Technology Co., Ltd. Thanks for your support!

B. The security code entered proves the product is not authentic.

The product you purchased is not an authentic product from Guangzhou FiiO Electronics Technology Co., Ltd.

Warranty Terms and Conditions

Product types		Term of service
Earphone units		One month of guarantee for replacement; one year of free maintenance
Accessories except for the earphone units (subject to the official list)	Accessories	N/A
	Package materials (fragile parts like the packing box)	N/A
<p>Notes: The above guarantees start from the issue date of the invoice/receipt. These warranty terms are for reference only. For specific details, please refer to the warranty terms of our local sales agents.</p>		

Guangzhou FiiO Electronics Technology Co., Ltd reserves the final interpretation and amendment for the above warranty terms and conditions.

The warranty is null and void under the following circumstances.

- Defects or damage caused by improper operations such as vibrating, bumping, falling to the ground, buckling, tearing, excessive pulling.
- Defects or damage caused by disassembly of the product by user or unauthorized repair personnel.
- Defects or damage for being put in humid environments, high-intensity magnetic fields or soaked into water.
- Defects or damage caused by natural disasters.
- Unable to provide valid proofs of purchase.

Note: Man-made damage is determined by the judge of FiiO's maintenance personnel.

Procedures of Getting After-Sales Service

- ① Please contact the local dealer first once you find problems with the device. If they refuse to give related after-sales services, please give feedback to FiiO Support by sending an email to support@fiiocom. We would handle it properly to ensure customers' satisfaction.
- ② For repair service, you are supposed to send the defective product to FiiO with freight paid. After it has been repaired, we will send the product back to you with freight paid by FiiO.
- ③ It is highly suggested to buy from local authorized sales agents to get better, faster before- and after-sales services.
- ④ Please do not maintain or dismantle the product on your own and keep it away from water.
- ⑤ For abnormal working issues or any further questions, please visit our official website->Support to get related information or send an email to support@fiiocom for consultation.

Note: Due to continuous improvement, every specification and design is subject to change at any time without further notice.

Contact Information for After-Sales Service

E-mail: support@fiiocom

Web: <https://www.fiiocom>

Facebook: <https://www.facebook.com/FIIOAUDIO>

Hereby, Guangzhou FiiO Electronics Technology Co., Ltd declares that this device is in compliance with Directive 2014/30/EU. The full text of the EU declaration of conformity is available at: www.fii.com/doc



WEEE Directive & Product Disposal



At the end of its serviceable life, this product should not be handed as household or general waste. It should be handed over to the applicable collection point for the recycling of electrical and electronic equipment, or returned to the supplier for disposal.

Internal/Supplied Batteries

This symbol on the battery indicates that the battery is to be collected separately. This battery is designed for separate collection at an appropriate collection point.

This equipment has been tested and found to comply with the limits for a Class B digital device, pursuant to part 15 of the FCC Rules. These limits are designed to provide reasonable protection against harmful interference in a residential installation. This equipment generates, uses and can radiate radio frequency energy and, if not installed and used in accordance with the instructions, may cause harmful interference to radio communications. However, there is no guarantee that interference will not occur in a particular installation. If this equipment does cause harmful interference to radio or television reception, which can be determined by turning the equipment off and on, the user is encouraged to try to correct the interference by one or more of the following measures:

- Reorient or relocate the receiving antenna.
- Increase the separation between the equipment and receiver.
- Connect the equipment into an outlet on a circuit different from that to which the receiver is connected.
- Consult the dealer or an experienced radio/TV technician for help.

This device complies with part 15 of the FCC Rules. Operation is subject to the following two conditions: (1) This device may not cause harmful interference, and (2) this device must accept any interference received, including interference that may cause undesired operation.