

FiiO[®]

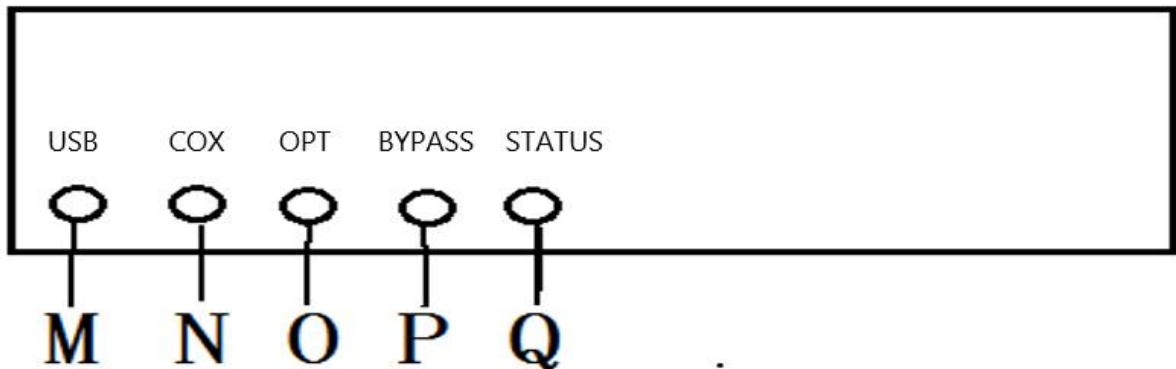
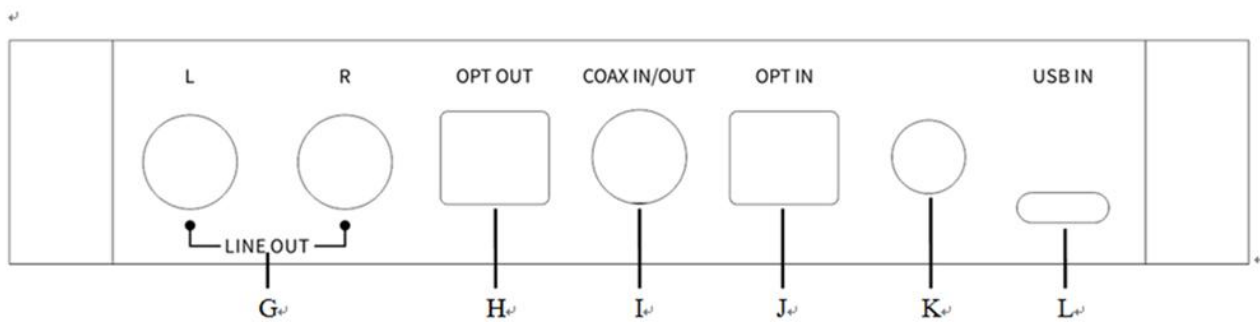
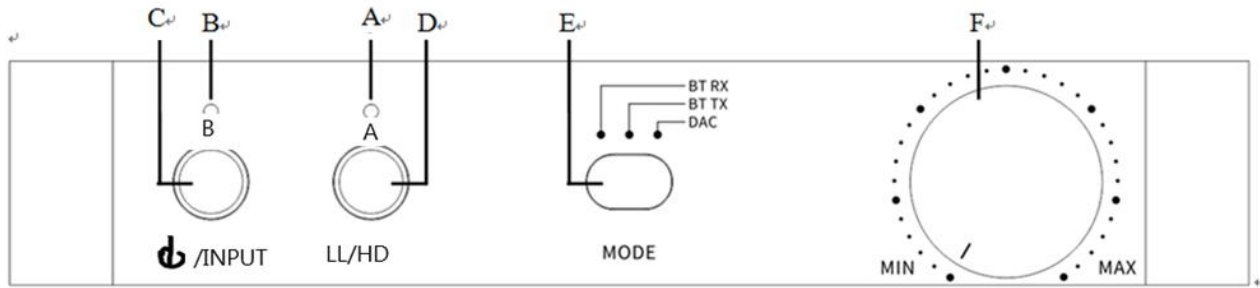
快速入门指南

Quick Start Guide



Model: BTA30 Pro

Buttons and Ports Labeled



<p>A. PAIR1 Bluetooth connection indicator light</p>	<p>B. PAIR2 Bluetooth connection indicator light</p>
<p>C. Power/Input source switch/ PAIR2 button</p>	<p>D. PAIR1/Pause/Bluetooth codec switch button</p>
<p>E. Bluetooth receiving/ transmitting/DAC mode switch</p>	<p>F. Volume knob</p>

G. Line out port	H. Optical output port
I. Coaxial input/output port	J. Optical input port
K. External antenna port	L. Power/Data port
M. USB input indicator light	N. Coaxial input indicator light
O. Optical input indicator light	P. BYPASS indicator light
Q. Bluetooth status/codec/ sampling rate indicator light	

Display of Indicator Light

Working modes	Bluetooth status/codec/sampling rate indicator light (Light Q)	Input source indicator light (Light M/N/O/P)	Bluetooth connection indicator light (Light A/B)
RX (Bluetooth receiving)	SBC: Blue light constantly on AAC: Cyan light constantly on aptX: Purple light constantly on aptX HD: Yellow	Light off	Bluetooth connected: Light A on

	<p>light constantly on</p> <p>LDAC: White light constantly on</p>		
<p>TX (Bluetooth transmitting)</p>	<p>SBC: Blue light constantly on</p> <p>aptX: Purple light constantly on</p> <p>aptX HD: Yellow light constantly on</p> <p>aptX LL: Green light constantly on</p> <p>LDAC: White light constantly on</p>	<p>USB in: Light M on</p> <p>Coaxial in: Light N on</p> <p>Optical in: Light O on</p> <p>BYPASS: Light P on</p>	<p>PAIR 1 connected: Light A on</p> <p>PAIR 2 connected: Light B on</p> <p>PAIR 1 & 2 both connected: Light A and B simultaneously on</p> <p>Note: PAIR 1 is prior for first-time connection as default</p>
<p>DAC</p>	<p>Power on yet unconnected: Blue light flashes twice every 2 seconds</p> <p>Connected yet not playing music: Blue</p>	<p>USB in: Light M on</p> <p>Coaxial in: Light N on</p> <p>Optical in: Light O on</p>	<p>Light off</p>

	light flashes every 3 seconds Sampling rate \leq 48kHz: Blue light constantly on Sampling rate $>$ 48kHz: Yellow light constantly on DSD: Green light constantly on	BYPASS: Light P on	
--	--	-----------------------	--

Operation Instruction

Power on: Short press button C after connecting the BTA30 Pro to a power supply.

Power off: When the BTA30 Pro powers on, hold button C for about 5s until all indicator lights turn off.

Play/Pause: In RX mode, short press button D.

Factory data reset/Clear pairing: When the BTA30 Pro powers on and not in pairing state (in RX/TX/DAC mode), hold button C+D for about 5s at the same time.

Force a pairing: When the BTA30 Pro powers on and in RX/TX mode, hold button C or D for about 3s until Light Q flashes alternately in red and blue.

Reconnecting state: Light Q will fast flash 2 times in blue every 2 seconds.

Input source switch: When the BTA30 Pro powers on and in TX/DAC mode, short

press button C to switch the input source.

Bluetooth codec switch: when the BTA30 Pro is in TX mode and connected to a Bluetooth device, short press button D to switch the Bluetooth codec.

Connecting state: if PAIR1 is connected, Light A will be on; if PAIR2 is connected, Light B will be on; if PAIR1 and PAIR2 are connected at the same time, Light A and B will be simultaneously on.

aptX LL First

In TX mode, double press button D after the device is connected, so to enable aptX LL First. Under this state, other Bluetooth codecs will be disabled except for aptX LL and SBC.

Double press button D again to disable aptX LL First. Light Q will stay constantly on following the corresponding Bluetooth codec after the device is reconnected. At this time, all supported codecs will be enabled. Short press button D to successively switch the codec.

How to connect the BTA30 Pro to two Bluetooth devices simultaneously

RX (Bluetooth receiving): first connect the BTA30 Pro to Device 1, and hold PAIR1 for about 3s to enter the pairing mode again. On Device 2, search for "BTA30 Pro" and complete the connection. Back to Device 1, select "FiiO BTA30 Pro" in the Bluetooth device list and complete the reconnection. You could also restart the BTA30 Pro after a successful pairing with Device 2, so the BTA30 Pro can be connected to two Bluetooth devices simultaneously.

TX (Bluetooth transmitting): connect the BTA30 Pro to the Bluetooth receiving device, Device 1 (PAIR1 is prior as default), and hold button C for about 3s to enter the pairing state again. The BTA30 Pro will automatically search for Device 2 and start to pair with it.

Note: When working in LDAC and aptX LL codec in TX mode, the BTA30 Pro cannot be connected to two Bluetooth devices simultaneously.

Audio Input/Output and their Priority

●Bluetooth receiving (RX):

Smart devices can be connected to the BTA30 Pro through Bluetooth and output audio through its line-out, coaxial output and optical output port.

Output priority: line out, coaxial output and optical output can all work at the same time.

●Bluetooth transmitting (TX):

Input priority: short press button C to switch the input source.

Transmitting: the BTA30 Pro can be connected to Bluetooth receiving devices such as the FiiO BTR5 and BTR3K. Audio can be input to the BTA30 Pro through its USB input, coaxial input and optical input port.

BYPASS mode: after inputting audio to the BTA30 Pro through the optical input port, the audio signal can be transmitted to Bluetooth headphones. Meanwhile, it can also be connected to a speaker through the optical/coaxial output port.

●DAC mode:

Input priority: short press button C to switch the input source.

Output priority: 1) USB DAC in: line out, coaxial output and optical output can all work at the same time.

2) Coaxial in: line out will work.

3) Optical in (not BYPASS mode): line out will work

4) Optical in (BYPASS mode): line out, coaxial output and optical output can all work at the same time.

Note: UAC 2.0 is supported. When connecting the BTA30 Pro to a Windows computer for the first time, please go to our website to download the USB DAC driver and follow the corresponding instruction to install it, so to enable the USB DAC function.

For MAC computers, it runs driver-free.

Download link: <http://www.fiiio.com/supports>

Notes and Precautions

★It is recommended to charge the device with a standard 5V charger.

★Please do not place the device in environments of excessive high/low temperatures (above 45°C or below 0°C).

★Please keep the device away from liquids so to avoid any damage to it.

★Please adjust the volume to a suitable level before wearing headphones so to protect your hearing.

★If the device shows an error, please try to unplug and then re-plug the USB cable, and short press the power button to turn it on and to restore it to normal operation.

Lists of Items Included

BTA30 Pro

RCA cable

Type-C USB cable

Quick start guide

Warranty card

Foot pad

Learn More

To learn more about the product, please visit our website: www.fiio.com

For related product service, please visit <https://www.fiio.com/supports>

WEEE Directive & Product Disposal



At the end of its serviceable life, this product should not be handed as household or general waste. It should be handed over to the applicable collection point for the recycling of electrical and electronic equipment, or returned to the supplier for disposal.

Internal/Supplied Batteries:

This symbol on the battery indicates that the battery is to be collected separately. This battery is designed for separate collection at an appropriate collection point.

Qualcomm is a trademark of Qualcomm Incorporated, registered in the United States and other countries. aptX is a trademark of Qualcomm Technologies International, Ltd., registered in the United States and other countries.