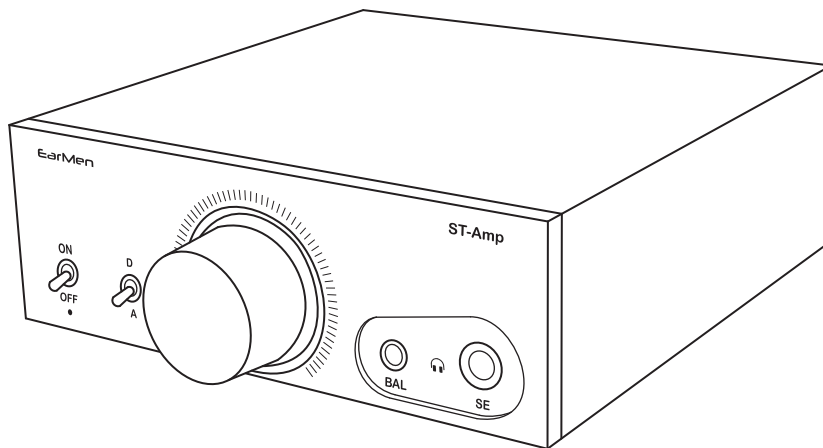




EarMen

ST-Amp

Desktop Headphone Amplifier / DAC / Pre Amplifier



USER MANUAL

MUSIC WITHOUT LIMITS

TABLE OF CONTENTS

- 1.0 Introduction
- 2.0 Package content
- 3.0 Important safety instructions
- 4.0 Front Panel
- 5.0 Back Panel
- 6.0 Installation
- 7.0 Operation
- 8.0 Specifications
- 9.0 Troubleshooting
- 10.0 Warranty
- 11.0 Note

1.0 INTRODUCTION

Welcome to EarMen Family.

EarMen ST-Amp is a Fully Balanced Desktop Headphone Amplifier with the Pre Amp option and integrated DAC.

The ST-Amp amplifier has an excellent sound, whether it is listened to from an integrated DAC or an external, which is great news for all those who want to have everything in one device.

Please take a short time to read the information in this manual. We want you to be as familiar as possible with all the features and functions of EarMen ST-Amp.

2.0 PACKAGE CONTENT

EarMen ST-Amp
User manual

Retain the packing materials for future use. Retain the user manual and information concerning the date and place of purchase of your equipment for further reference.

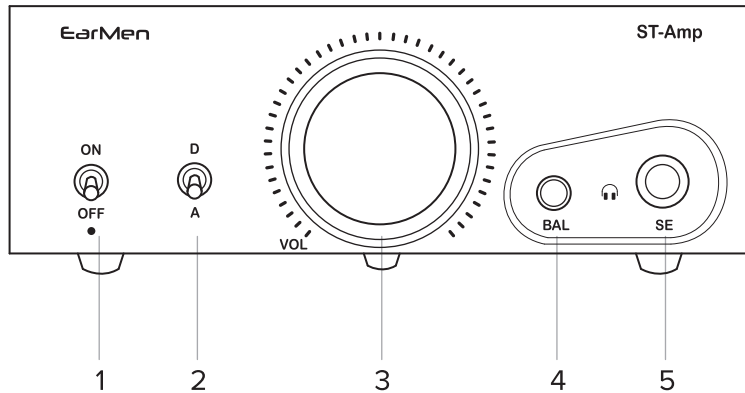
3.0 IMPORTANT SAFETY INSTRUCTIONS

- Please read these instructions carefully before commencing installation. They provide full guidance to help you install your streamer safely and correctly.
- Keep these instructions.
- Heed all warnings.
- Follow all instructions.
- Clean only with dry cloth. Unplug this product from the mains before cleaning.
- Do not install near any heat sources such as radiators, heat registers, stoves or any other apparatus that produce heat.
- Do not use this product near water.
- Do not defeat the safety purpose of the polarized or grounding-type plug. USA and Canada only: A polarized plug has two blades with one wider than the other. A grounding type plug has two blades and a third grounding prong. The wide blade or the third prong are provided for your safety. If the provided plug does not fit into your outlet, consult an electrician for replacement of the obsolete outlet.
- Protect the power cord from being walked on or pinched, particularly at plugs, convenience receptacles, and the point where they exit the apparatus.
- Only use attachments/accessories specified by the manufacturer.
- Unplug this apparatus during lightning storms or when unused for long periods of time.
- Refer all servicing to qualified service personnel. Servicing is required when the apparatus has been damaged in any way, such as power-supply cord or plug is damaged, liquid has been spilled or objects have fallen into the apparatus, the apparatus has been exposed to rain or moisture, does not operate normally, or has been dropped.
- **WARNING:** To reduce the risk of fire or electric shock, this apparatus should not be exposed to rain or moisture and objects filled with liquids, such as vases, should not be placed on this apparatus.
- To completely disconnect this equipment from the mains, disconnect the power supply cord plug from the receptacle
- The mains plug of the power supply cord shall remain readily operable.



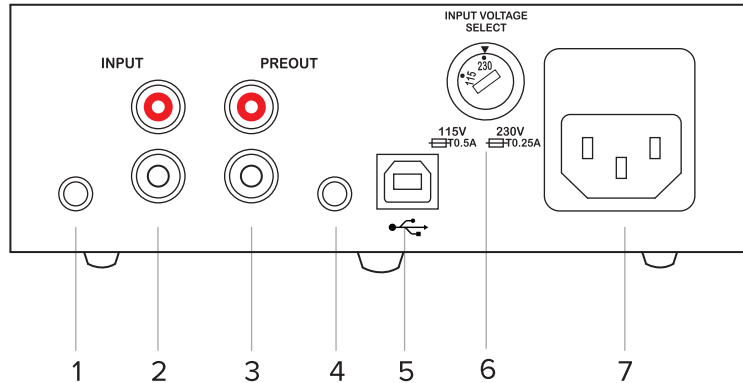
- **ATTENTION:**
This lightning flash with arrowhead symbol within an equilateral triangle is intend to alert the user to the presence of non-insulated "dangerous voltage" within the product's enclosure that may be sufficient magnitude to constitute a risk of electric shock. Unauthorized personnel must not open this unit.
- The unit must be mounted on a solid, level and stable surface.
- Before you connect the device to AC mains power, ensure your AC mains voltage corresponds to the product.

4.0 FRONT PANEL



1. On/Off Switch
2. Digital / Analog Switch
3. Volume knob
4. Headphone Balanced 4.4mm Output
5. Headphone SE 6.3mm Output

5.0 BACK PANEL



1. Balanced Input 4.4 mm
2. RCA Input
3. RCA Pre Output
4. Balanced Pre Output 4.4 mm
5. USB DAC Input
6. Input Voltage Selector
7. Power Cord Inlet

6.0 INSTALLATION

EarMen ST-Amp Headphone Amplifier / DAC / Pre Amplifier has a selection of different inputs and outputs. Locate and connect your ST-Amp inputs on the back with your source device. Also connect the outputs of the ST-Amp with your favorite Headphones and enjoy!

Feel free to contact the EarMen Customer Service department for any further questions or for additional assistance at support@earmen.com

7.0 OPERATION

7.1. Switching On and Off

- Please use On/Off Switch

7.2. Digital / Analog Source select

- To select different source inputs, please use the Switch button on the front panel:

A – Analog

D - Digital

7.3. Analog Source

- When analog input is selected, the device automatically select balanced or SE input
- When the balanced input is connected, then the SE input becomes inactive - to listen to music from the SE input, it is necessary to remove the jack from the BAL input.

7.4 Digital Source

- If you want to connect DAC, select Digital input, and connect it to one of the supported OS: WIN10, WIN11, Android, MAC, iOS.

7.5. Pre Out

- On the back panel of the device we have SE and BAL Pre-Out outputs where the signal can be adjusted with a potentiometer on the front panel (Volume knob). This option allows the user to use the ST-Amp as a DAC and preamplifier for a much more powerful system.

7.6. Headphone Output

- Only one output can be active. To listen to music on the balanced output, there must be nothing connected to the SE output.

7.7 Input Voltage Selector

- Check if the voltage is suitable for your current voltage

8.0 SPECIFICATIONS

Inputs	RCA Single End Input
	Balanced 4.4 mm Input

Headphone Outputs	SE 6.35mm
	Balanced 4.4mm

Pre Outputs	RCA (SE output)
	Balanced 4.4mm

DAC	ES S 9280
-----	-----------

Audio formats	
DSD	64 / 128 DoP
DXD	384/352.5 kHz
PCM	Up to 384 kHz

	SE in/DAC in -SE out	SE in - BAL out	BAL in - SE out	BAL in - BAL out
Input	2V	2V	4V	4V
Output	4V [0.5W at 32 Ohm]	7.75V [1.85W at 32 Ohm]	4V [0.5W at 32 Ohm]	7.75V [1.85W at 32 Ohm]
THD+N	0.0025%	0.003%	0.0025%	0.002%
SNR [A -W]	>117dB	>121dB	>118dB	>125dB
Dynamic Range	>117.9dB	>121dB	>118dB	>126dB
Freq. response	±0.003dB	±0.007dB	±0.003dB	±0.006dB

Dimensions LxHxW	170x30x150 mm / 6,69"x1,18"x5,90"
Weight	1100 gr / 2,42lbs

9.0 TROUBLESHOOTING

If you experience any trouble with your EarMen ST-Amp, contact us on: support@earmen.com

9.1. There is no power

- ensure the AC power cord is connected properly
- ensure the plug is fully inserted into the wall socket
- ensure the wall socket is working properly

9.2. There is no sound

- check the source component is properly connected
- check your system/speakers are properly connected (if you use the ST-Amp as a DAC only)
- check that your computer's sound output is set to USB (if you are using computer)

9.3. There is no sound on one channel

- check the headphon connections
- check the interconnects

10.0 WARRANTY

Product you have purchased is designed to give you enjoyment in your favorite music. However it is possible that the failure occurs even at this precise-made, high quality equipment. In this case, please read the enclosed warranty carefully which contains rights, limitations, exclusions and obligation.

EarMen LLC warranty terms and condition

- Please register your product within 30 days of purchase, otherwise the warranty will not apply.
- EarMen products come with a two years limited warranty against defects in materials and workmanship.
- Guarantee service is available only in the region/country of original sale
- The guarantees start from the invoice-issue date
- Original invoice must be produced for the authentication prior to any warranty claim.
- Warranty is provided to the original owner only and is not transferable to any third party.
- The warranty does not cover:
 - (a) if the EarMen product is stored in a humid environment
 - (b) which has not been maintained in accordance with any operating or handling instructions provided by EarMen LLC
 - (c) which has been used other than in accordance with the product operating and handling instructions
 - (d) any service or modification performed by an unauthorized person or company
 - (e) any product not purchased from EarMen or an a EarMen Authorized Partner
 - (f) repair work performed by the end user or any non-authorized repair center.
 - (g) normal wear tear and cosmetic damage
 - (h) product sold "as is", "as seen"
 - (i) connected equipment
 - (j) personal injury
- The limited warranty applies to the battery and is valid for 6 months (if any)
- EarMen will during the warranty period repair the product to working order or if this is not possible, EarMen will be replaced the product with the same one or the similar available product.
- Any parts/device that are replaced will become the property of EarMen
- After the warranty period, all the repairs and shipping cost will be charged to the owner.
- Any repair or replacement under this warranty will not extend the prior of warranty.

11.0 NOTE

If you have any question, contact us at: sales@earmen.com

For more visit earmen.com

This product should not be disposed with your household waste.

This product should be handed over to a designated collection point to be recycled.



EarMen LLC
Chicago, IL, USA