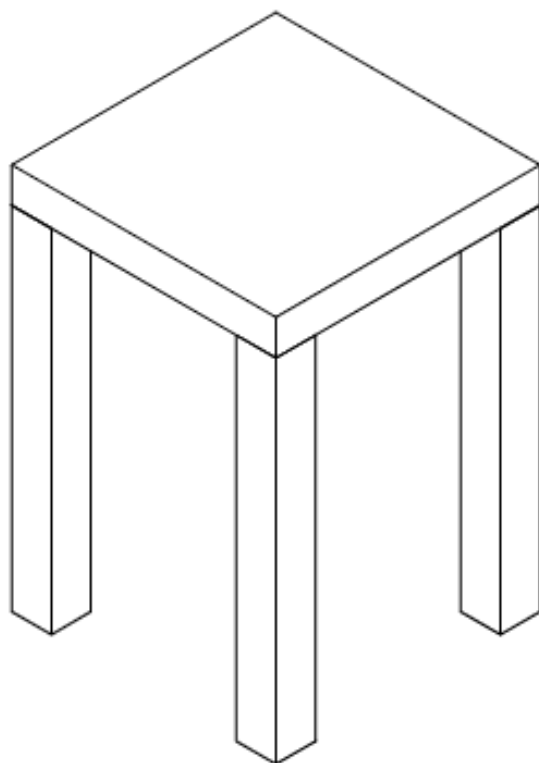


DIY Series

Introducing our very first D.I.Y. series - flatpack solid wood furniture. *Timber Actually* initiated this series with the intention to make solid wood furniture as accessible as possible for every household. Various parts can be mixed and matched to form different furniture pieces that are suited to the different needs of your dream home. It is also easy to assemble with basic tools and easy-to-follow instructions.

The flatpack solid wood furniture is designed to offer you a stable platform by using 100% sustainable source of solid wood material from Singapore local tree. The fabrication process of the furniture also adopts techniques that minimizes wastage, giving rise to a very affordable rate!

iSTOOL



The iStool can be used in a wide range of settings, including homes, offices, cafes, bars, restaurants, or any other places where additional seating is required. It can serve as a standalone seat or be paired with table to accommodate to various preferences and styles ranging from traditional to modern minimalist.

Dimension:

Seat base thickness: 40mm

Width & Length: 300mm x 300mm / 350mm x 350mm

Height: 240mm / 340mm / 440mm (including seat top)

Assembly Options

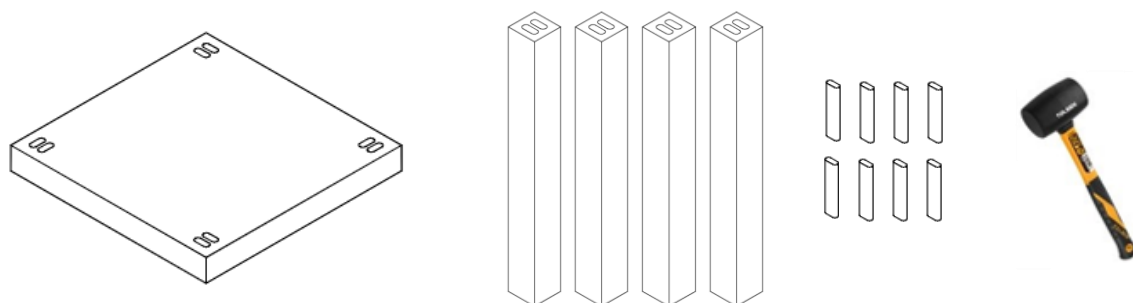
Pre-Assemble - You will receive finished product, QC by us including glue applied, touch-up of any defects. No warranty for wear & tear.

DIY/Self-Assemble - You will receive material parts in loose including rubber pad which allowed you to assemble by yourself. Please purchase with a rubber mallet if you do not have one. No warranty for wear & tear during or after assembly.

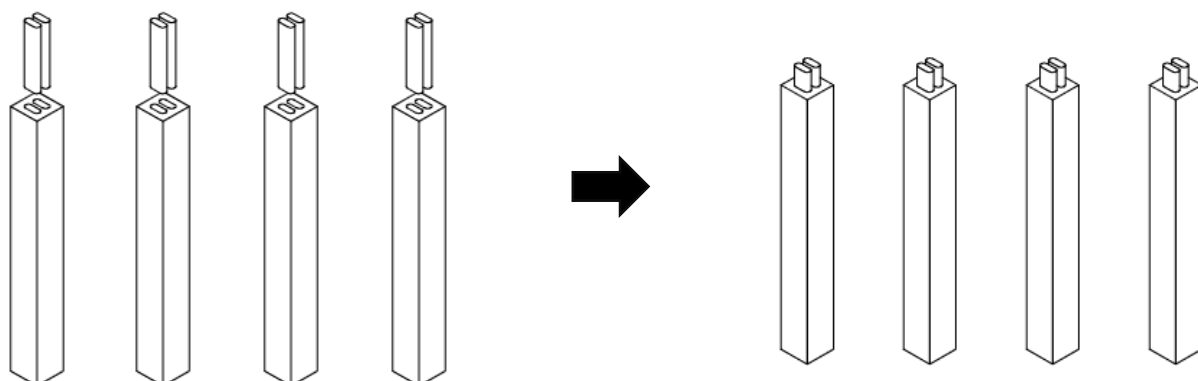
Assembly Instructions

[Download link](#)

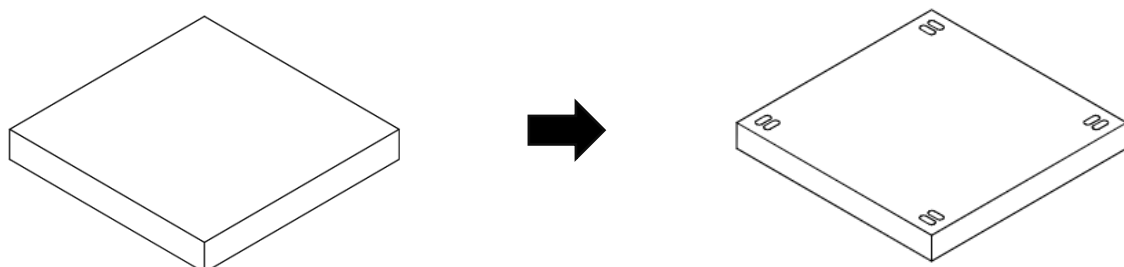
Assembly Manual



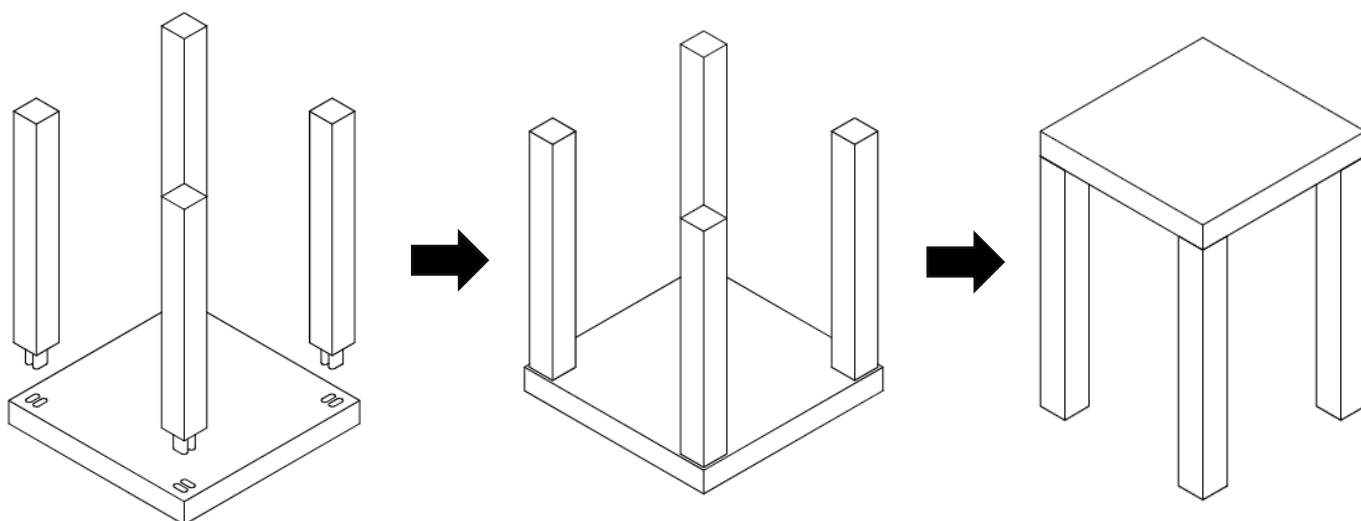
① Gather all parts & accessories needed.



② Insert dominos into legs by using a mallet.
(Safety Note: Beware of hitting your fingers)



③ Place seat top upside down (domino holes facing upwards).



④ Join the legs with seat top and hammer with mallet till fit.
Turn upside down, your self-assembly flat-pack stool showed up!

⚠ CAUTION



DO NOT STAND ON SQUARE STOOL

Do not stand on the stool to avoid falling hazard. Stools are designed to provide support and stability when sitting, and standing on them can disrupt their intended function.



BEWARE OF HITTING FINGERS

Be cautious, focus and avoid distractions while building your stool.



DO NOT ROCK OR SIT ON TWO LEGS

Use in stable and balance manner. Incorrect way of sitting on stool can lead to instability and risk of the stool tipping over or even break the stool legs.