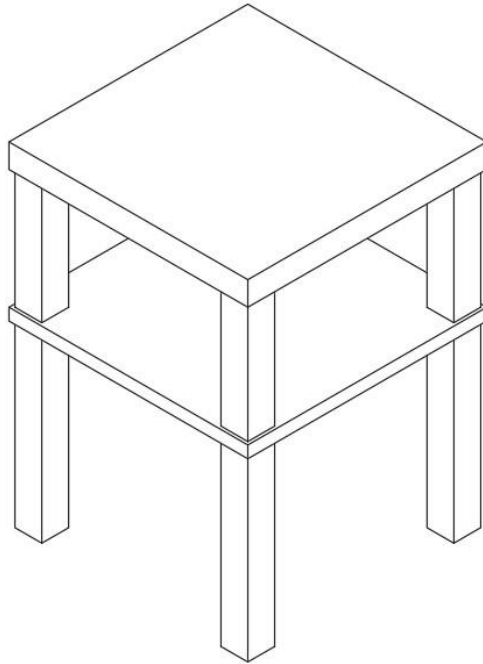


DIY Series

Introducing our very first D.I.Y. series - flatpack solid wood furniture. *Timber Actually* initiated this series with the intention to make solid wood furniture as accessible as possible for every household. Various parts can be mixed and matched to form different furniture pieces that are suited to the different needs of your dream home. It is also easy to assemble with basic tools and easy-to-follow instructions.

The flatpack solid wood furniture is designed to offer you a stable platform by using 100% sustainable source of solid wood material from Singapore local tree. The fabrication process of the furniture also adopts techniques that minimizes wastage, giving rise to a very affordable rate!

SAVANNA SIDE TABLE



The Savanna Side Table is a petite powerhouse of utility, allowing for an all-encompassing usage. It is minimalistic yet impactful, adding a touch of elegance to any setting, ranging from homes to offices and more! It can serve as a bedside table, or a stable platform to place your belongings at work.

Dimension:

Top thickness: 40mm

Tier Leg Height: 200mm

Tier Board thickness: 20mm

Width & Length: 280mm x 300mm / 400mm x 400mm

Table Leg Height: 80mm / 200mm / 300mm / 400mm (Total Height: 340mm / 460mm / 560mm / 660mm)

Assembly Options

Pre-Assemble - You will receive finished product, QC by us including glue applied, touch-up of any defects. No warranty for wear & tear.

DIY/Self-Assemble - You will receive material parts in loose including rubber pad which allowed you to assemble by yourself. Please purchase with a rubber mallet if you do not have one. No warranty for wear & tear during or after assembly.

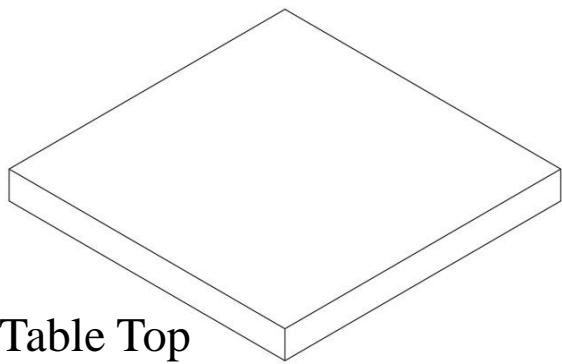
Buy accessories here

[Link to Tools Website page](#)

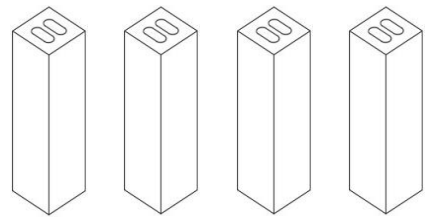
Assembly Instructions

[Download link](#)

Assembly Manual

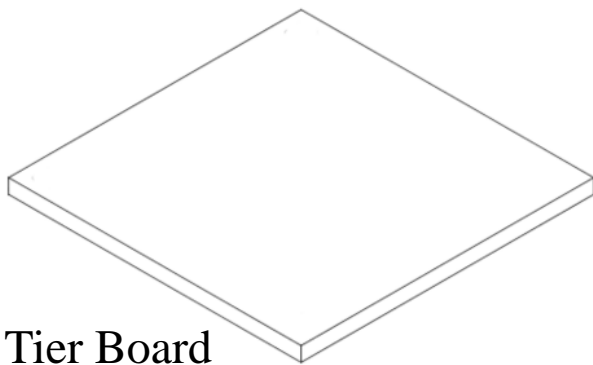


40mm Table Top



Tier Legs

45mm x 45mm x 200mm



20mm Tier Board

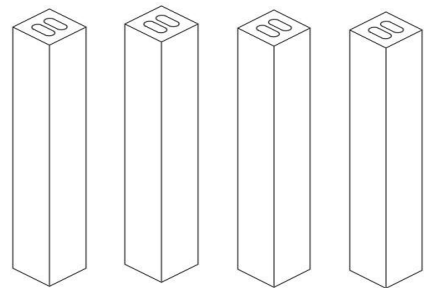
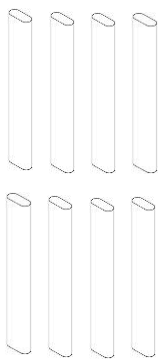
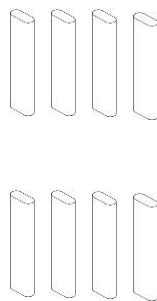


Table Legs (Bottom)



155mm Domino
(for Side Table Legs)

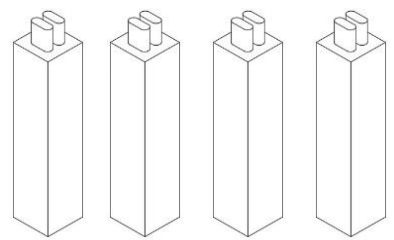
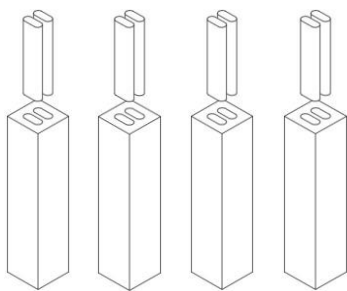


95mm Domino
(for Side Table Top)



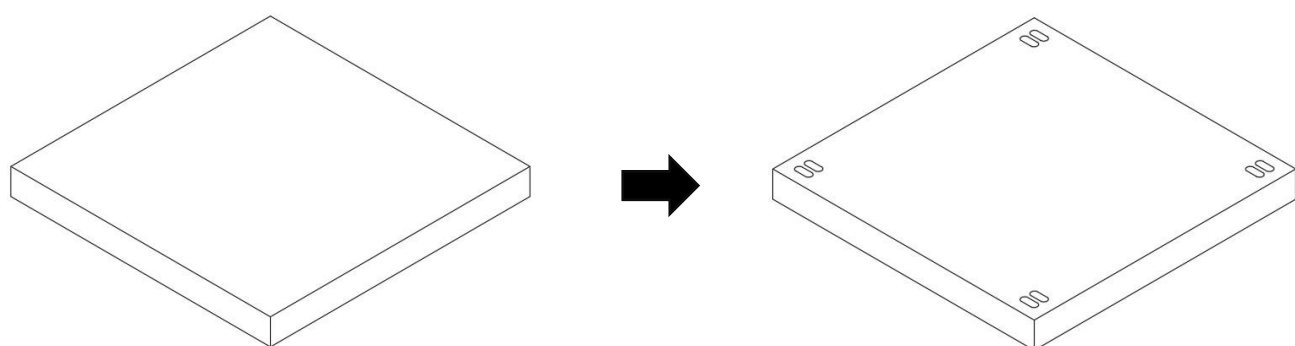
Rubber Mallet

① Gather all parts & accessories needed.

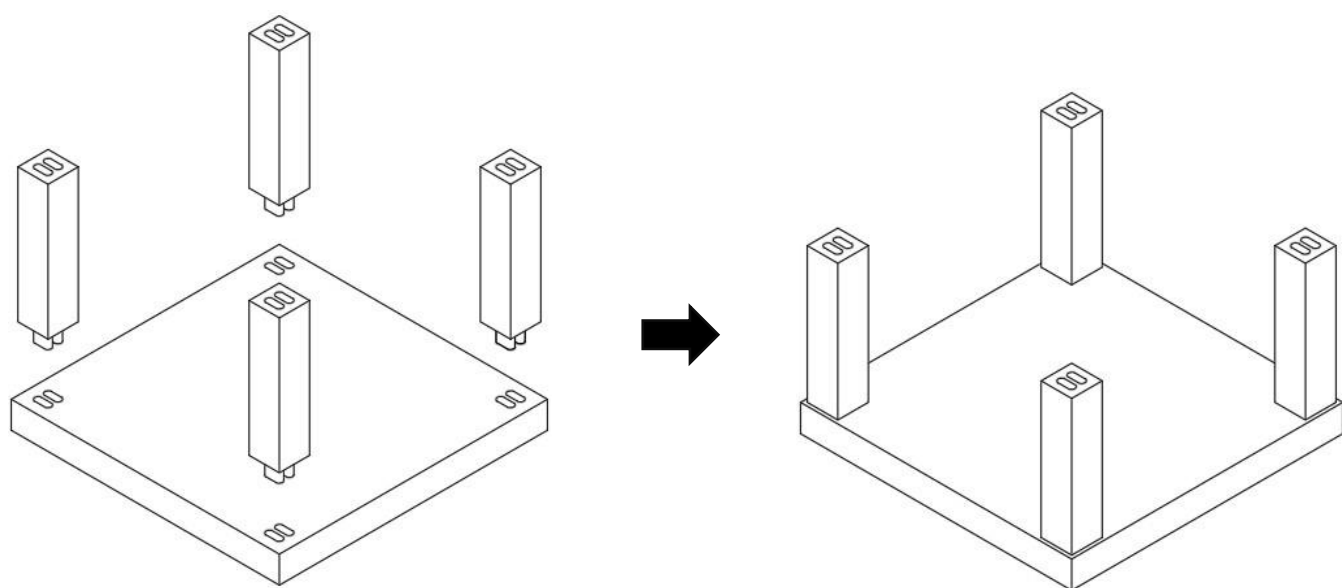


② Insert 95mm dominos into table tier legs by using a rubber mallet.
(Safety Note: Beware of hitting your fingers)

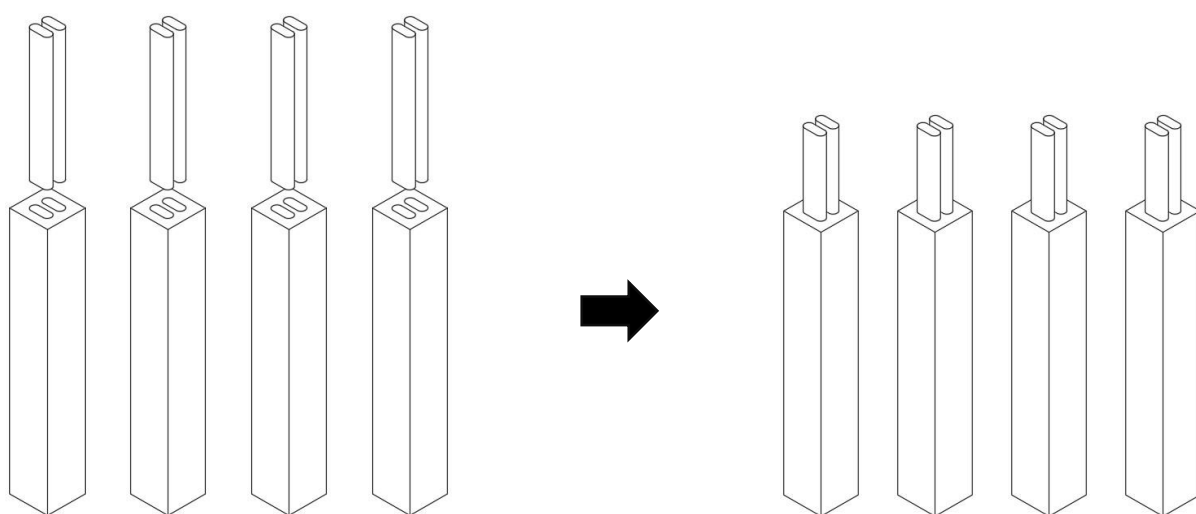
Assembly Manual



③ Place table top upside down (domino holes facing upwards).

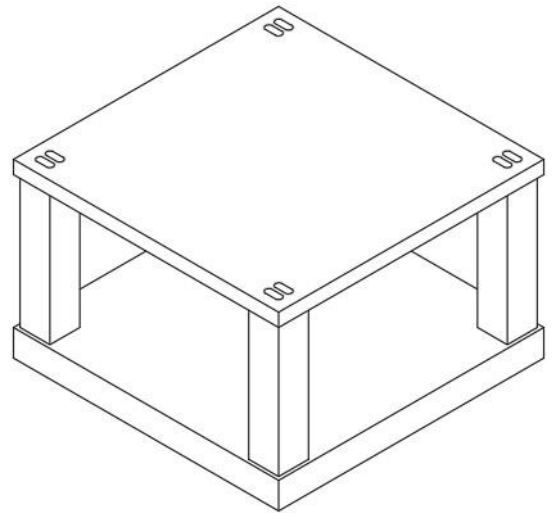
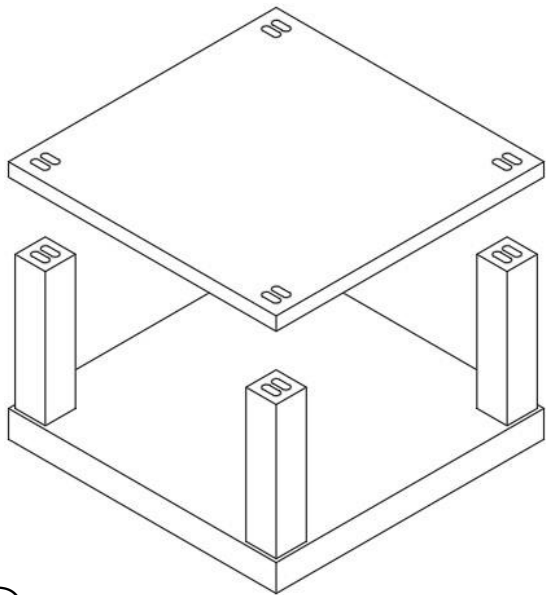


④ Join the side table tier legs with table top and hammer with rubber mallet till fit.

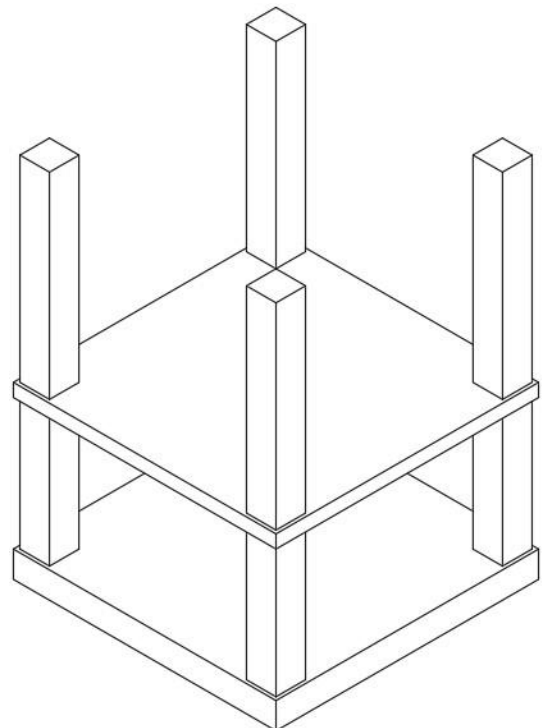
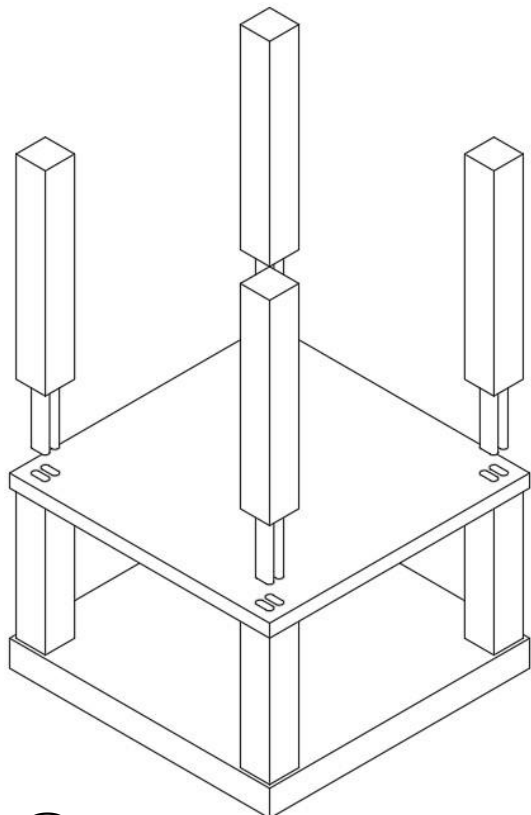


⑤ Insert 155mm dominos into side table legs by using a rubber mallet. (Safety Note: Beware of hitting your fingers)

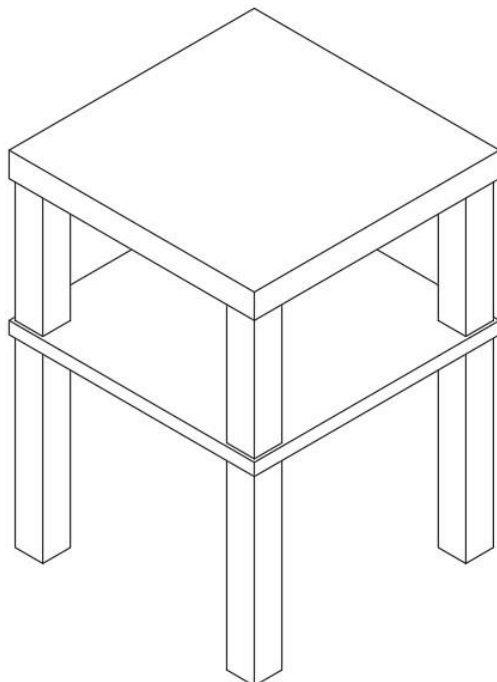
Assembly Manual



⑥ Place 20mm tier board on top of the tier legs to align domino holes.
(Note: Do not hammer or hit on 20mm boards to avoid crack or break it)



⑦ Join table legs, tier board and tier legs all together with rubber mallet till all fit.



⑧ Turn the side table upside down, your self-assembly flat-pack Savanna Side Table showed up!

⚠ CAUTION



DO NOT STAND ON TABLE SURFACE

Do not stand on the product to avoid falling hazard. Side table is designed for placing objects. Standing on them can disrupt their intended function.



BEWARE OF HITTING FINGERS

Be cautious, stay focus and avoid distractions while building your side table.



NO SITTING ON TABLE

Use side table in a stable and balance manner. Only place side table in correct position on flat and stable surfaces. Incorrect way of using the side table can lead to risk of it tipping over or even falling on you.



DO NOT HIT ON 20MM WOOD BOARD

Direct hit on 20mm wood board may caused the joint or the wood surface to crack.