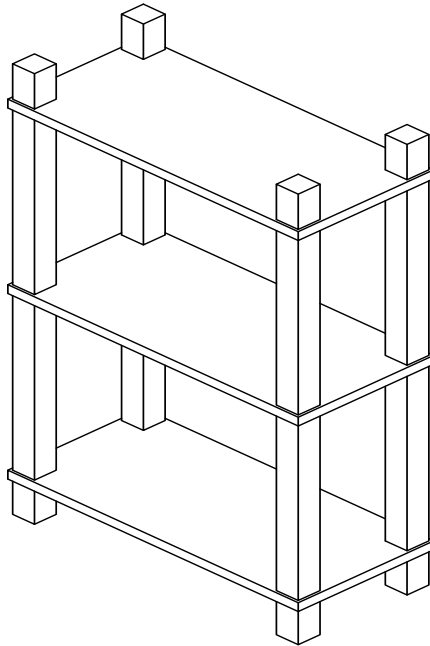


DIY Series

Introducing our very first D.I.Y. series - flatpack solid wood furniture. *Timber Actually* initiated this series with the intention to make solid wood furniture as accessible as possible for every household. Various parts can be mixed and matched to form different furniture pieces that are suited to the different needs of your dream home. It is also easy to assemble with basic tools and easy-to-follow instructions.

The flatpack solid wood furniture is designed to offer you a stable platform by using 100% sustainable source of solid wood material from Singapore local tree. The fabrication process of the furniture also adopts techniques that minimizes wastage, giving rise to a very affordable rate!

Riviera Rack



The Riviera Rack embodies a minimalist design while offering style and functionality. With its multi-level shelves, it presents a space-saving and elegant storage solution, adding a sleek touch to any home decor.

Dimension:

Board thickness: 20mm

Tier Leg Height: 400mm

End Cap Height: 80mm

Width x Length: 280mm x 300mm / 280mm x 600mm / 280mm x 900mm / 280mm x 1145mm / 400mm x 600mm / 400mm x 900mm / 400mm x 1145mm

Assembly Options

Pre-Assemble - You will receive finished product, QC by us including glue applied, touch-up of any defects. No warranty for wear & tear.

DIY/Self-Assemble - You will receive material parts in loose including rubber pad which allowed you to assemble by yourself. Please purchase with a rubber mallet if you do not have one. No warranty for wear & tear during or after assembly.

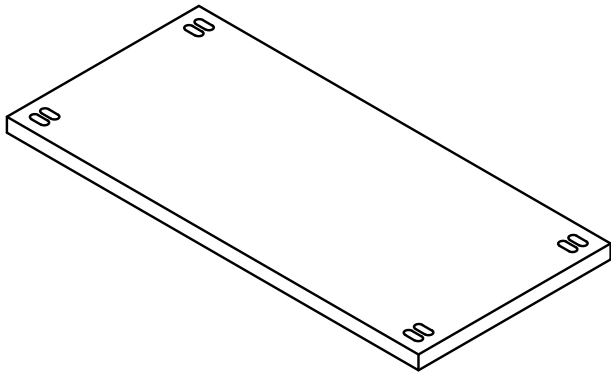
Buy accessories here

[Link to Tools Website page](#)

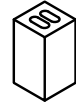
Assembly Instructions

[Download link](#)

Assembly Manual



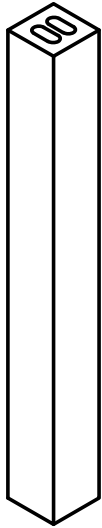
3x 20mm Boards



8x End Caps



24x 155mm Domino

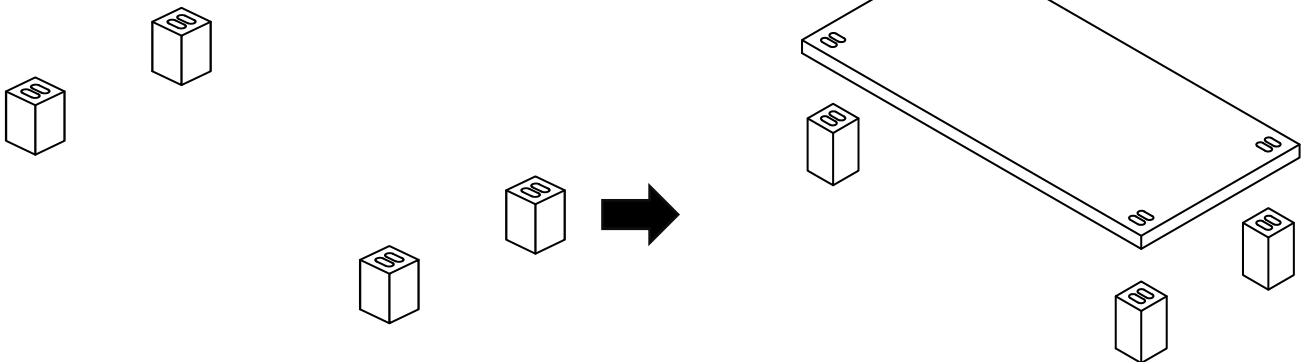


8x Tier Legs



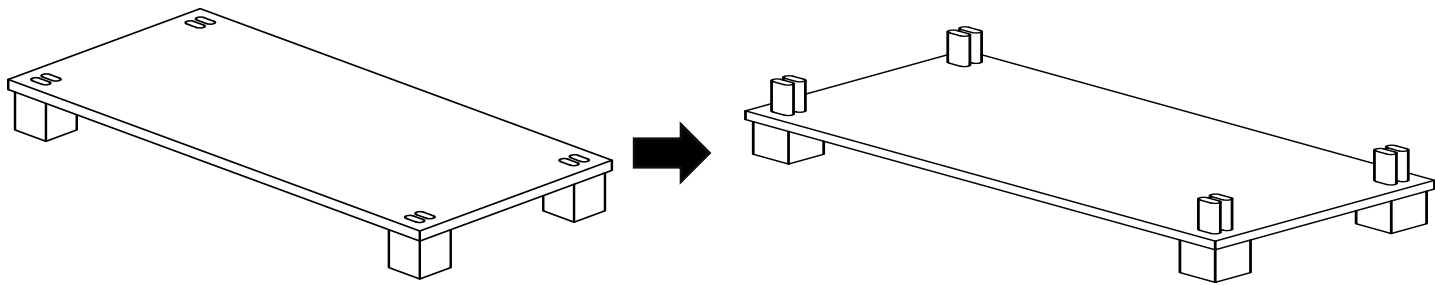
Rubber Mallet

① Gather all parts & accessories needed.

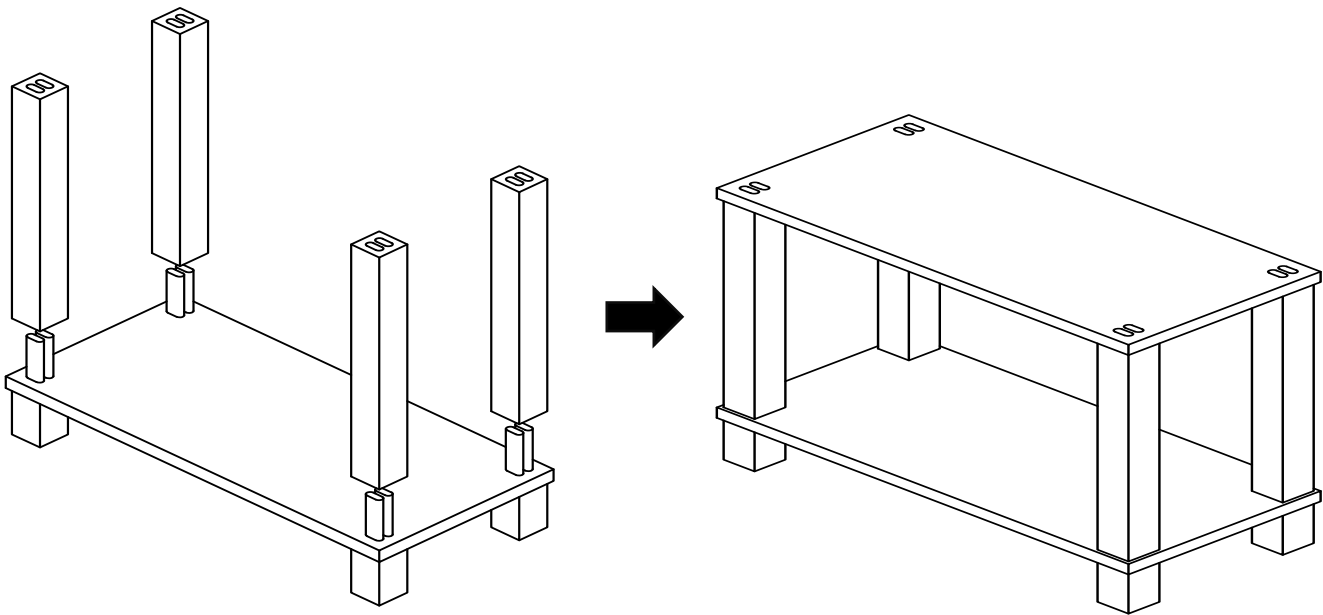


② Place end caps on a flat surface and align board on end caps

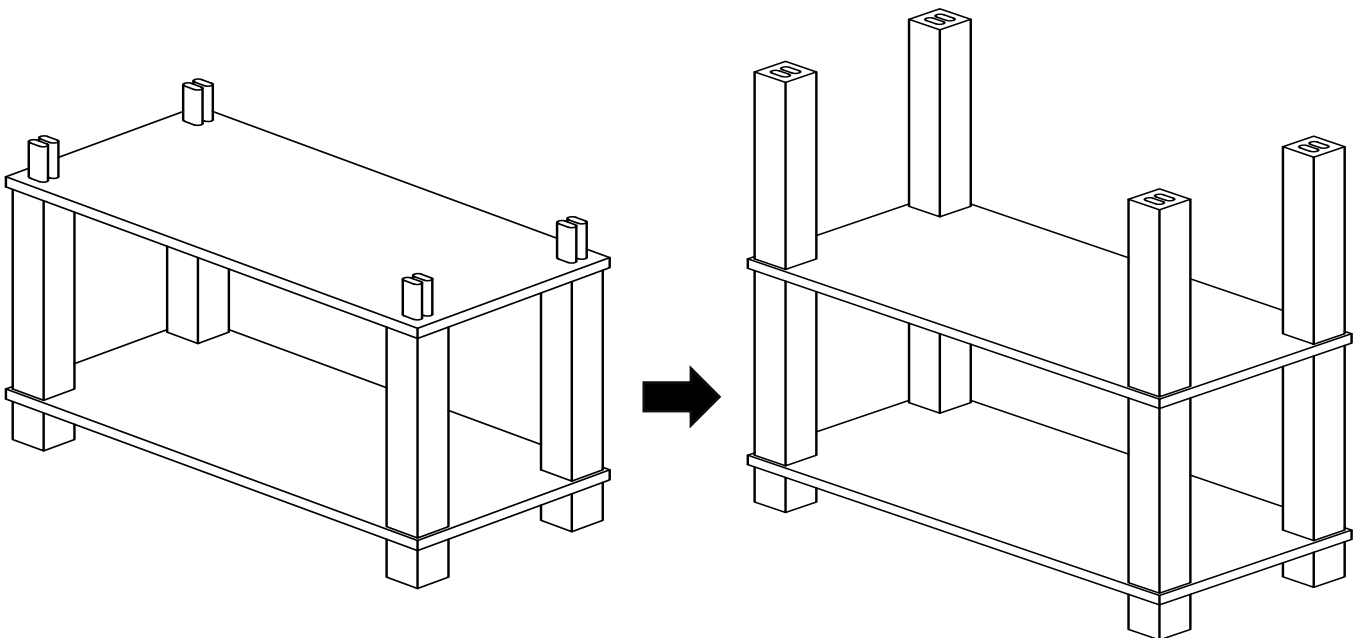
Assembly Manual



- ③ Place board on end caps and insert domino with rubber mallet
(Safety Note: Beware of hitting your fingers)

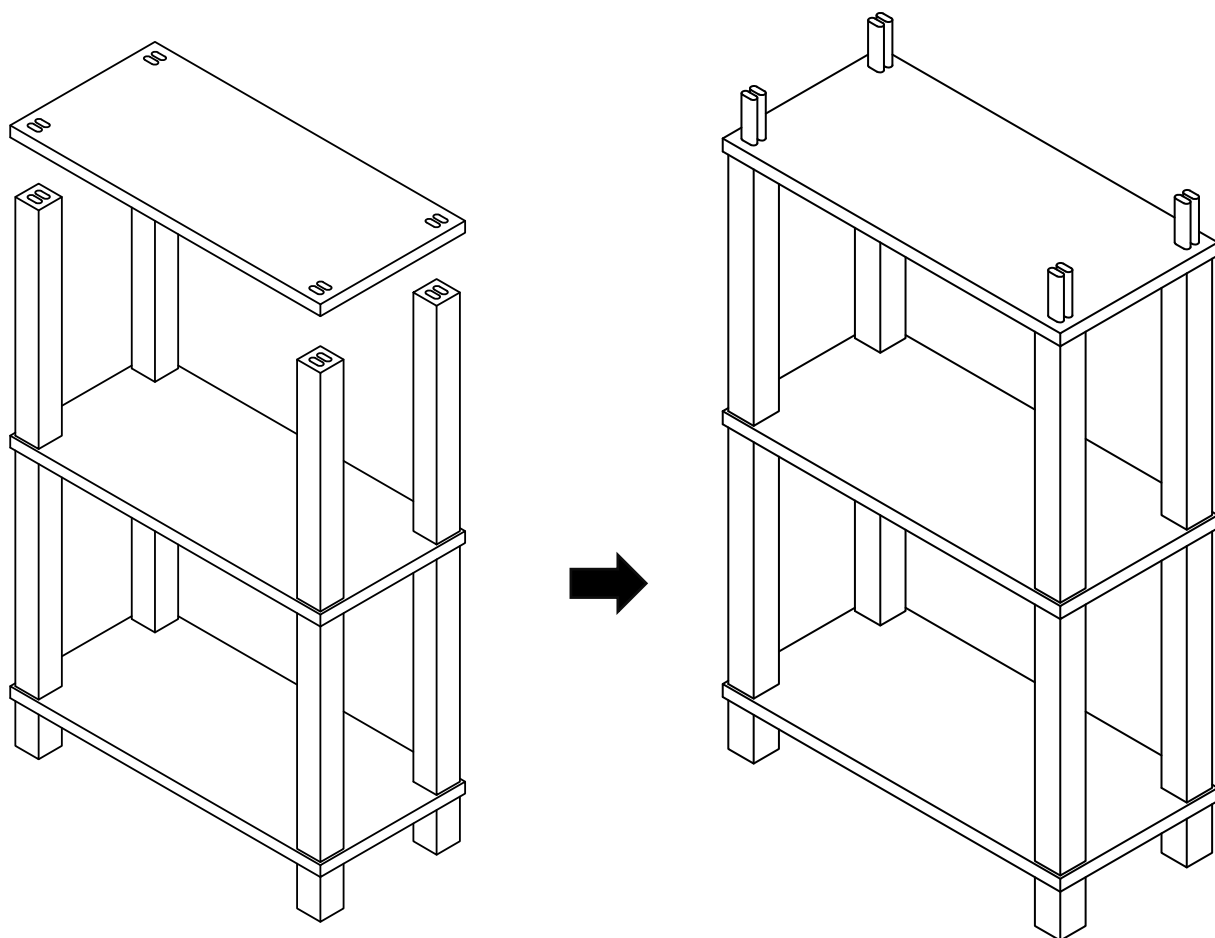


- ④ Insert tier leg with rubber mallet and align board
(Safety Note: Beware of hitting your fingers)

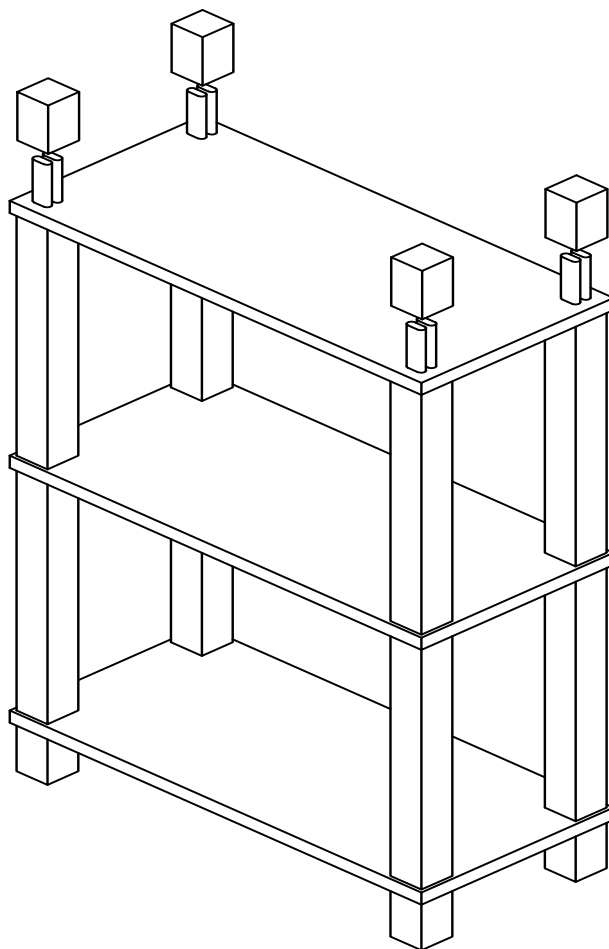


- ⑤ Insert domino followed by tier leg with rubber mallet
(Safety Note: Beware of hitting your fingers)

Assembly Manual



- ⑥ Align board and insert domino with rubber mallet
(Safety Note: Beware of hitting your fingers)



- ⑦ Insert end cap with rubber mallet and your self-assembled Riviera Rack is done!
(Safety Note: Beware of hitting your fingers)



CAUTION



DO NOT STAND ON RACK SURFACE

Do not stand on the product to avoid falling hazard. Side table is designed for placing objects. Standing on them can disrupt their intended function.



BEWARE OF HITTING FINGERS

Be cautious, stay focus and avoid distractions while building your side table.



NO SITTING ON RACK

Use side table in a stable and balance manner. Only place side table in correct position on flat and stable surfaces. Incorrect way of using the side table can lead to risk of it tipping over or even falling on you.



DO NOT HIT ON 20MM WOOD BOARD

Direct hit on 20mm wood board may caused the joint or the wood surface to crack.