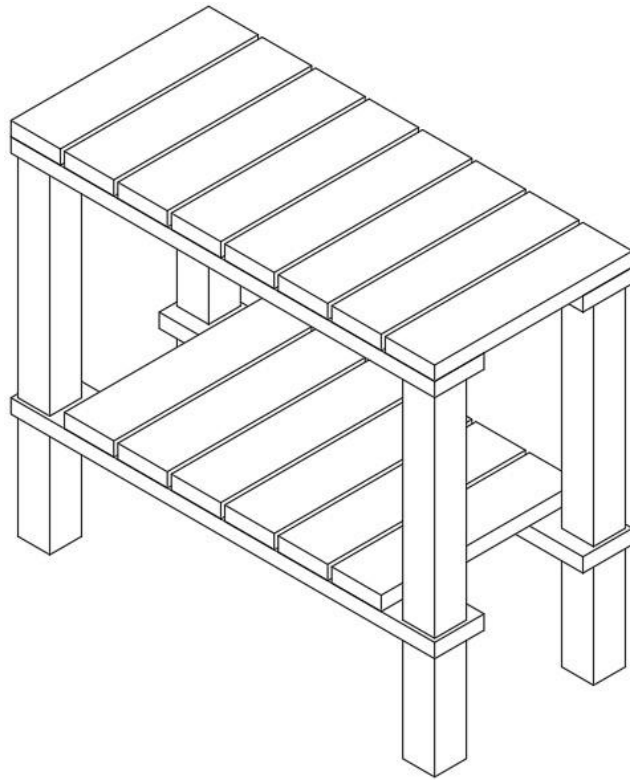


DIY Series

Introducing our very first D.I.Y. series - flatpack solid wood furniture. *Timber Actually* initiated this series with the intention to make solid wood furniture as accessible as possible for every household. Various parts can be mixed and matched to form different furniture pieces that are suited to the different needs of your dream home. It is also easy to assemble with basic tools and easy-to-follow instructions.

The flatpack solid wood furniture is designed to offer you a stable platform by using 100% sustainable source of solid wood material from Singapore local tree. The fabrication process of the furniture also adopts techniques that minimizes wastage, giving rise to a very affordable rate!

OASIS PLANTER



The Oasis planter is a streamlined organization solution, adding a touch of nature to any display collection. It is an efficient, accessible and stylish storage option for any loose objects, ranging from miscellaneous home decorations to shoes organization.

Dimension:

Planter Top / Tier Board Thickness: 40mm

Tier Leg Height: 300mm

Width & Length: 280mm x 600mm / 280mm x 900mm

Planter Leg Height: 80mm / 150mm / 200mm (Total Height: 440mm / 510mm / 560mm)

Assembly Options

Pre-Assemble - You will receive finished product, QC by us including glue applied, touch-up of any defects. No warranty for wear & tear.

DIY/Self-Assemble - You will receive material parts in loose including rubber pad which allowed you to assemble by yourself. Please purchase with a rubber mallet if you do not have one. No warranty for wear & tear during or after assembly.

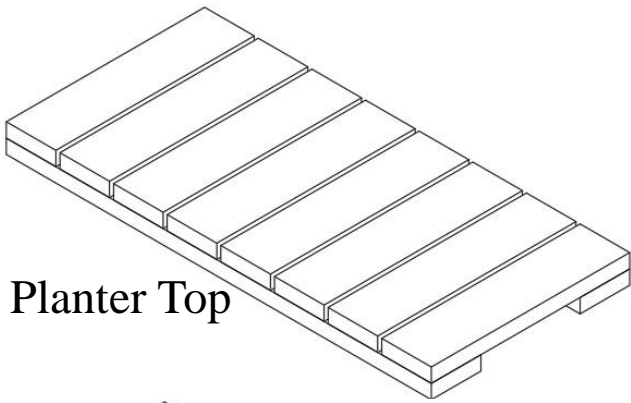
Buy accessories here

[Link to Tools Website page](#)

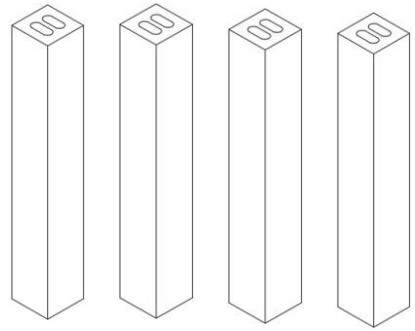
Assembly Instructions

[Download link](#)

Assembly Manual

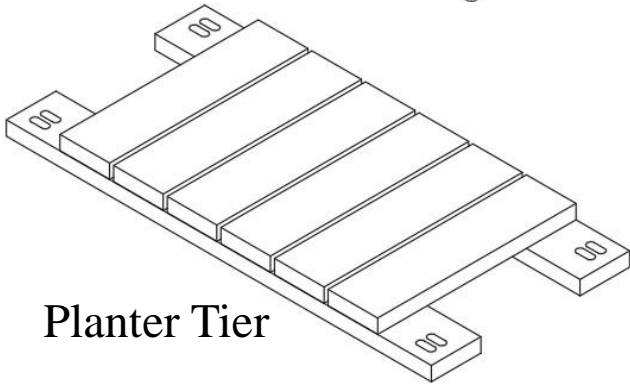


Planter Top

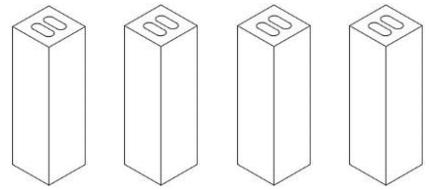


Tier Legs

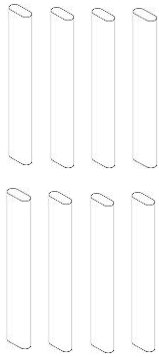
45mm x 45mm x 300mm



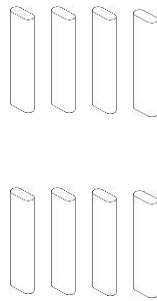
Planter Tier



Planter Legs (Bottom)



155mm Domino
(for Planter Legs)

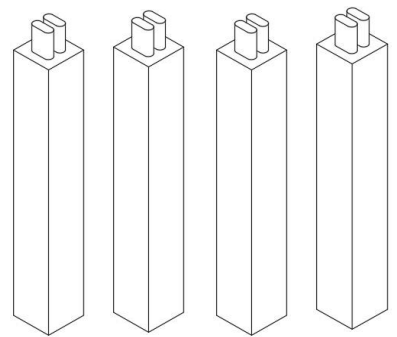
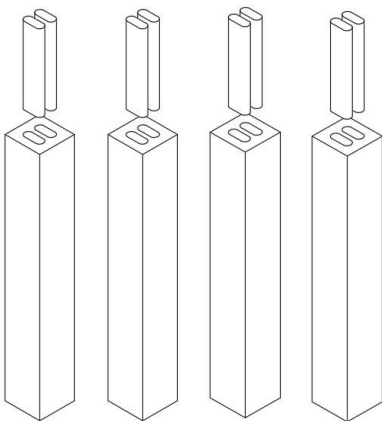


95mm Domino
(for Planter Top)



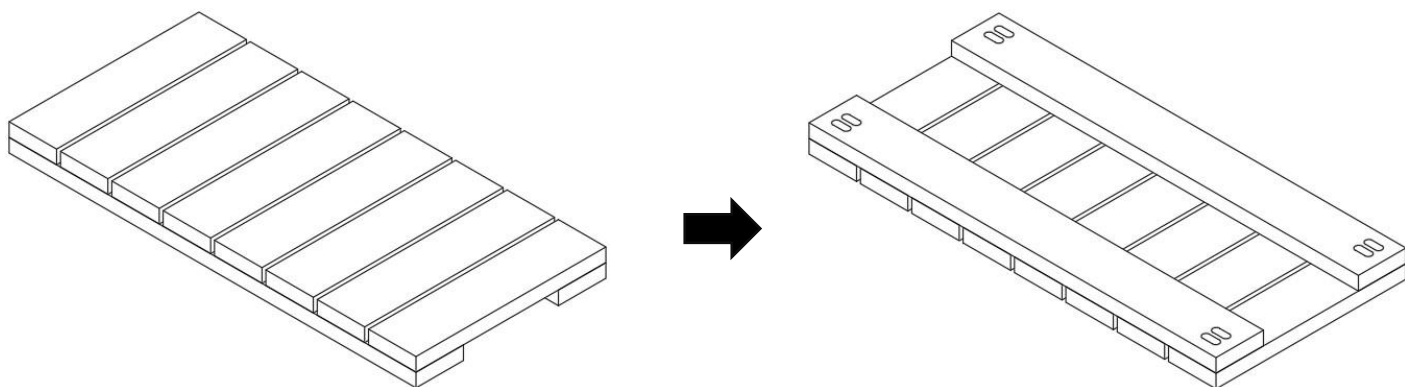
Rubber Mallet

① Gather all parts & accessories needed.

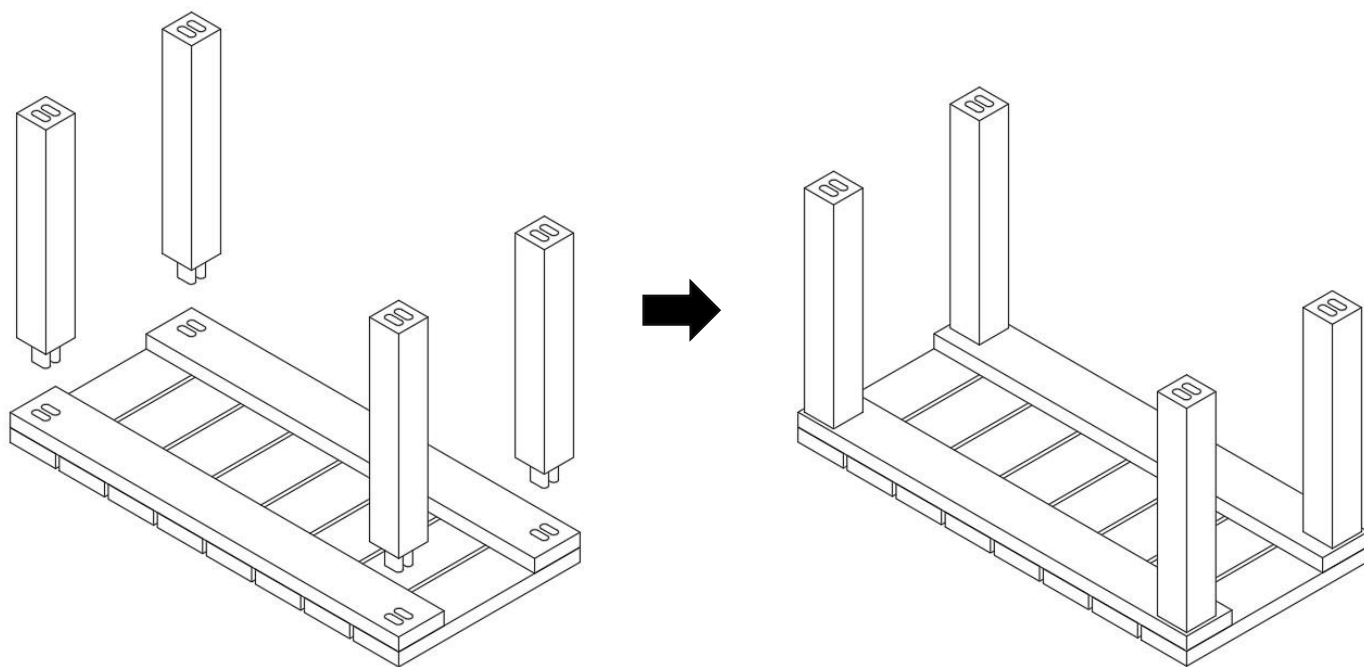


② Insert 95mm dominoes into planter tier legs by using a rubber mallet.
(Safety Note: Beware of hitting your fingers)

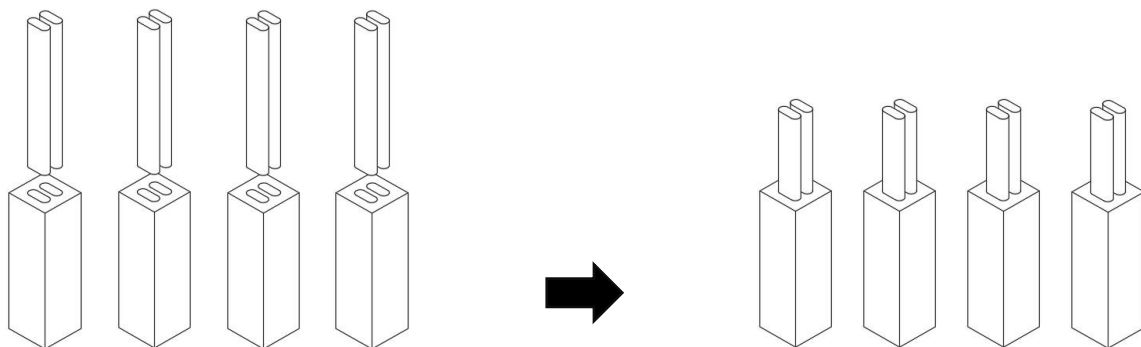
Assembly Manual



③ Place planter top upside down (domino holes facing upwards).

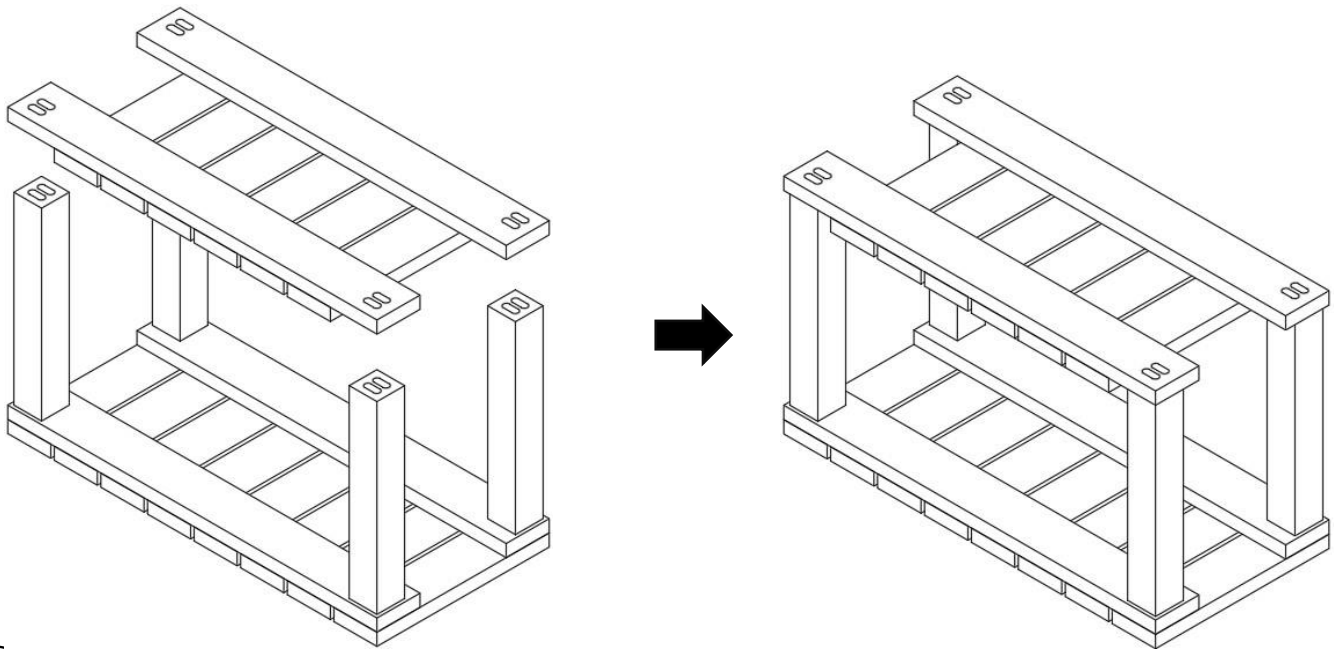


④ Join the planter tier legs with planter top and hammer with rubber mallet till fit.

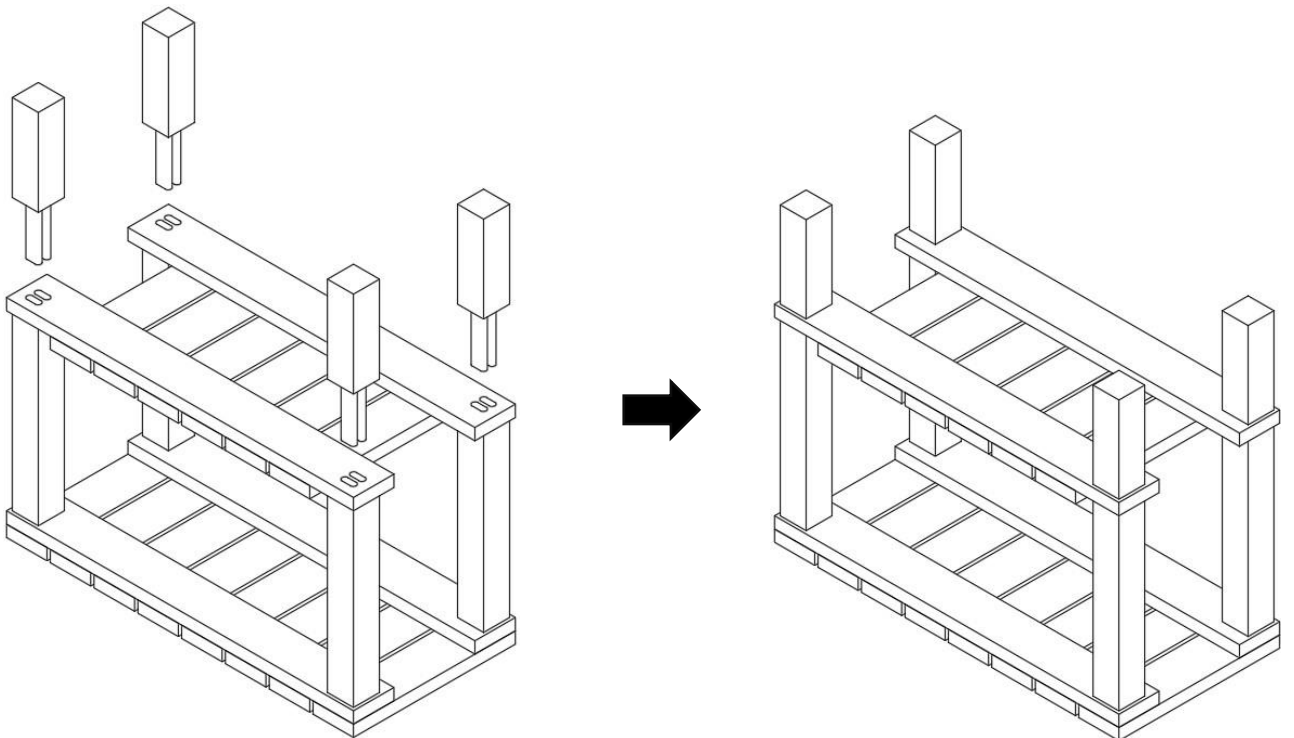


⑤ Insert 155mm dominos into planter legs by using a rubber mallet.
(Safety Note: Beware of hitting your fingers)

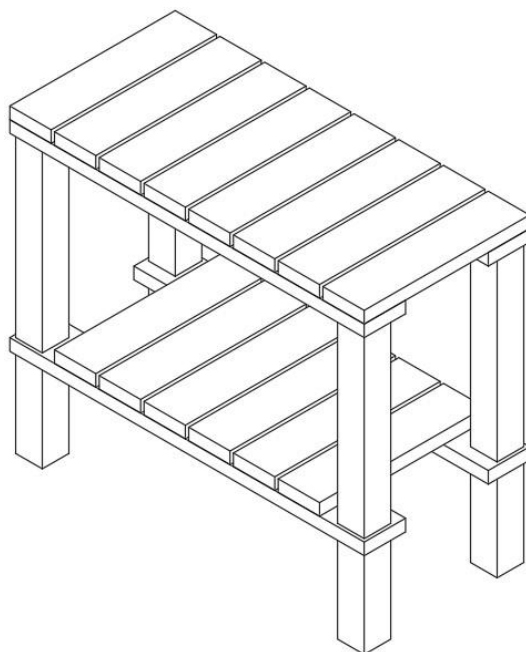
Assembly Manual



- ⑥ Place the planter tier on top of the tier legs to align the domino holes.
(Note: Do not hammer or hit on 20mm boards to avoid crack or break it)



- ⑦ Join the planter legs, planter tier and tier legs all together with rubber mallet till all fit.



- ⑧ Turn the planter upside down, your self-assembly flat-pack Oasis Planter showed up!

⚠ CAUTION



DO NOT STAND

Do not stand on the Oasis Planter to avoid falling hazard. Standing on them can disrupt their intended function.



BEWARE OF HITTING FINGERS

Be cautious, focus and avoid distractions while building your planter.



DO NOT ROCK OR SIT ON TWO LEGS

Use in stable and balance manner. Incorrect way of sitting or placing the planter can lead to instability and risk of the planter tipping over or even break the planter legs.



DO NOT HIT ON WOOD BOARD

Direct hit on wood board may caused the joint or the wood surface to crack.