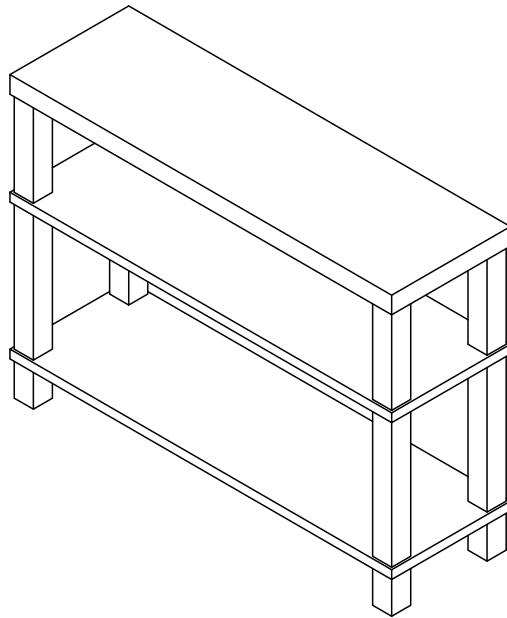


DIY Series

Introducing our very first D.I.Y. series - flatpack solid wood furniture. *Timber Actually* initiated this series with the intention to make solid wood furniture as accessible as possible for every household. Various parts can be mixed and matched to form different furniture pieces that are suited to the different needs of your dream home. It is also easy to assemble with basic tools and easy-to-follow instructions.

The flatpack solid wood furniture is designed to offer you a stable platform by using 100% sustainable source of solid wood material from Singapore local tree. The fabrication process of the furniture also adopts techniques that minimizes wastage, giving rise to a very affordable rate!

Eon TV Console



The Eon TV Console represents a superior, enduring creation meticulously tailored to complement any environment. With its sturdy yet graceful build, it effortlessly elevates any space, transforming it into a refined and sophisticated setting.

Dimension:

Top thickness: 40mm

Tier Leg Height: 200mm / 300mm

Tier Board thickness: 20mm

Width & Length: 280mm x 600mm / 280mm x 900mm / 280mm x 1145mm
/ 400mm x 600mm / 400mm x 900mm / 400mm x 1145mm

End Cap Height: 80mm

Assembly Options

Pre-Assemble - You will receive finished product, QC by us including glue applied, touch-up of any defects. No warranty for wear & tear.

DIY/Self-Assemble - You will receive material parts in loose including rubber pad which allowed you to assemble by yourself. Please purchase with a rubber mallet if you do not have one. No warranty for wear & tear during or after assembly.

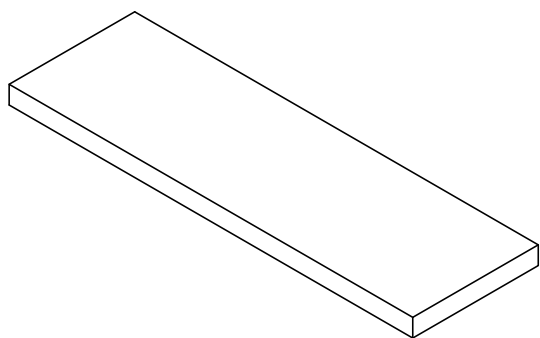
Buy accessories here

[Link to Tools Website page](#)

Assembly Instructions

[Download link](#)

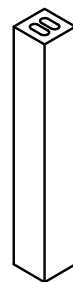
Assembly Manual



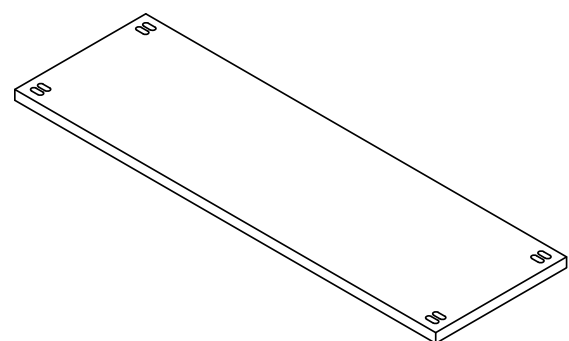
40mm Console Top



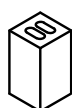
4x Tier Legs (Short)



4x Tier Legs (Long)



20mm Tier Board



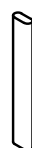
4x End Cap



Rubber Mallet

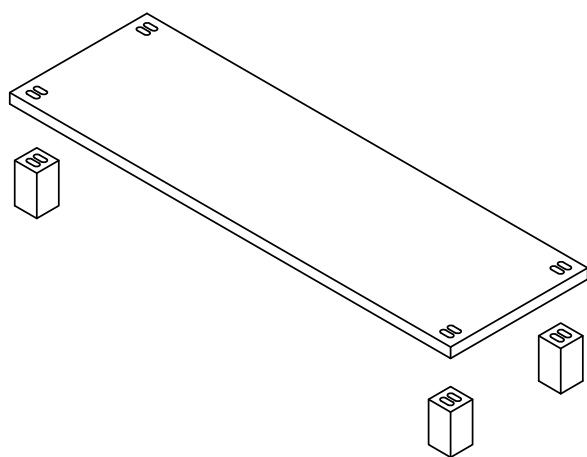


8x 95mm Domino



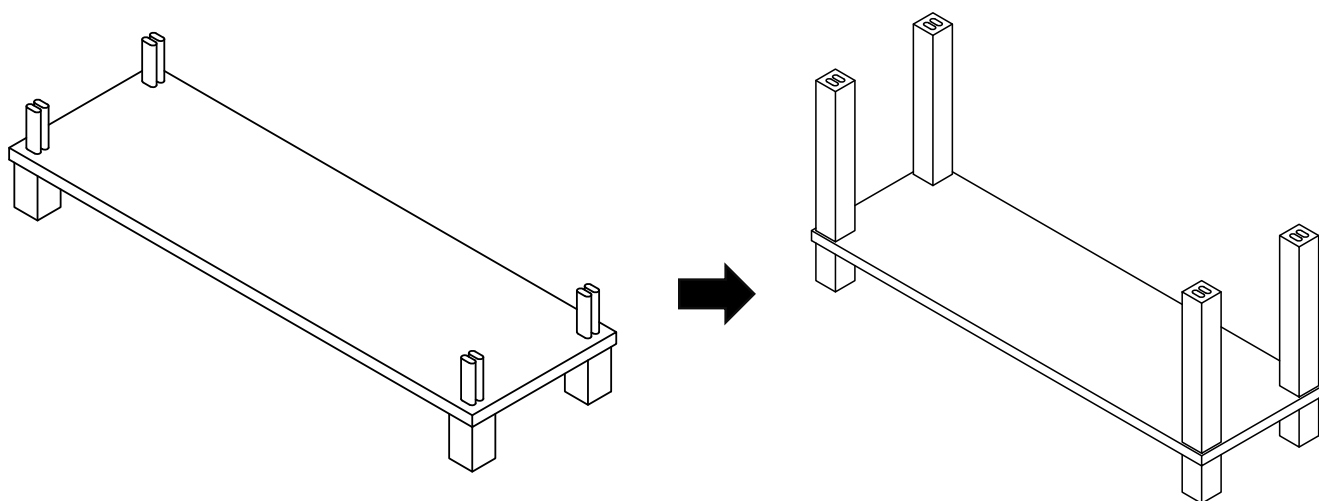
16x 155mm Domino

① Gather all parts & accessories needed.

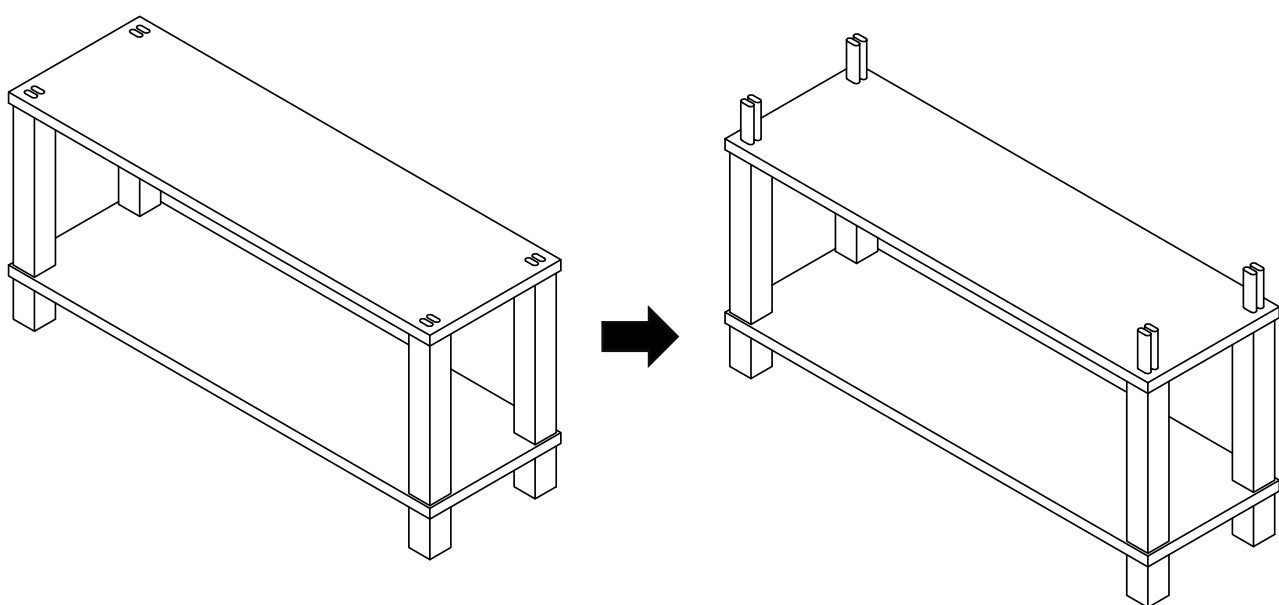


② Align and place tier board on end caps

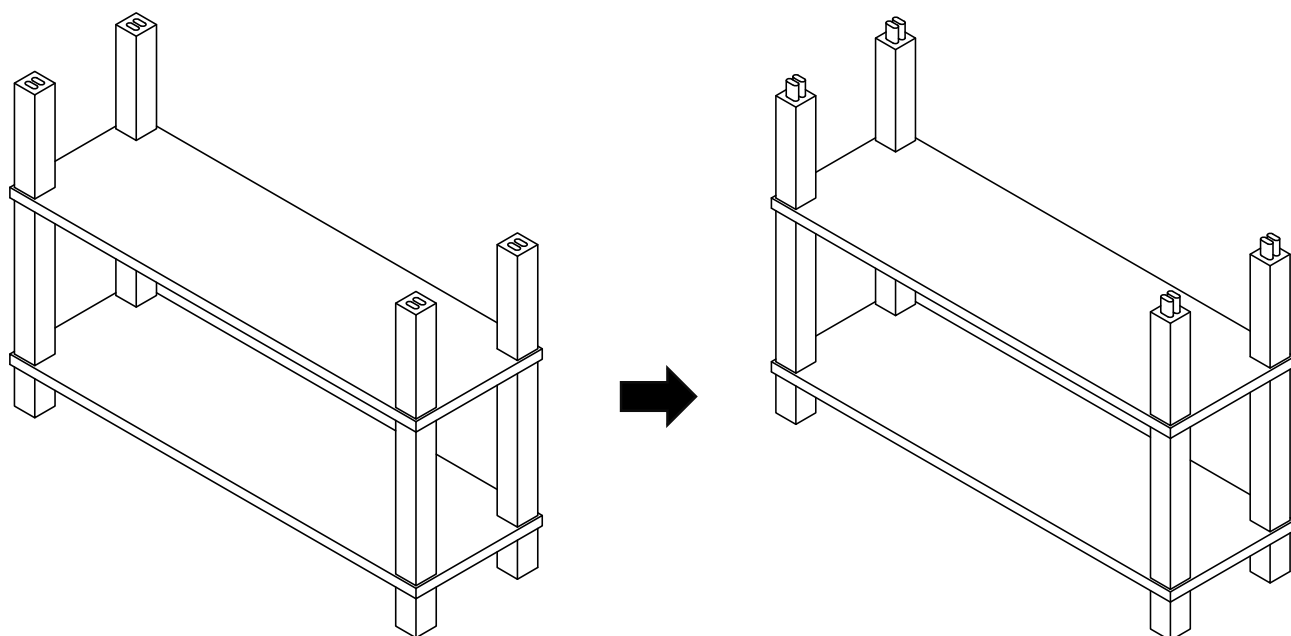
Assembly Manual



- ③ Insert 155mm domino and long tier leg with rubber mallet
(Safety Note: Beware of hitting your fingers)

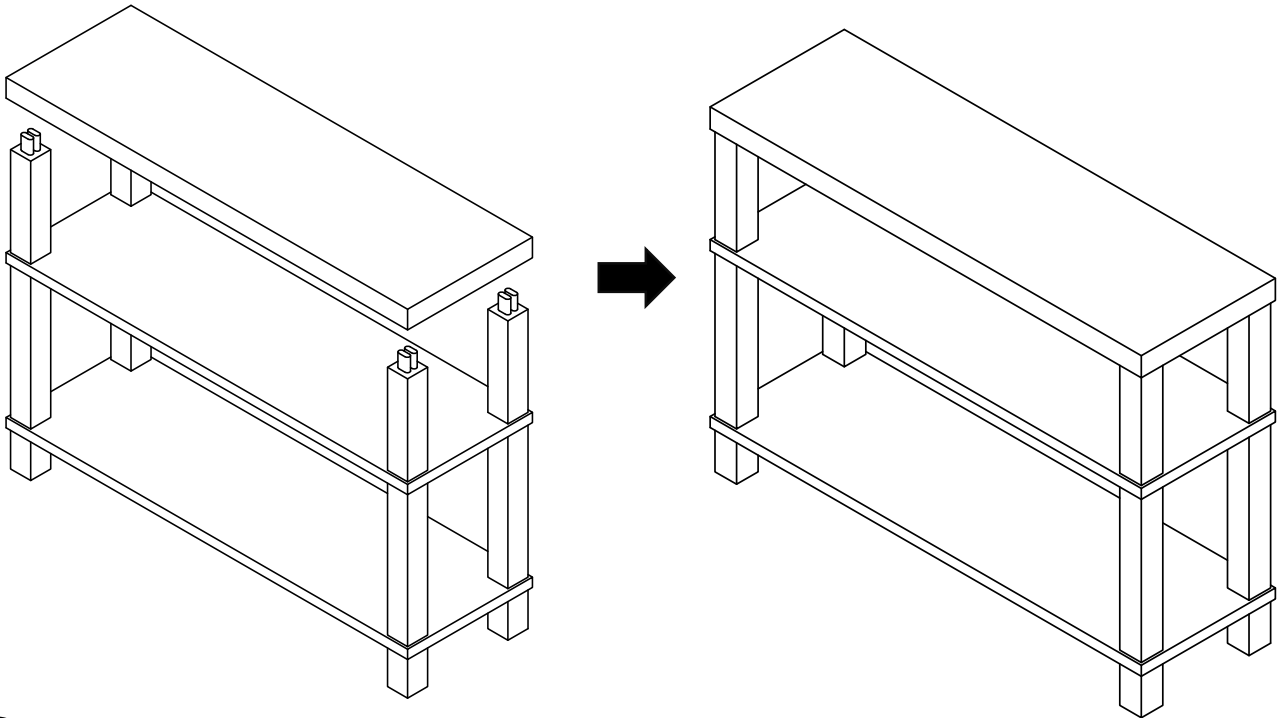


- ④ Place tier board and insert 155mm domino with rubber mallet
(Safety Note: Beware of hitting your fingers)



- ⑤ Insert short tier leg and 95mm domino with rubber mallet
(Safety Note: Beware of hitting your fingers)

Assembly Manual



- ⑥ Align and insert console top with rubber mallet and your Eon TV
Console is assembled!
(Safety Note: Beware of hitting your fingers)

⚠ CAUTION



DO NOT STAND ON TABLE SURFACE

Do not stand on the product to avoid falling hazard. Side table is designed for placing objects. Standing on them can disrupt their intended function.



BEWARE OF HITTING FINGERS

Be cautious, stay focus and avoid distractions while building your side table.



NO SITTING ON TABLE

Use side table in a stable and balance manner. Only place side table in correct position on flat and stable surfaces. Incorrect way of using the side table can lead to risk of it tipping over or even falling on you.



DO NOT HIT ON 20MM WOOD BOARD

Direct hit on 20mm wood board may caused the joint or the wood surface to crack.