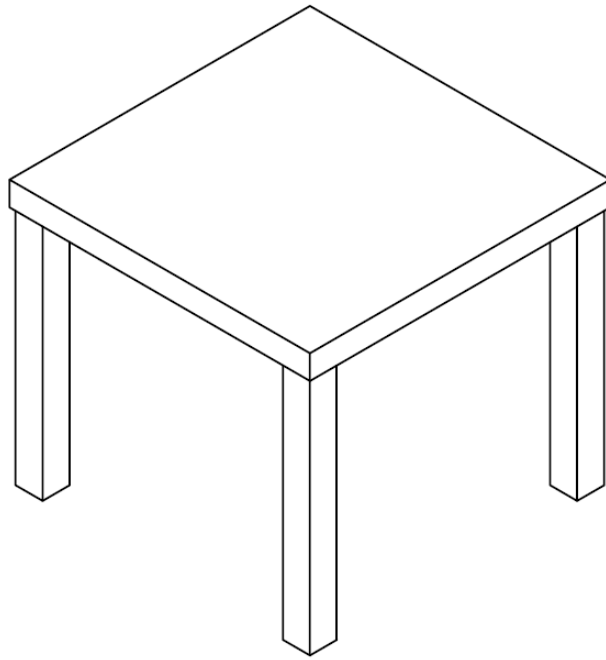


# DIY Series

**Introducing** our D.I.Y. series - flatpack solid wood furniture. *Timber Actually* initiated this series with the intention to make solid wood furniture as accessible as possible for every household. Various parts can be mixed and matched to form different furniture pieces that are suited to the different needs of your dream home. It is also easy to assemble with basic tools and easy-to-follow instructions.

**The flatpack solid wood furniture** is designed to offer you a stable platform by using 100% sustainable source of solid wood material from Singapore local tree. The fabrication process of the furniture also adopts techniques that minimizes wastage, giving rise to a very affordable rate!

# Geo Table



The Geo Table can be used in a wide range of settings, including homes, offices, cafes, restaurants, or any other places where additional tables are needed. It can serve as a standalone coffee table, side table, or kids-friendly table for kids to enjoy their meal. It can also be paired with lower stool to accommodate to various preferences and styles ranging from traditional to modern minimalist.

## Dimension:

Table top thickness: 40mm

## Width & Length:

400mm x 400mm / 450mm x 450mm / 500mm x 500mm / 600mm x 600mm

Height: 240mm / 340mm / 440mm (including table top)

## Assembly Options

Pre-Assemble - You will receive finished product, QC by us including glue applied, touch-up of any defects. No warranty for wear & tear.

DIY/Self-Assemble - You will receive material parts in loose including rubber pad which allowed you to assemble by yourself. Please purchase with a rubber mallet if you do not have one. No warranty for wear & tear during or after assembly.

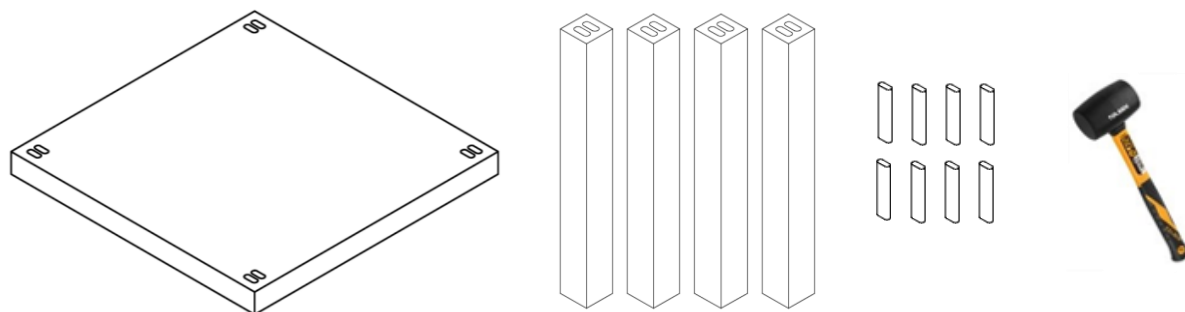
Buy accessories here

[Link to Tools Website page](#)

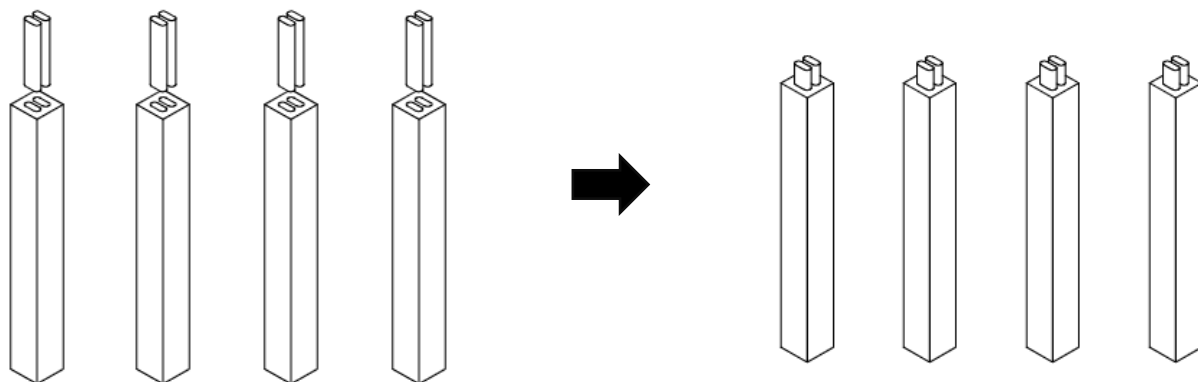
Assembly Instructions

[Download link](#)

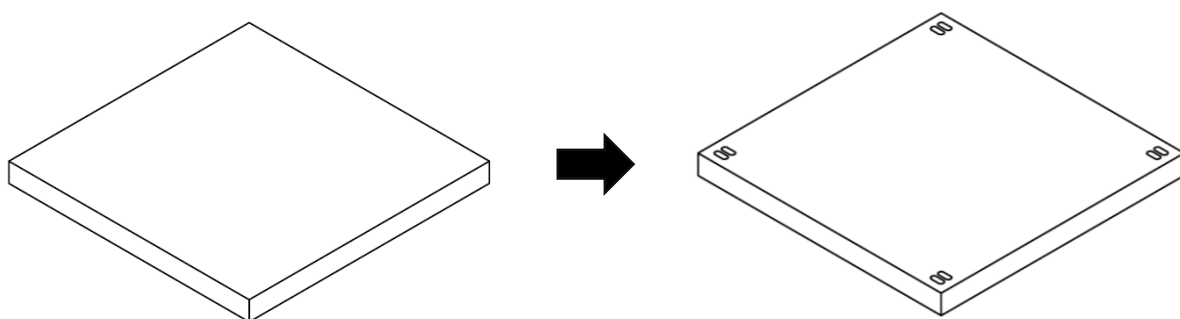
# Assembly Manual



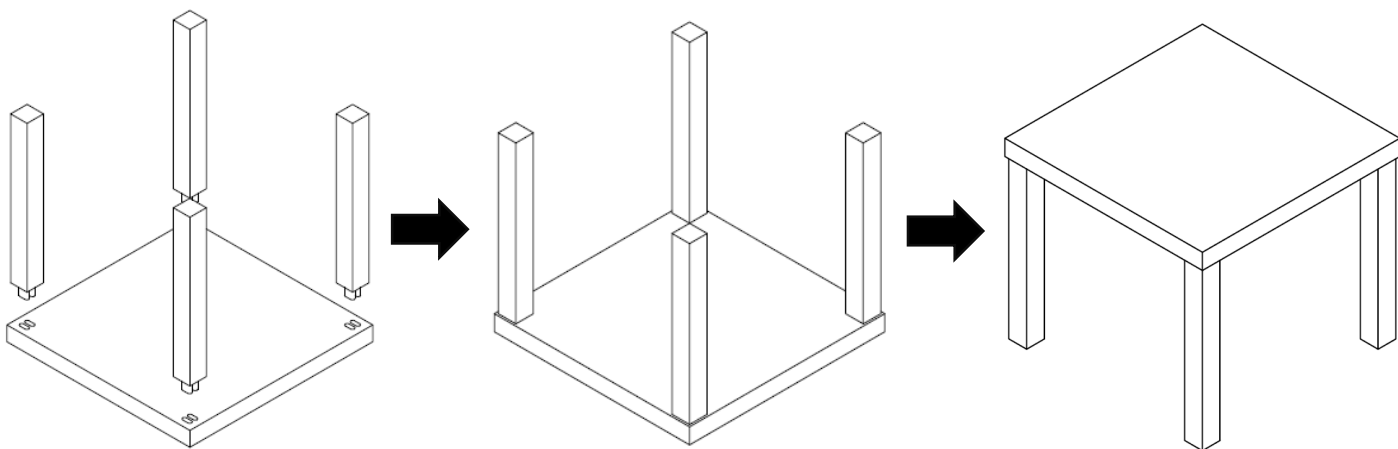
① Gather all parts & accessories needed.



② Insert dominos into legs by using a mallet.  
(Safety Note: Beware of hitting your fingers)



③ Place table top upside down (domino holes facing upwards).



④ Join the legs with table top and hammer with mallet till fit.  
Turn upside down, your self-assembly flat-pack table showed up!

# ⚠ CAUTION



## **DO NOT STAND ON TABLE SURFACE**

Do not stand on the product to avoid falling hazard. Tables are designed for placing objects or working on, standing on them can disrupt their intended function.



## **BEWARE OF HITTING FINGERS**

Be cautious, focus and avoid distractions while building your stool.



## **NO SITTING ON TABLE**

Use table in a stable and balance manner. Only place table in correct position on flat and stable surfaces. Incorrect way of using the table can lead to risk of the it tipping over or even falling on you.