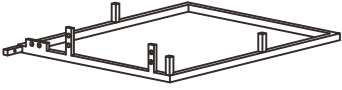

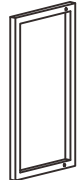
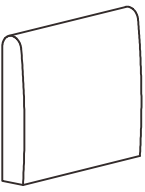






# ITEM NAME /NOM D' ITEM:GENOA BARSTOOL

ITEM # /NO. ITEM:100643 (GRAY)

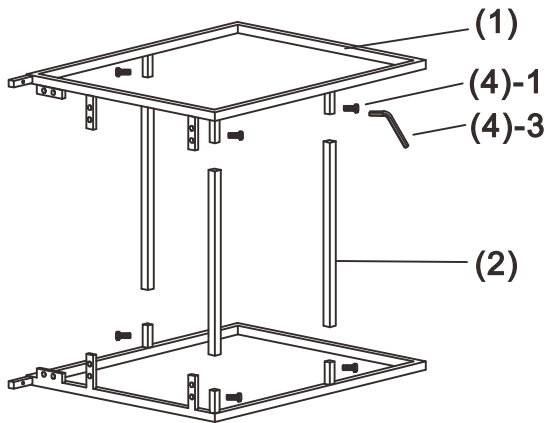
Enquiry:parts@zuomod.com

## PART LIST/Liste des pièces

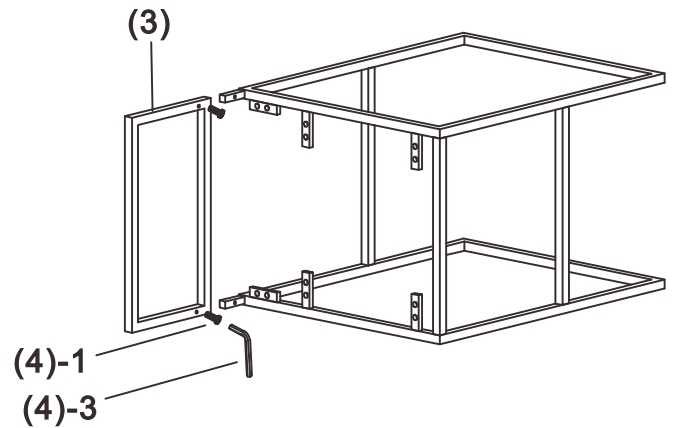
(1)	(2)	(3)
 X2	 X3	 X1
(4)	(5)	(6)
 X1	 X1	1.  X8 6*8mm 2.  X12 6*25mm 3.  X2 4mm

## INSTRUCTION

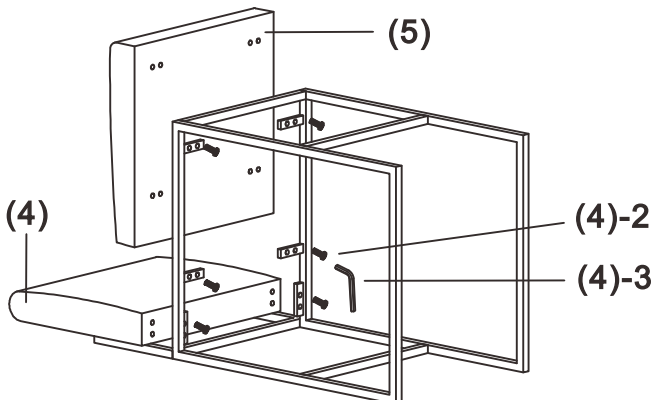
**A**



**B**



**C**



**D**

