
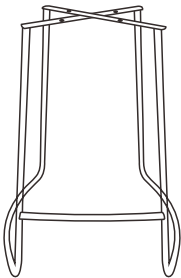




ITEM NAME /NOM D' ITEM: BREE BAR CHAIR

ITEM # /NO. ITEM: 101264 (BURGUNDY)

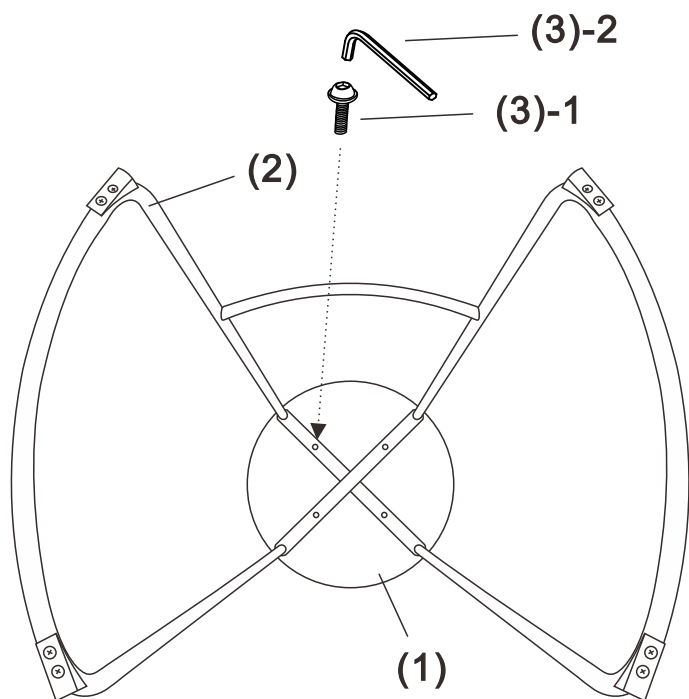
Enquiry: parts@zuomod.com

PART LIST/Liste des pièces

(1)	(2)	(3)
 X1	 X1	1.  X4 6*20mm 2.  X1

INSTRUCTION

A



B

