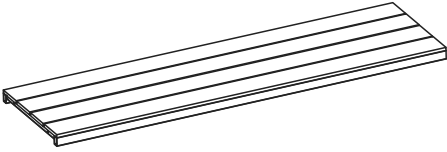





ITEM NAME /NOM D' ITEM:METROPOLITAN BENCH

ITEM # /NO. ITEM:701862

Enquiry:parts@zuomod.com

PART LIST/Liste des pièces

(1)	(2)	(3)
 X1	 X2	1.  X8 2.  X1

INSTRUCTION

