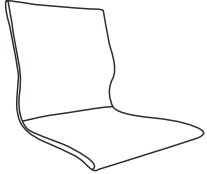
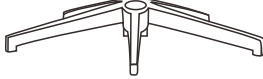
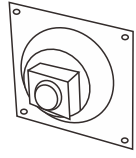

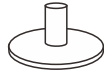




ITEM NAME /NOM D' ITEM:GLIDER CONFERENCE CHAIR

ITEM # /NO. ITEM:100379 (TAUPE)

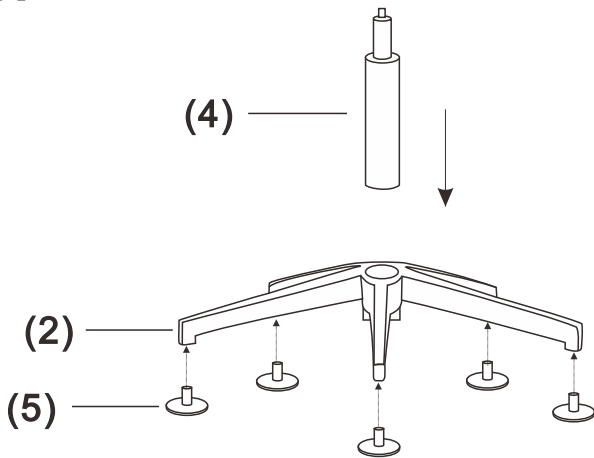
Enquiry:parts@zuomod.com

PART LIST/Liste des pièces

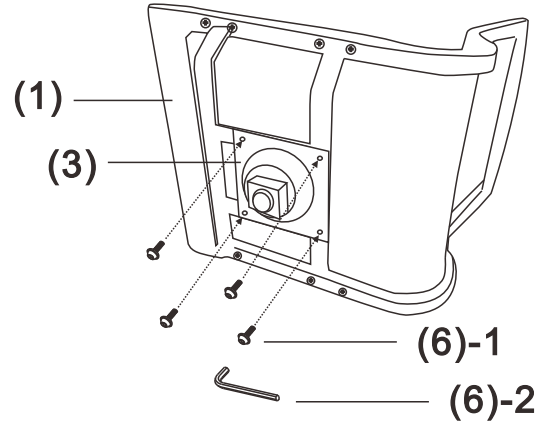
(1)	(2)	(3)
 X1	 X1	 X1
(4)	(5)	(6)
 X1	 X1	1.  X4 8*16mm 2.  X1

INSTRUCTION

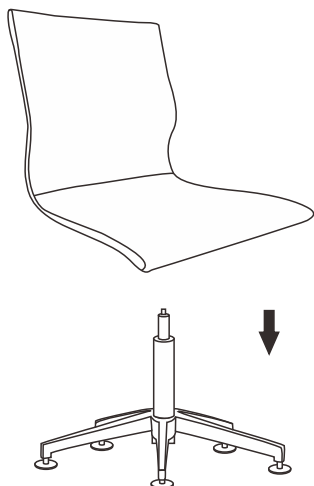
A



B



C



D

