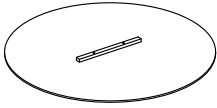
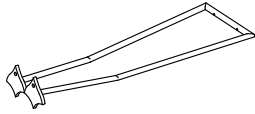




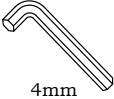






ITEM NAME/NOM D'ITEM: GRISHAM SIDE TABLE

ITEM # /NO. ITEM: 109464

PARTS LIST/LISTE DES PIÈCES

<p>(1)</p>  <p>x1</p>	<p>(2)</p>  <p>x1</p>	<p>(3)</p>  <p>x1</p>					
<p>(4) A.</p>  <p>5x15mm x2</p>	<p>B.</p>  <p>6mm x2</p>	<p>C.</p>  <p>6mm x2</p>	<p>D.</p>  <p>4mm x1</p>	<p>E.</p>  <p>12mm x2</p>	<p>F.</p>  <p>6mm x2</p>	<p>G.</p>  <p>8x18mm x2</p>	<p>H.</p>  <p>14x15 x1</p>

ASSEMBLY INSTRUCTIONS/INSTRUCTIONS D'ASSEMBLAGE

