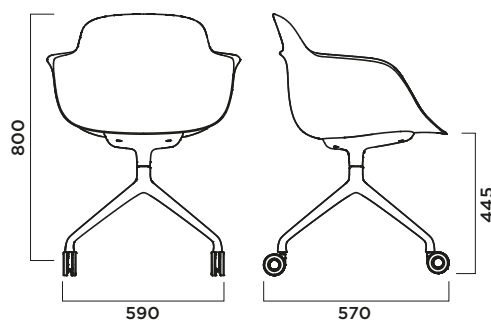


## SICLA swivel with castors

5040-4SCP

Design Claus Breinholt



### BASE

BASE

BASE

Polished aluminium 4 star base. Support polished die casting aluminium.

Base 4 razze in alluminio lucido. Supporto in alluminio pressofuso lucido.

Base de aluminio pulido de 4 radios Soporte de aluminio fundido a presión pulido



00L



30



31

### SHELL

SCOCCA

CARCASA

Polypropylene + Glass fiber

Polipropilene + Fibra di vetro

Polipropileno + Fibra de vidrio.



S020



R8022



S514



S503



S513



S011

### FINISHING

FINITURA

ACABADO

Base and support painted with epoxy-polyester powder with average thickness of 50 μ.

Base e supporto verniciati a polvere epossi-poliestere con spessore medio di 50 μ.

Base y soporte con recubrimiento en polvo epoxi-poliéster con 50 μ de espesor medio.

### CASTORS

RUOTE

RUEDAS PIVOTANTES

Castors diam. 60 stem 11.

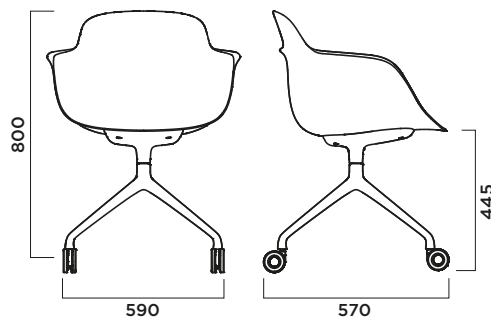
Ruote diam. 60 stem 11.

Ruedas pivotantes diám. 60 perno 11.

## SICLA swivel with castors upholstered seat panel

5040-4SCS

Design Claus Breinholt



### BASE

BASE

BASE

Polished aluminium 4 star base. Support polished die casting aluminium.

Base 4 razze in alluminio lucido. Supporto in alluminio pressofuso lucido.

Base de aluminio pulido de 4 radios Soporte de aluminio fundido a presión pulido



00L



30



31

### SHELL

SCocca

CARCASA



S020



R8022



S514



S503



S513



S011

### UPHOLSTERY


TAPPEZZERIA

TAPIZADOS

A Space

B Eco Leather

C Step, Step Melange, Nuvole

D Reflect 

E Field, Oceanic , Yoredale

F Steelcut Quartet, Canvas2

G Divina3, Divina Melange, Fiord

H Full Leather

### FINISHING

FINITURA

ACABADO

Base and support painted with epoxy-polyester powder with average thickness of 50  $\mu$ .

Base e supporto verniciati a polvere epossipoliester con spessore medio di 50  $\mu$ .

Base y soporte con recubrimiento en polvo epoxipoliéster con 50  $\mu$  de espesor medio.

### CASTORS

RUOTE

RUEDAS PIVOTANTES

Castors diam. 60 stem 11.

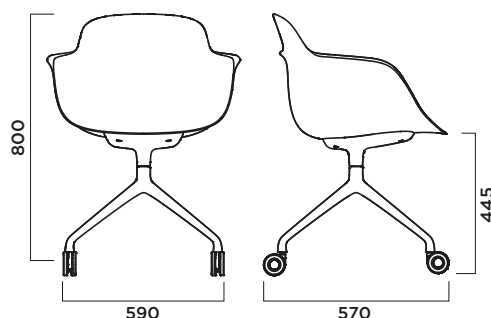
Ruote diam. 60 stem 11.

Ruedas pivotantes diám. 60 perno 11.

## SICLA swivel with castors full upholstered panel

5040-4SCT

Design Claus Breinholt



### BASE

BASE

BASE

Polished aluminium 4 star base. Support polished die casting aluminium.

Base 4 razze in alluminio lucido. Supporto in alluminio pressofuso lucido.

Base de aluminio pulido de 4 radios Soporte de aluminio fundido a presión pulido



00L



30



31

### SHELL

SCOCCA

CARCASA

Polypropylene + Glass fiber

Polipropilene + Fibra di vetro

Polipropileno + Fibra de vidrio



S020



R8022



S514



S503



S513




S011

### UPHOLSTERY

TAPPEZZERIA

TAPIZADOS

- A Space
- B Eco Leather
- C Step, Step Melange, Nuvole
- D Reflect 
- E Field, Oceanic  Yoredale
- F Steelcut Quartet, Canvas2
- G Divina3, Divina Melange, Fiord
- H Full Leather

### FINISHING

FINITURA

ACABADO

Base and support painted with epoxy-polyester powder with average thickness of 50 μ.

Base e supporto verniciati a polvere epossipoliestere con spessore medio di 50 μ.

Base y soporte con recubrimiento en polvo epxi-poliéster con 50 μ de espesor medio.

### CASTORS

RUOTE

RUEDAS PIVOTANTES

Castors diam. 60 stem 11.

Ruote diam. 60 stem 11.

Ruedas pivotantes diám. 60 perno 11.