

# SAILOR®SC4000 IRIDIUM

**COBHAM**

Keep in touch from pole to pole

2013 Product Sheet

The most important thing we build is trust

**The SAILOR SC4000 Iridium is a satellite phone system for all sizes and types of vessel. Using the established Iridium network, SAILOR SC4000 Iridium offers low-cost airtime and is built for the maritime environment.**

- Full satellite coverage
- One global rate
- Seamless global telephone
- Individual user billing
- On board telephone box – simple to install in convenient locations
- Data capability – 2.4 or 10 kbps for basic email/internet and PC based SMS

The SAILOR SC4000 Iridium telephone supports a wide selection of crew calling plans and prepaid scratch cards. Crew members can manage and control their own costs directly.

## The Iridium Satellite Network

Iridium is a truly global satellite network with 66 cross-linked low orbiting satellites that form a world-wide grid. From the Arctic to Antarctica, a satellite is always in sight and ready to handle your call.

## The System

The SAILOR SC4000 Iridium is approved according to international maritime standards and is designed and built to the same high quality that has made SAILOR a famous name in regards to reliability and suitability for professional use at sea. It is easy to install and features three core components:

**Antenna** – Slim, compact but sturdy, the antenna has no moving parts and is designed to be highly weather-resistant. The helix construction is coated with glass-enforced epoxy, making the antenna able to withstand the extreme conditions at sea.

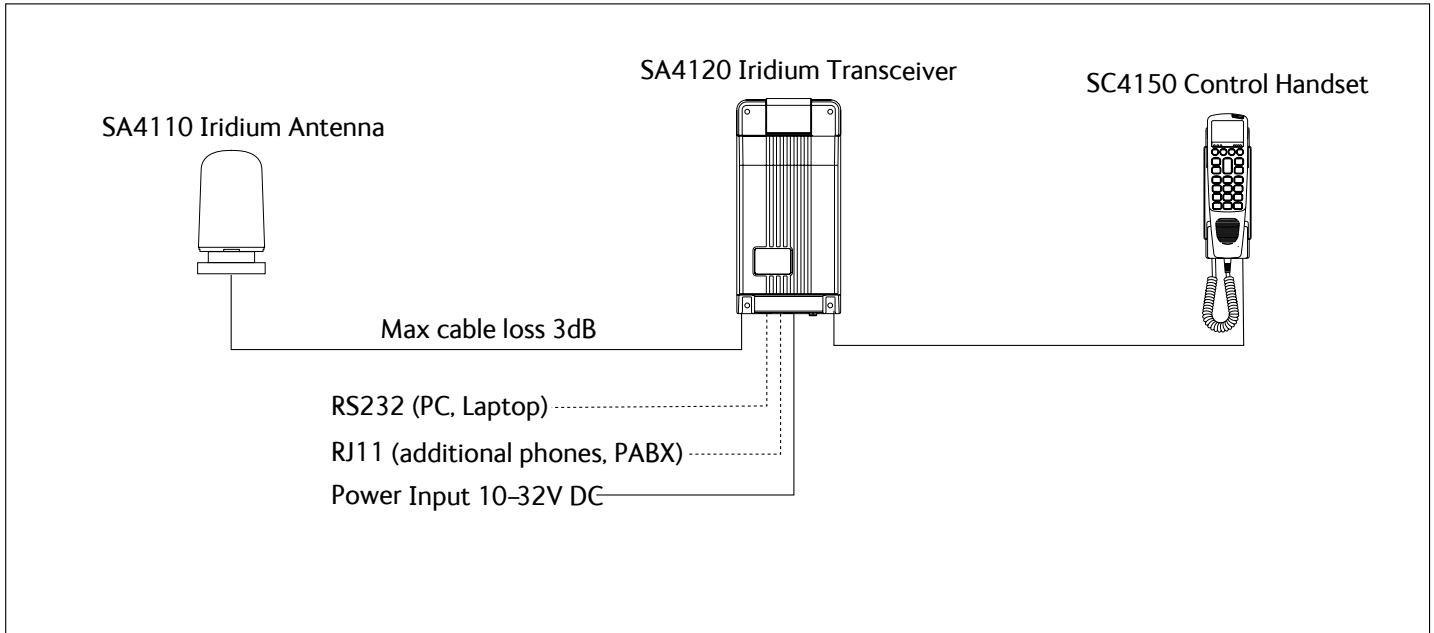
**Handset** – The SAILOR SC4150 is an intelligent handset and control unit that features mobile phone style operation on a large LCD screen with a logical menu for ease of use. It can store up to 100 contacts with repeat call and call log functionality and the high quality loud-speaker ensures all calls are easily heard wherever you are on board.

**Transceiver** – The robust SAILOR ST4120 transceiver features metal protective housing for professional maritime installations. The easy access to the SIM card reader allows crew members straightforward insertion of their own SIM cards. It is easy to install and is the central hub of the entire SAILOR SC4000 Iridium system.



# SAILOR® SC4000 IRIDIUM

Keep in touch from pole to pole



## Connectivity, Accessories and other Functions

The SAILOR ST4120 Iridium transceiver also features an interface for PC connection and NMEA input, as well as RJ11 for an additional analogue phone or a standard PABX system, allowing any attached phone on board to make or receive calls.

### TECHNICAL SPECIFICATIONS

#### Frequency range

Terminal - Satellite	1616 - 1626.5 MHz (L-Band)
Intersatellite	23.18 - 23.38 GHz (Ka-Band)

#### Modulation

Voice/data	2.4 kbit/s O-QPSK
Compressed data	10 kbit/s O-QPSK

#### POWER SPECIFICATIONS

Power supply	10 - 32V DC
Power consumption	Tx: 25 W
Stand-by	8 W

#### ENVIRONMENTAL CONDITIONS

Temperature	ADE -35° C to +55° C
Relative humidity	Up to 95% at 40° C
Icing (survival only)	Up to 25mm of ice
Precipitation	Up to 100mm/hour
Wind (velocity)	Up to 100 knots
Vibration	IME: 2 - 50 Hz +/- 1g EME: 4 - 33 Hz +/- 1g

#### ST4120 TRANSCEIVER UNIT

##### Interfaces

Handset	RS-485, 8-wire, 600Ω
Telephone/PABX	Rj-11, 2-wire, 600Ω
Data (for PC)	RS232 (standard serial)
Position information	NMEA 0183
Set-up, SMS configuration	Via PC connection and software
Dimensions	HxWxD: 309 x 150 x 87 mm HxWxD: 12.2 x 5.9 x 3.4 inch
Weight	2.7 kg (6 lbs)

#### SC4150 CONTROL HANDSET

Dimensions	HxWxD: 68.5 x 209 x 66.5 mm HxWxD: 2.7 x 8.2 x 2.6 inch
------------	--

#### SA4110 ANTENNA UNIT

General specifications	Helical, omnidirectional antenna 210° (3 dB bandwidth)
Antenna dome	Fiberglass
Link margin	16 dB
Elevation angle	From any direction 20° from horizontal
Yaw	Satellite elevation > 8°
Dimensions	Ø: 96 mm (3.8") Height: 140 mm (5.5")

For further information please contact:

Globalsat USA  
 10404 W. State Road 84,  
 Suite 101 Davie, FL 33324  
 Tel: +1 (561) 208 6088

