

FLOS

Superarchimoon - Specification Sheet by Philippe Starck, 2000

Mounting	Free Standing
Lamp (Bulb) Description	1 x 250W T-10 Medium Frosted Halogen (Included)
Environment	Indoor - Dry Location
Dimming	Dimmable
Finish	Plisse Cloth
Technical and Product Description	SUPERARCHIMOON floor lamp providing direct and diffused light. Acid etched hand-blown pressed glass internal diffuser. Pleated cloth external diffuser. Sandcast aluminum diffuser support. Gray painted assembly composed of tubular aluminum arms and tie rods, stainless steel spring, and die-cast aluminum joints. Sand-cast aluminum base with six lead counterweights and gray painted spun aluminum base cover. 0-100% dimmer on power cord. Polarized power cord covered with silver fabric. NOTE: This product requires longer delivery time. Please contact Customer Service for details before ordering.

Electrical

Voltage	120
Switching	0-100% dimmer installed on the cord
IP Rating	IP20

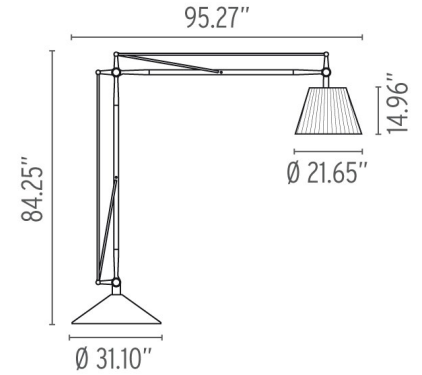
Physical

Cord Length (inches)	63" - Black
Construction Material	Aluminum and fabric
Weight	200.62 lbs



● FU637020 Plisse Cloth

Dimensional Image



Lamping (Bulb)



250W T-10 Medium Frosted Halogen

Lamping (Bulb)



LED018 PRO-T38LED 14W 120V E26
2700K DIMM - 1800lm - CRI80 Additional

Lamping (Bulb)



LED031 PRO-T38LED 14W 120V E26
3000K Dimmable - 1800lm - CRI80-
Additional