

# FLOS

## Superarchimoon Outdoor, Panama - Specification Sheet by Philippe Starck, 2006

|                                   |  |
|-----------------------------------|--|
| Mounting                          | Free Standing  |
| Lamp (Bulb) Description           | 1 x 250W T-10 Medium Frosted Halogen   |
| Environment                       | Outdoor - Wet location   |
| Finish                            | Panama   |
| Technical and Product Description | SUPERARCHIMOON outer diffuser obtained from weaves of colored PVC tubes compounds with polyester painted phospho-chromated aluminum tubular internal frame. Inner diffuser in injection-molded opal polycarbonate. "Galvanized" structural parts (base support). |

### Electrical

|           |      |
|-----------|------|
| IP Rating | IP55 |
|-----------|------|

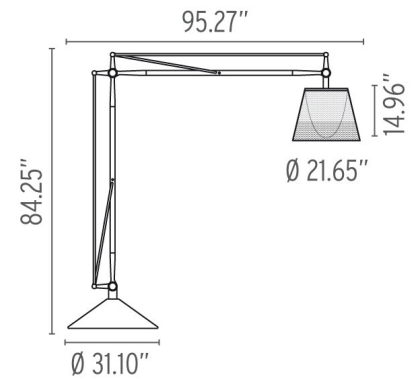
### Physical

|                       |  |
|-----------------------|--|
| Cord Length (inches)  | 393  |
| Construction Material | Aluminium, special materials for good weather resistance |
| Weight                | 356.5 lbs  |



FU636722 Panama

### Dimensional Image



### Lamping (Bulb)



250W T-10 Medium Frosted Halogen

### Lamping (Bulb)



LED018 PRO-T38LED 14W 120V E26  
2700K DIMM - 1800lm - CRI80 Additional

### Lamping (Bulb)



LED030 PRO-T38LED 13W 120V E26  
3000K DIMM - Additional