

MONORAIL

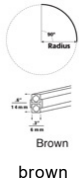
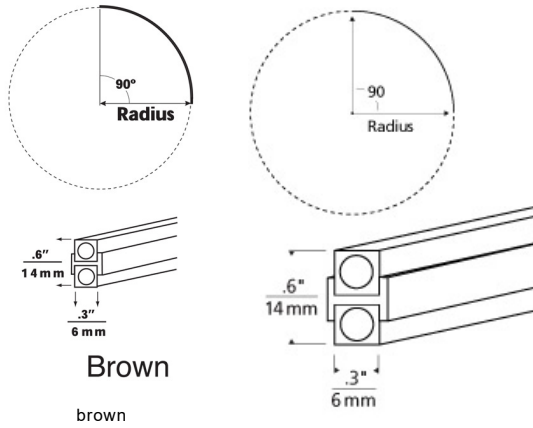
Pre-Bent 90° Curve MonoRail

DESCRIPTION

Horizontal 90° curves are sold by radius, or the distance from the center of the circle to the outside edge. Join four 90° curves to create a circle with a diameter (overall width) equal to twice the specified radius. For a factory bend not shown, please call for a custom quotation.

WEIGHT

0.21-1.72lb / 0.1-0.78kg ±



ORDERING INFORMATION

700MOBH90	SHAPE OR SIZE	COLOR	FINISH
12	PRE-BENT 90° CURVE	BR BROWN	Z ANTIQUE BRONZE
18	PRE-BENT 90° CURVE	CLEAR	S SATIN NICKEL
24	PRE-BENT 90° CURVE		
36	PRE-BENT 90° CURVE		
48	PRE-BENT 90° CURVE		
60	PRE-BENT 90° CURVE		



700MOBH90 _____

FIXTURE TYPE: _____

JOB NAME: _____

NOTES: _____
