

FLOS

Glo-Ball C2 (Halogen) - Specification Sheet by Jasper Morrison, 1998

Mounting	Ceiling
Lamp (Bulb) Description	1 x 150W T-8 Medium Frosted Halogen (Included)
Canopy Dimension	Diameter 5.7"
Environment	Indoor - Dry Location
Dimming	Phase-cut Dimming / Triac Type
Finish	Opal
Technical and Product Description	GLO-BALL C2 ceiling-mounted fixture providing diffused light. Diffuser consisting of an externally acid-etched, hand blown, opaline glass and of a die-cast aluminum threaded ring nut with alodine plating finish. A 30% fiberglass reinforced injection-molded polyamide ceiling fitting; gray painted die-cast aluminum diffuser support.

Electrical

Voltage	120
IP Rating	IP40

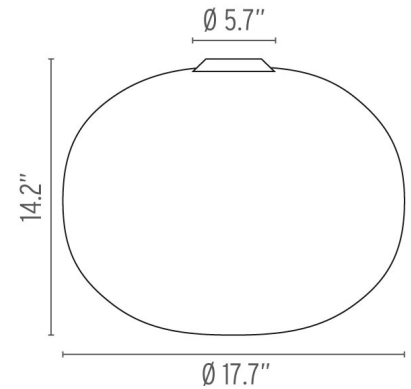
Physical

Construction Material	Glass
Weight	11.25 lbs



FU302800 Opal

Dimensional Image



Certifications



Lamping (Bulb)



150W T8 E26 Frosted Halogen

Lamping (Bulb)



LED018 PRO-T38LED 14W 120V E26 2700K
DIMM - 1800lm - CRI80 Additional

Lamping (Bulb)



LED031 PRO-T38LED 14W 120V E26 3000K
Dimmable - 1800lm - CRI80- Additional