

TOB2006

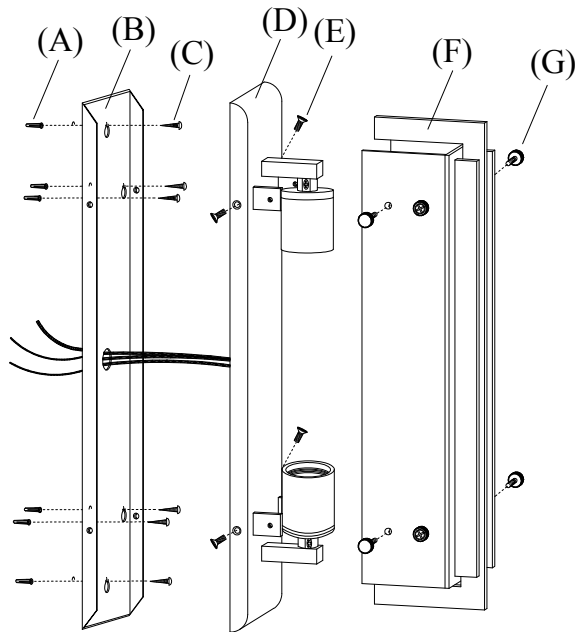
ASSEMBLY & INSTALLATION GUIDE

WE RECOMMEND INSTALLATION OF THIS LIGHTING FIXTURE BE DONE BY A LICENSED ELECTRICIAN.

WARNING * SWITCH OFF THE MAIN ELECTRICAL SUPPLY FROM THE MAIN FUSE BOX/CIRCUIT BREAKER BEFORE INSTALLATION.**

INSPECT ITEM CAREFULLY BEFORE ATTEMPTING TO INSTALL. IF THERE IS ANY DAMAGE OR OBVIOUS DEFECT, DO NOT INSTALL.

ITEM MAY NOT BE RETURNED ONCE IT HAS BEEN INSTALLED.



1. Place light fixture on the wall at desired height and mark outline position of fixture base (D). Use a level to make sure the fixture is level.
2. To detach back plate (B) from the light fixture by unscrewing base screws (E).
3. Remove shade assembly (F) from fixture base (D) by unscrewing thumbscrews (G) in counter-clockwise direction.
4. Place back plate (B) onto the wall, align with pencil marking and mark the centers of the screw holes with the pencil.
5. Drill small holes into your pencil marks on the wall. The holes should be large enough to accommodate the plastic anchors (A). Push the plastic anchors into the holes in the wall.
6. Attach ground (chrome or copper in color) fixture wire to ground wire from ceiling outlet box (usually green or copper in color), and fasten together with a plastic wire connector. Tightly wrap the wire connector with electrical tape so the end of the connector is sealed.

IT IS IMPERATIVE THAT THE OUTLET BOX IN YOUR HOME BE PROPERLY GROUNDED.

7. Connect neutral (white) fixture wire to neutral (usually white) wire from wall outlet box. Fasten both wires together with a plastic wire connector and tightly wrap the wire connector with electrical tape.
8. Repeat the procedure with the hot (black) wires. Always make sure that no wire strands are left outside the connectors.

DO NOT REVERSE THE HOT AND NEUTRAL CONNECTIONS OR SAFETY WILL BE COMPROMISED.

9. Position back plate (B) on the wall and attach to plastic anchors (A) with back plate screws (C) provided.
10. Gently push fixture base (D) onto the affixed back plate (B), and secure with base screws (E).
11. Insert light bulbs into sockets.
12. Attach shade assembly (F) onto fixture base (D) and secure with thumbscrews (G).
13. TO CHANGE LIGHT BULB:
Hold shade assembly (F) while loosening thumbscrews (G). Use Type A-15, maximum 60 watt bulb. Replace shade assembly (F) back and tighten by thumbscrews.