

ASSEMBLY INSTRUCTIONS

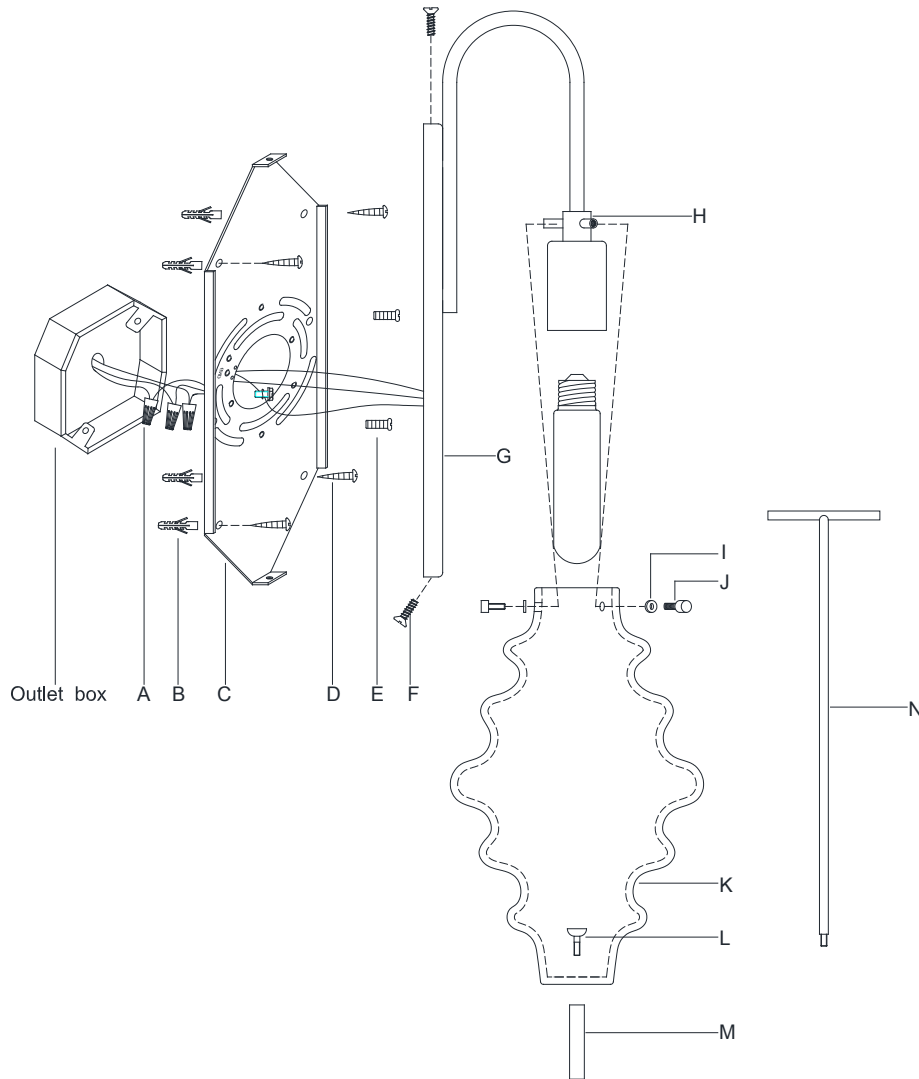


Tableau Large Sconce

Item # KW 2270

WE RECOMMEND INSTALLATION OF THIS LIGHTING FIXTURE BE DONE BY A LICENSED ELECTRICIAN.

WARNING*SWITCH OFF THE MAIN ELECTRICAL SUPPLY FROM THE MAIN FUSE BOX/CIRCUIT BREAKER BEFORE INSTALLATION.**

INSPECT ITEM CAREFULLY BEFORE ATTEMPTING TO INSTALL. IF THERE IS ANY DAMAGE OR OBVIOUS DEFECT. DO NOT INSTALL.

ITEM MAY NOT BE RETURNED ONCE IT HAS BEEN INSTALLED.

NOTE: CAREFULLY UNPACK EACH PIECE IN TOP LAYER OF PACKING PRIOR TO REMOVING. RETAIN ALL PACKING MATERIAL UNTIL INSPECTION AND INSTALLATION ARE FINAL.

1. Carefully remove all parts from the box.
2. Remove the mounting plate (C) from the backplate (G) by loosening side screws (F).
3. Drill 4 holes on the wall and make sure the hole distance will match to the holes on the mounting plate (C) exactly.
4. Knock the anchors (B) into the wall holes.
5. Affix mounting plate (C) onto the outlet box and secure with mounting screws (E). Then secure the screws (D) to the anchors (B).
6. Connect the hot wire (BLACK) from the fixture to the hot wire from the outlet box (usually BLACK). Fasten them together with a plastic wire connector (A) provided and wrap the connection with electrical tape.
7. Connect the neutral wire (WHITE) from the fixture to the wire from the outlet box (usually WHITE).

DO NOT REVERSE THE HOT AND NEUTRAL CONNECTIONS OR SAFETY WILL BE COMPROMISED.

8. Connect ground wire from the fixture (bare copper) to ground wire from the outlet box (usually green or copper in color).

IT IS IMPERATIVE THAT THIS FIXTURE BE GROUNDED.

9. Attach the backplate (G) onto the mounting plate (C) and secure with side screws (F).
10. Attach the finial (M) to the glass shade (K) and secure with screw (L) and wrench (N).
11. Insert bulb (not included) into the socket.
12. Attach the glass shade (K) to the connector (H) and secure with rubber washer (I) and screws (J).
13. Installation is complete, turn on power at fuse or circuit breaker.

***Clean with a dry, soft cloth only. Use no harsh abrasives or chemical agents.



VISUAL COMFORT & Co. Est. 1987