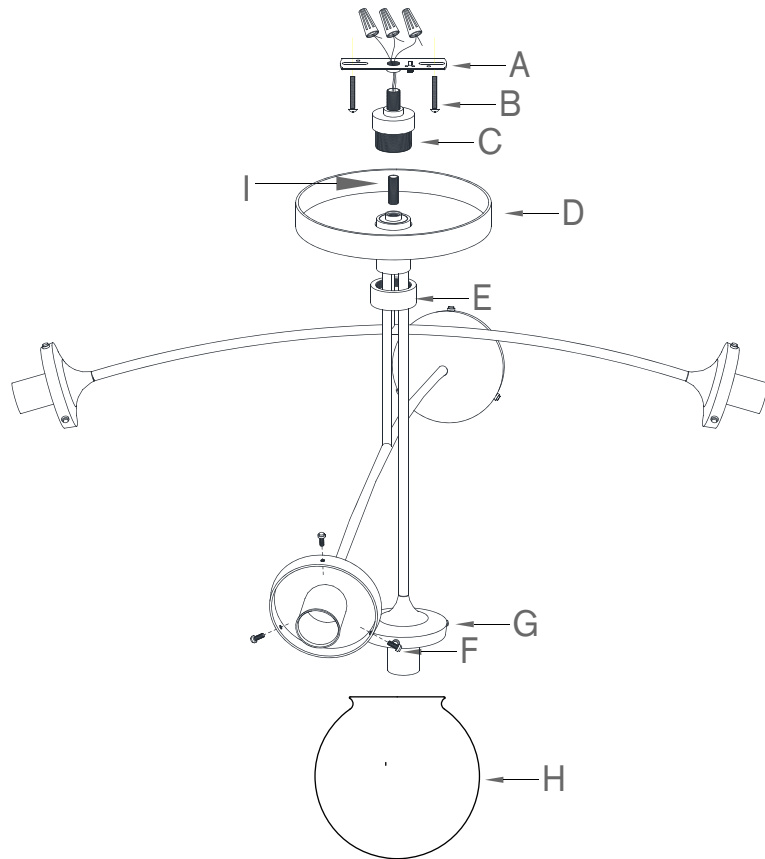


ASSEMBLY INSTRUCTIONS

For Flush Mount:



Prescott Large Semi-Flush Chandelier
Item # KS5403

WE RECOMMEND INSTALLATION OF THIS LIGHTING FIXTURE BE DONE BY A LICENSED ELECTRICIAN.

WARNING * SWITCH OFF THE MAIN ELECTRICAL SUPPLY FROM THE MAIN FUSE BOX/CIRCUIT BREAKER BEFORE INSTALLATION.**

INSPECT ITEM CAREFULLY BEFORE ATTEMPTING TO INSTALL. IF THERE IS ANY DAMAGE OR OBVIOUS DEFECT, DO NOT INSTALL.

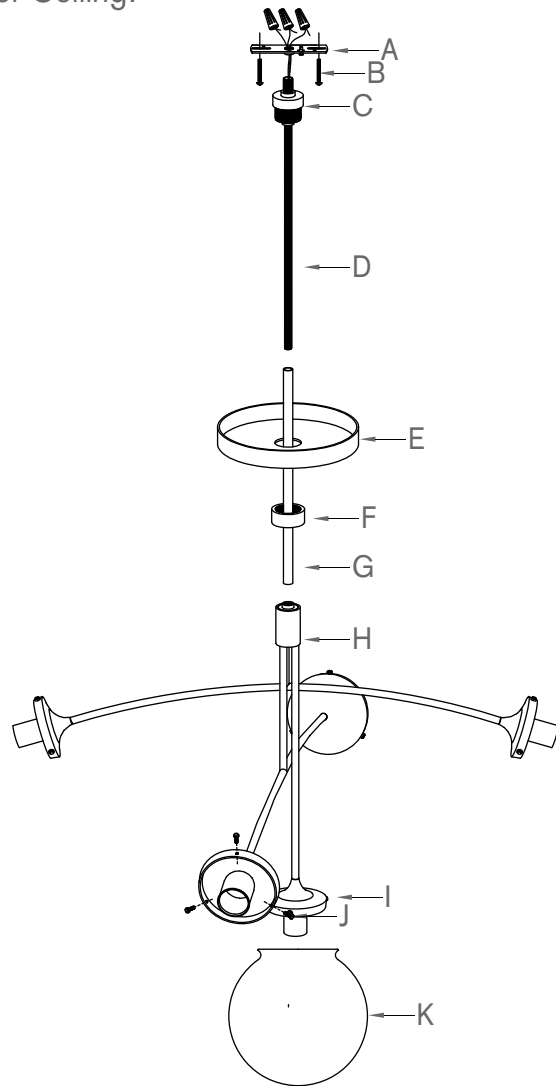
ITEM MAY NOT BE RETURNED ONCE IT HAS BEEN INSTALLED.

1. Carefully remove all parts from the carton.
2. Affix mounting plate (A) to ceiling outlet box with mounting screws (B) provided.
3. Unscrew collar (E) from mounting loop (C), slide canopy (D) onto the stem of light fixture.
4. Screw connection rod (I) into the center hole on canopy (D).
5. Screw mounting loop (C) onto the connection rod (I) by turning clockwise direction.
6. Screw the top nipple on mounting loop (C) into the center hole of mounting plate (A).
7. Attach ground (green or green/yellow) wire to ground wire from wall outlet box (usually green or copper in color), fasten together with a plastic wire connector. Tighten wrap the wire connector with electrical tape, so the end of the connector is sealed. IT IS IMPERATIVE THAT THE OUTLET BOX IN YOUR HOME BE PROPERLY GROUNDED.
8. Connect neutral (white) fixture wire coming from fixture base to neutral (usually white) outlet wire. Fasten both wires together with a plastic wire connector and tightly wrap the wire connector with electrical tape.
9. Repeat the procedure with the hot (black) wires. Always make sure that no wire strands are left outside the connectors. DO NOT REVERSE THE HOT AND NEUTRAL CONNECTIONS OTHERWISE SAFETY WILL BE COMPROMISED.
10. Slip canopy (D) to ceiling outlet and secure with collar (E).
11. Insert light bulbs into sockets.
12. Loosen set screws (F), attach glass shade (H) (packed separately) to shade holder (G) and secure by tighten set screws (F). DO NOT OVER TIGHTEN OTHERWISE THE GLASS WILL BE DAMAGED.
13. Restore power and test fixture. Installation is completed.

*** Clean with a dry, soft cloth only. Use no harsh abrasives or chemical agents.

ASSEMBLY INSTRUCTIONS

For Ceiling:



Prescott Large Semi-Flush Chandelier Item # KS5403

WE RECOMMEND INSTALLATION OF THIS LIGHTING FIXTURE BE DONE BY A LICENSED ELECTRICIAN.

WARNING * SWITCH OFF THE MAIN ELECTRICAL SUPPLY FROM THE MAIN FUSE BOX/CIRCUIT BREAKER BEFORE INSTALLATION.**

INSPECT ITEM CAREFULLY BEFORE ATTEMPTING TO INSTALL. IF THERE IS ANY DAMAGE OR OBVIOUS DEFECT, DO NOT INSTALL.

ITEM MAY NOT BE RETURNED ONCE IT HAS BEEN INSTALLED.

1. Carefully remove all parts from the carton.
2. Screw rod (D) into the top opening of joint (H), make sure the rod (D) should pass through the tube (G).
2. Affix mounting plate (A) to ceiling outlet box with mounting screws (B) provided.
3. Unscrew collar (F) from mounting loop (C), slide canopy (E) onto the tube (G).
4. Screw the top nipple on mounting loop (C) into the center hole of mounting plate (A).
5. Attach ground (green or green/yellow) wire to ground wire from wall outlet box (usually green or copper in color), fasten together with a plastic wire connector. Tighten wrap the wire connector with electrical tape, so the end of the connector is sealed. IT IS IMPERATIVE THAT THE OUTLET BOX IN YOUR HOME BE PROPERLY GROUNDED.
6. Connect neutral (white) fixture wire coming from fixture base to neutral (usually white) outlet wire. Fasten both wires together with a plastic wire connector and tightly wrap the wire connector with electrical tape.
7. Repeat the procedure with the hot (black) wires. Always make sure that no wire strands are left outside the connectors. DO NOT REVERSE THE HOT AND NEUTRAL CONNECTIONS OTHERWISE SAFETY WILL BE COMPROMISED.
8. Slip canopy (E) to ceiling outlet and secure with collar (F).
9. Insert light bulbs into sockets.
10. Loosen set screws (J), attach glass shade (K) (packed separately) to shade holder (I) and secure by tighten set screws (J). DO NOT OVER TIGHTEN OTHERWISE THE GLASS WILL BE DAMAGED.
11. Restore power and test fixture. Installation is completed.

*** Clean with a dry, soft cloth only. Use no harsh abrasives or chemical agents.