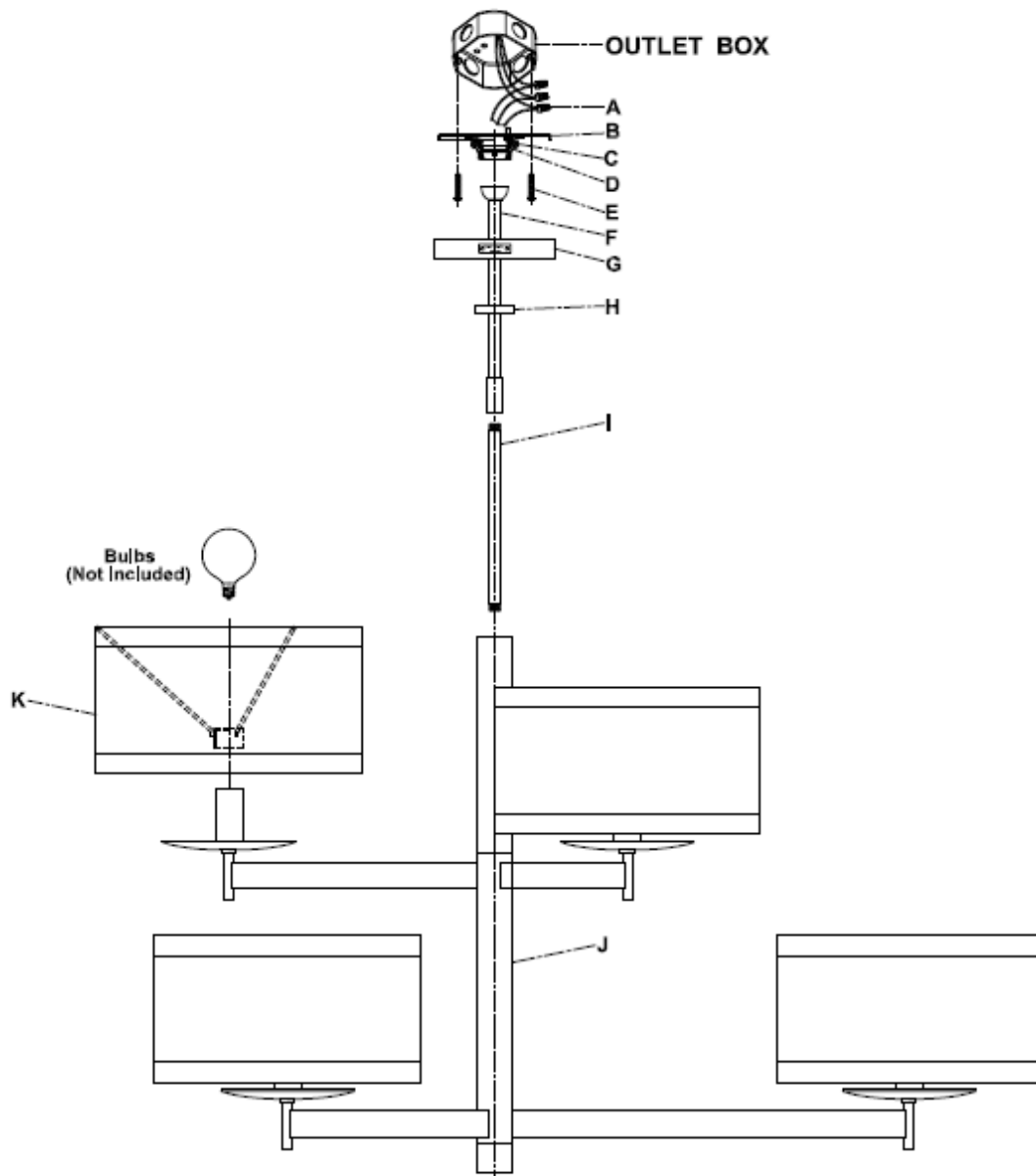


## ASSEMBLY INSTRUCTIONS



## Walker Medium Two Tier Chandelier Item # KS5070

WE RECOMMEND INSTALLATION OF THIS LIGHTING FIXTURE BE DONE BY A LICENSED ELECTRICIAN.

**WARNING\*\*\*SWITCH OFF THE MAIN ELECTRICAL SUPPLY FROM THE MAIN FUSE BOX/CIRCUIT BREAKER BEFORE INSTALLATION.**

INSPECT ITEM CAREFULLY BEFORE ATTEMPTING TO INSTALL. IF THERE IS ANY DAMAGE OR OBVIOUS DEFECT. DO NOT INSTALL.

ITEM MAY NOT BE RETURNED ONCE IT HAS BEEN INSTALLED.

**NOTE: CAREFULLY UNPACK EACH PIECE IN TOP LAYER OF PACKING PRIOR TO REMOVING. RETAIN ALL PACKING MATERIAL UNTILL INSPECTION AND INSTALLATION ARE FINAL.**

1. Carefully remove all parts from the box.
2. Screw off the mounting plate (B) from the canopy (G) by lock collar (H).
3. Loosen screws (C) on both sides of bracket (D).
4. Thread the tube (F) to the tube (I).
5. Pass cord from fixture (J) through the tube (I) and thread the tube (I) to fixture (J).
6. Pass cord through the lock collar (H), canopy (G) and mounting bracket (B).
7. Install mounting plate (B) to the outlet box by screws (E).
8. Connect the ground wire from fixture (J) to the ground wire from ceiling box.  
IT IS IMPERATIVE THAT THIS FIXTURE BE GROUNDED.
9. Connect the hot wire from fixture (J) to the hot wire from ceiling box using wire nuts (A).
10. Repeat this procedure for the neutral wire from the fixture to the neutral wire from ceiling box using wire nuts (A).
11. **DO NOT REVERSE THE HOT AND NEUTRAL CONNECTIONS OR SAFETY WILL BE COMPROMISED.**
12. Push the bracket (D) down to the swivel on top of tube (F) and fix by screws (C).
13. Install the canopy (G) to the mounting plate (B) by lock collar (H).
14. Install the shade (K) to the socket sleeve.
15. Insert bulbs (not included) into the sockets.
16. Installation is complete, turn on power at fuse or circuit breaker.

\*\*\*Clean with a dry, soft cloth only. Do not use harsh abrasives or chemical agents.

