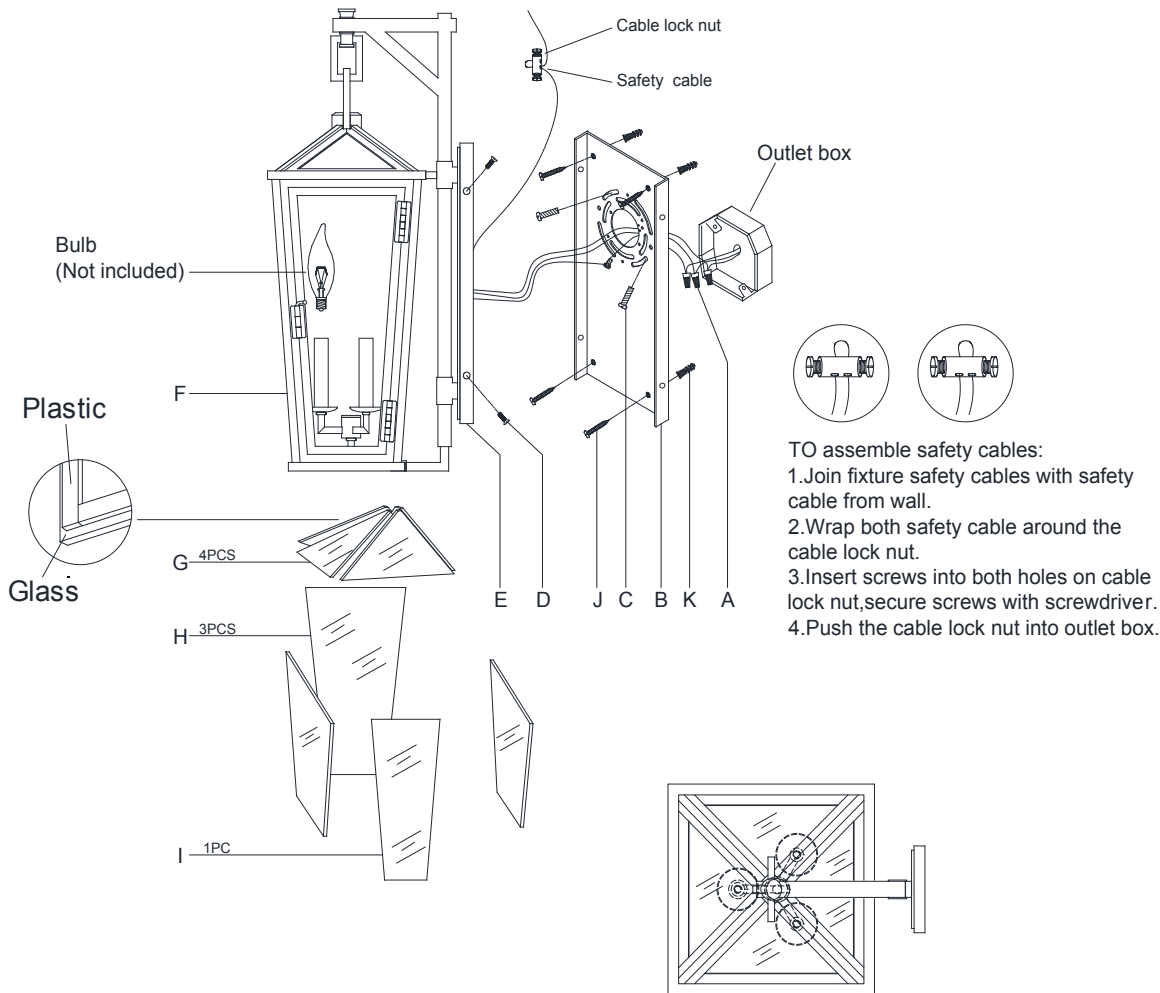


ASSEMBLY INSTRUCTIONS



TO assemble safety cables:
 1. Join fixture safety cables with safety cable from wall.
 2. Wrap both safety cable around the cable lock nut.
 3. Insert screws into both holes on cable lock nut, secure screws with screwdriver.
 4. Push the cable lock nut into outlet box.

Darlana Medium/Large Tall Bracketed Wall Lantern

Item # CHO 2788/CHO 2789

WE RECOMMEND INSTALLATION OF THIS LIGHTING FIXTURE BE DONE BY A LICENSED ELECTRICIAN.

WARNING*SWITCH OFF THE MAIN ELECTRICAL SUPPLY FROM THE MAIN FUSE BOX/CIRCUIT BREAKER BEFORE INSTALLATION.**

INSPECT ITEM CAREFULLY BEFORE ATTEMPTING TO INSTALL. IF THERE IS ANY DAMAGE OR OBVIOUS DEFECT. DO NOT INSTALL.

ITEM MAY NOT BE RETURNED ONCE IT HAS BEEN INSTALLED.

NOTE: CAREFULLY UNPACK EACH PIECE IN TOP LAYER OF PACKING PRIOR TO REMOVING. RETAIN ALL PACKING MATERIAL UNTIL INSPECTION AND INSTALLATION ARE FINAL.

1. Carefully remove all parts from the box.
2. Remove the mounting plate (B) from the backplate (E) by loosening the side screws (D).
3. Drill 4 holes on the wall and make sure the hole distance will match to the holes on the mounting plate (B) exactly.
4. Knock the anchors (K) into the wall holes.
5. Attach the mounting plate (B) to the outlet box then secure with mounting screws (C), then secure the screws (J) to the anchors (K).
6. Connect the fixture Ground (bare) wire with the ground wire from the outlet box using wire nut (A). If your house does not have ground wire, then attach this wire to the green grounding screw inside of the outlet box.

IT IS IMPERATIVE THAT THIS FIXTURE BE GROUNDED.
7. Connect the fixture Neutral wire (WHITE) with the neutral wire from the outlet box using wire nut (A).
8. Connect the fixture Hot (BLACK) wire with the hot wire from the outlet box using wire nut (A).

DO NOT REVERSE THE HOT AND NEUTRAL CONNECTIONS OR SAFETY WILL BE COMPROMISED.
9. Attach backplate (E) to the mounting plate (B) and secure with side screws (D).
10. Insert bulbs (not included) into the sockets.

IMPORTANT: PLEASE FOLLOWING BELOW ASSEMBLY PROCESS STRICTLY OTHERWISE THE GLASS WILL BE VERY DIFFICULT TO INSTALL.
11. Place glass panels (H) on the frame (F) and secure it by bending the metal tabs.
12. Place glass panels (G) on the frame (F) and secure it by bending the metal tabs, and make sure the glass panels outside with plastic rod.

ASSEMBLY INSTRUCTIONS

Darlana Medium/Large Tall Bracketed Wall Lantern

Item # CHO 2788/CHO 2789

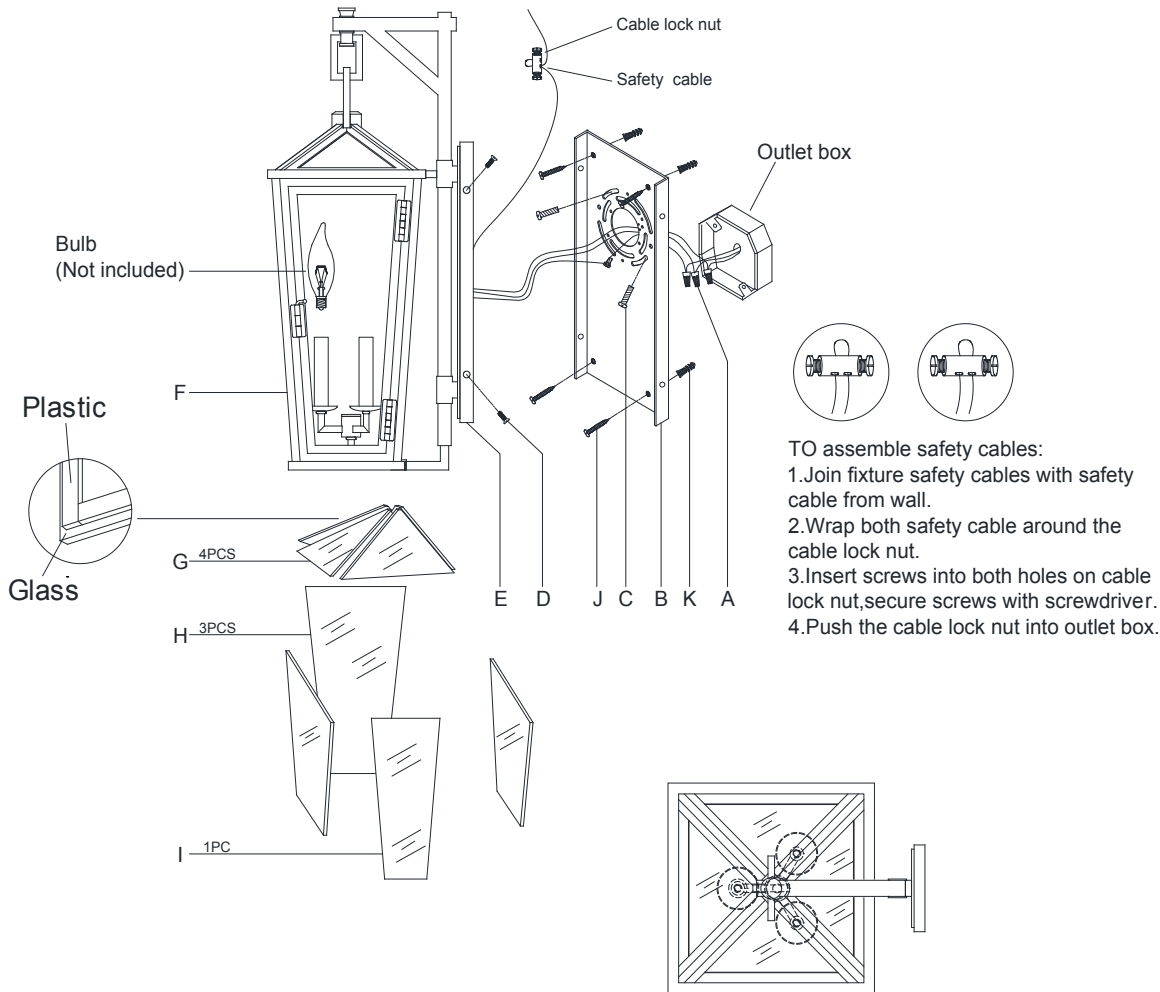
WE RECOMMEND INSTALLATION OF THIS LIGHTING FIXTURE BE DONE BY A LICENSED ELECTRICIAN.

WARNING*SWITCH OFF THE MAIN ELECTRICAL SUPPLY FROM THE MAIN FUSE BOX/CIRCUIT BREAKER BEFORE INSTALLATION.**

INSPECT ITEM CAREFULLY BEFORE ATTEMPTING TO INSTALL. IF THERE IS ANY DAMAGE OR OBVIOUS DEFECT. DO NOT INSTALL.

ITEM MAY NOT BE RETURNED ONCE IT HAS BEEN INSTALLED.

NOTE: CAREFULLY UNPACK EACH PIECE IN TOP LAYER OF PACKING PRIOR TO REMOVING. RETAIN ALL PACKING MATERIAL UNTIL INSPECTION AND INSTALLATION ARE FINAL.



13. Place glass panel (I) on the frame (F) and secure it by bending the metal tabs.

14. Installation is complete, turn on power at fuse or circuit breaker.

***Clean with a dry, soft cloth only. Use no harsh abrasives or chemical agents.

WITH SILLICONE CAULKING COMPOUND, CAULK COMPLETELY AROUND WHERE BACK OF CANOPY MEETS THE WALL SURFACE TO PREVENT WATER FROM SEEPING INTO J-BOX.