

## ASSEMBLY INSTRUCTIONS

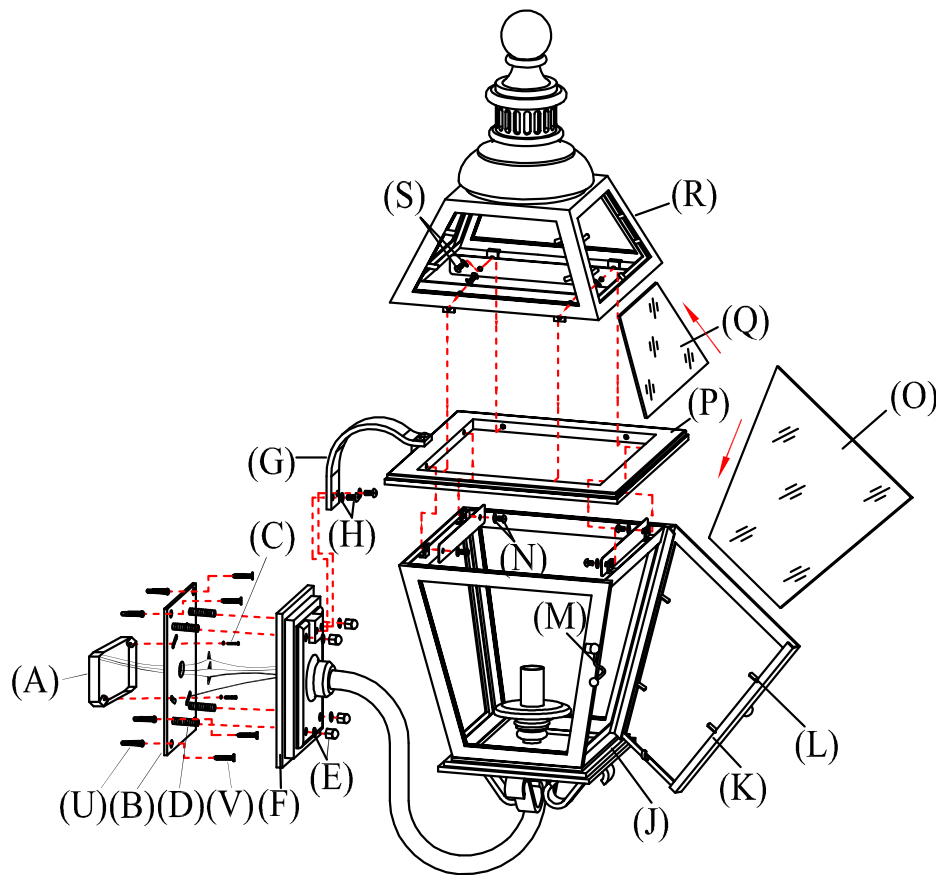
### Chelsea Lantern Item # CHO2111

**WE RECOMMEND INSTALLATION OF THIS LIGHTING FIXTURE BE DONE BY A LICENSED ELECTRICIAN.**

**WARNING \*\*\* SWITCH OFF THE MAIN ELECTRICAL SUPPLY FROM THE MAIN FUSE BOX/CIRCUIT BREAKER BEFORE INSTALLATION.**

**INSPECT ITEM CAREFULLY BEFORE ATTEMPTING TO INSTALL. IF THERE IS ANY DAMAGE OR OBVIOUS DEFECT, DO NOT INSTALL.**

**ITEM MAY NOT BE RETURNED ONCE IT HAS BEEN INSTALLED.**



1. Remove back plate (B) from fixture base (F) by unscrewing washers/cap nuts (E) in counter-clockwise direction.
2. Position back plate (B) onto outlet box (A) in desired orientation and use it as a template, mark locations for four corner holes on the wall. Install plastic anchors (U) on the marked location.
3. Remove screw and washer (H) from supported band (G) in counter-clockwise direction. Remove lantern caps (R) & (P) by unscrewing screws/washers (N) & (S).
4. Attach ground (green) fixture wire to ground wire from wall outlet box (usually green or copper in color), and fasten together with a plastic wire connector. Tightly wrap the wire connector with electrical tape so the end of the connector is sealed. IT IS IMPERATIVE THAT THE OUTLET BOX IN YOUR HOME BE PROPERLY GROUNDED.
5. Connect neutral (white) fixture wire to neutral (usually white) wire from wall outlet box. Fasten both wires together with a plastic wire connector and tightly wrap the wire connector with electrical tape.
6. Repeat the procedure with the hot (black) wires. Always make sure that no wire strands are left outside the connectors. DO NOT REVERSE THE HOT AND NEUTRAL CONNECTIONS OR SAFETY WILL BE COMPROMISED.
7. Gently push lantern box fixture (J) onto outlet box (A), letting rods (D) pass through the holes on fixture base (F).
8. Position the light fixture and tighten by screwing cap nuts (E) to the exposed part of rods (D) in clockwise direction.

## ASSEMBLY INSTRUCTIONS

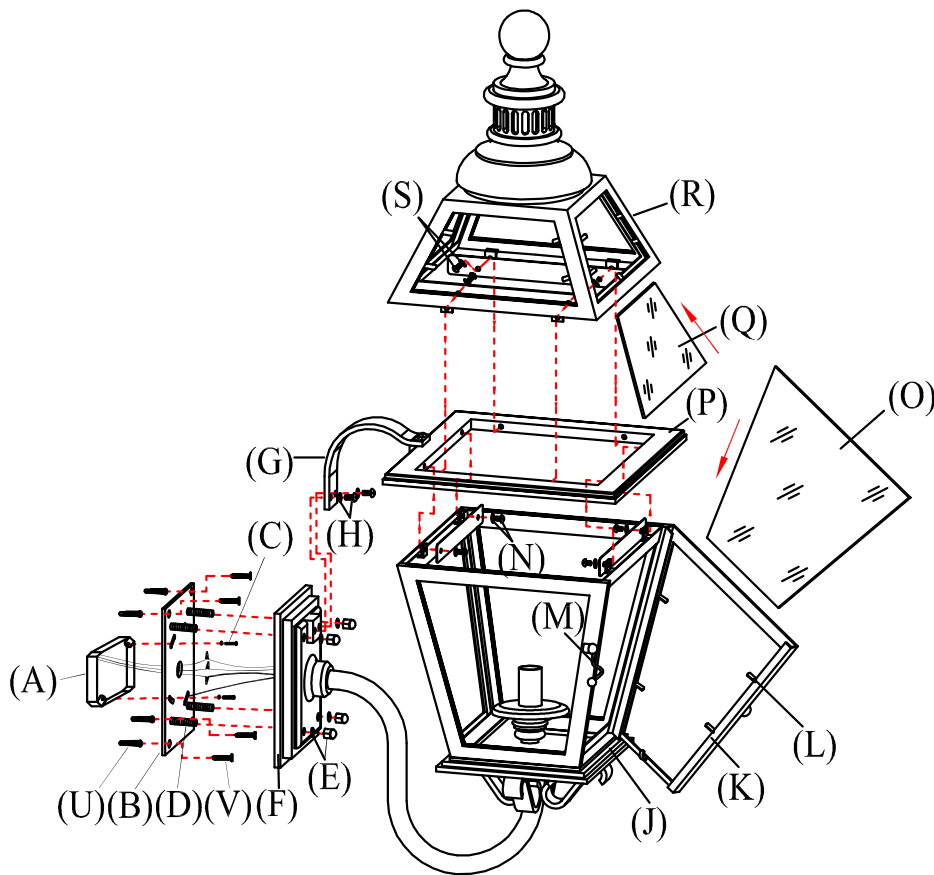
### Chelsea Lantern Item # CHO2111

**WE RECOMMEND INSTALLATION OF THIS LIGHTING FIXTURE BE DONE BY A LICENSED ELECTRICIAN.**

**WARNING \*\*\* SWITCH OFF THE MAIN ELECTRICAL SUPPLY FROM THE MAIN FUSE BOX/CIRCUIT BREAKER BEFORE INSTALLATION.**

**INSPECT ITEM CAREFULLY BEFORE ATTEMPTING TO INSTALL. IF THERE IS ANY DAMAGE OR OBVIOUS DEFECT, DO NOT INSTALL.**

**ITEM MAY NOT BE RETURNED ONCE IT HAS BEEN INSTALLED.**



- To install glass panel (O) provided to front door (K), make sure metal tab (L) is flipped up. Insert glass panel to front frame, secure the glass panel by bending back the metal tab (L) downwards. Insert the other three glass panels (O) into the other three side of the lantern box.
- Place glass panels (O) to four sides of lantern box cap (R) and secure by bending back the metal tabs downwards.
- Replace lantern box caps (R) & (P) on top of lantern box (J) and secure with brass bands and washers/
- screws (S) & (N). Align the holes on both support band (G) and fixture base (F), insert screws (H) into the holes and tighten with screwdriver. Insert light bulb into socket. Close front door (K) and secure with key (M).

#### INSTRUCTIONS FOR MOUNTING FIXTURE OUTDOORS AND/OR IN WET LOCATION:

- Mounting surface should be clean, dry, flat and 1/4" larger than the backplate on all sides. Any gaps between the mounting surface and backplate exceeding 3/16" should be corrected as required.
- With silicone (ex. GE-108) caulking compound, caulk completely around where back of the backplate meets the wall surface to prevent water from seeping into outlet box.

