

FLOS

Biagio - Specification Sheet by Tobia Scarpa, 1968

Mounting	Table Top
Lamp (Bulb) Description	1 x 72W BT-15 ECO Halogen Frosted (Included)
Environment	Indoor - Dry Location
Dimming	Dimmable
Finish	White
Technical and Product Description	The Biagio lamp was designed by Tobia Scarpa in 1968 and has been in production since then. This modernist table light is carved out of a single piece of fine white Italian Carrara marble. The one of a kind shape of the Biagio demands attention as it represents class and elegance.

The Biagio lamp uses an incandescent bulb emitting soft direct light.

Inspiration Behind the Design:

Tobia Scarpa has tried to take advantage of the sophisticated, ultramodern geometry and natural shape that comes with valued materials like Carrara marble. This is extremely evident in the shape of the Biagio. Watch the making of Biagio video [here](#).

Take a look at more lighting by Tobia Scarpa [here](#).

Electrical

Voltage	120
Switching	ON-OFF switch on cord
IP Rating	IP20

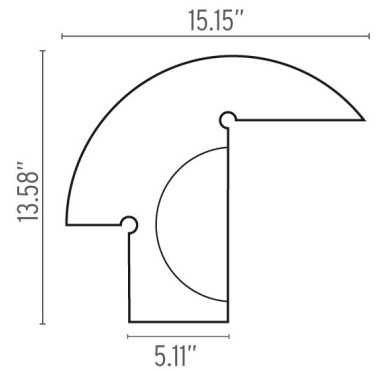
Physical

Cord Length (inches)	86" - White
Construction Material	Marble
Weight	16.5 lbs



○ F0700000 White

Dimensional Image



Lamping (Bulb)



72W BT-15 ECO Halogen

Lamping (Bulb)



LED018 PRO-T38LED 14W 120V E26
2700K DIMM - 1800lm - CRI80 Additional

Lamping (Bulb)



LED031 PRO-T38LED 14W 120V E26
3000K Dimmable - 1800lm - CRI80-
Additional