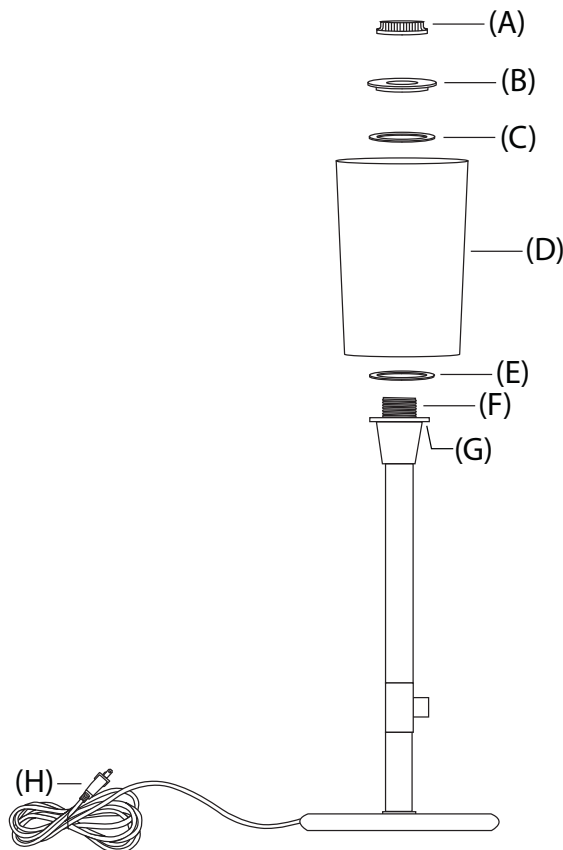


ASSEMBLY INSTRUCTIONS FOR YOUR RICO ESPINET NINA TABLE LAMP



IMPORTANT SAFETY INSTRUCTIONS

- * Turn the power off (remove electrical plug from wall outlet) before replacing light bulb, making sure the bulb has had sufficient time to cool down. Do not subject the lamp to any shock while lit as shattering of bulb may result.
- * This portable lamp has a polarized plug (one blade is wider than the other) as a feature to reduce risk of electric shock. This plug will fit in a polarized outlet only one way. If it does not fit fully in the outlet, reverse the plug. If it still does not fit, contact a qualified electrician. Never use with an extension cord unless the plug can be fully inserted.
- * DO NOT ALTER THE PLUG.
- * This lamp is UL rated for dry locations.

ASSEMBLY INSTRUCTIONS

1. Carefully remove all parts from carton.
2. Place lamp on level surface.
3. Remove flange (A) from socket (F).
6. Slide plastic washer (E) over socket (F). Plastic washer should sit against housing (G).
7. Slide glass shade (D) over socket (F).
8. Slide plastic washer (C) and metal washer (B) over socket (F).
9. To secure shade (D) to lamp, thread flange (A) onto socket (F).
10. Insert one (1) 150W MAX. Type A, medium base bulb into socket (F).
11. Remove protective plastic from polarized plug (H).
12. Insert polarized plug (H) into wall outlet.

* To clean, wipe with a soft cloth only. Do not use any chemicals or abrasive cleaners as they may damage the finish. *