

precision SOUND LAB

EPS-01 V3 ASSEMBLY INSTRUCTION

Thank you for choosing our upgraded power supply for Technics SL-1200Mk7, SL-1500C and SL-100C.

This product is made using the best components available, matched for an unsurpassed quality.

Ultrafast rectifiers provide to feed the turntable with constant DC voltage with very low ripple and a dramatic improvement in audio performance.

Generously oversized toroidal transformer (mounted in the external case), Panasonic FC audio grade capacitors, 1% tolerance metal film resistors and selected and matched components with tight tolerances make it the best external power supplies that allows the turntables to express its huge potential.

Completely discrete design, no IC's.

NO SOLDERING REQUIRED! Just use the supplied screwdriver.

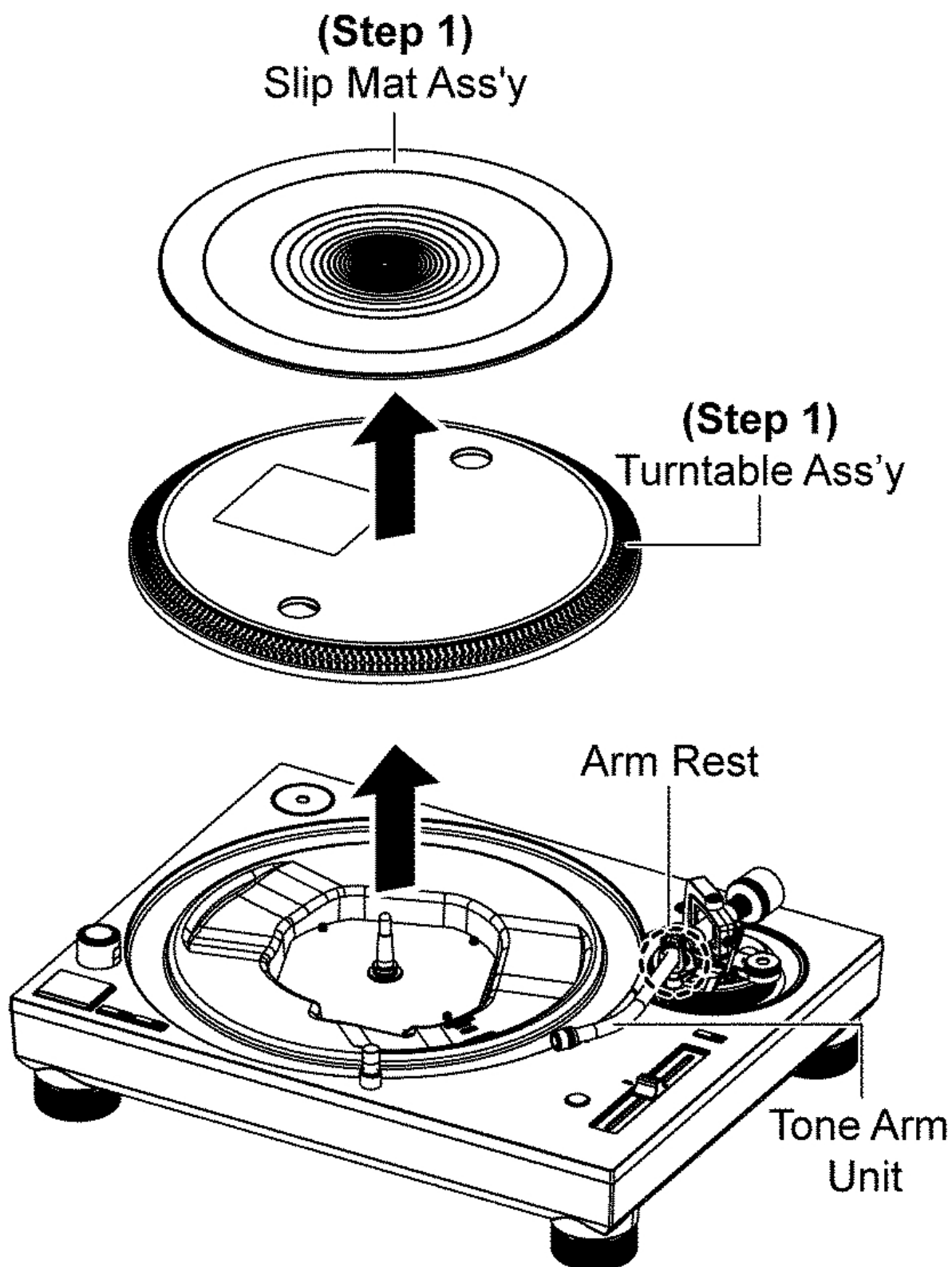


**DISCONNECT MAINS CABLE BEFORE WORKING
ON THE TURNTABLE- RISK OF ELECTRIC SHOCK**

PLEASE BE CAREFUL WITH INSTALLATION, EVEN IF WE PUT A LOT OF CARE IN THIS INSTRUCTION MANUAL WE ARE NO RESPONSIBLE FOR DAMAGES OCCURRING DUE A WRONG INSTALLATION.

STEP 1 - REMOVING THE PLATTER

Remove counterweight from the tonearm, then remove rubber mat from the turntable. Carefully remove the turntable platter putting two fingers on the holes and gently pulling out the platter.

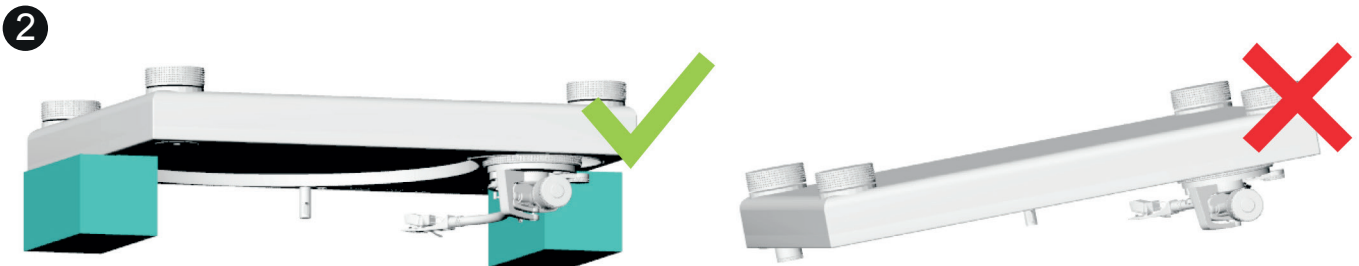


STEP 2 - PLACING THE TURNTABLE

Using a soft cloth to put upside down the turntable dustcover that will be used as a jig. Put a soft cloth on the dustcover too, to avoid scratching the turntable



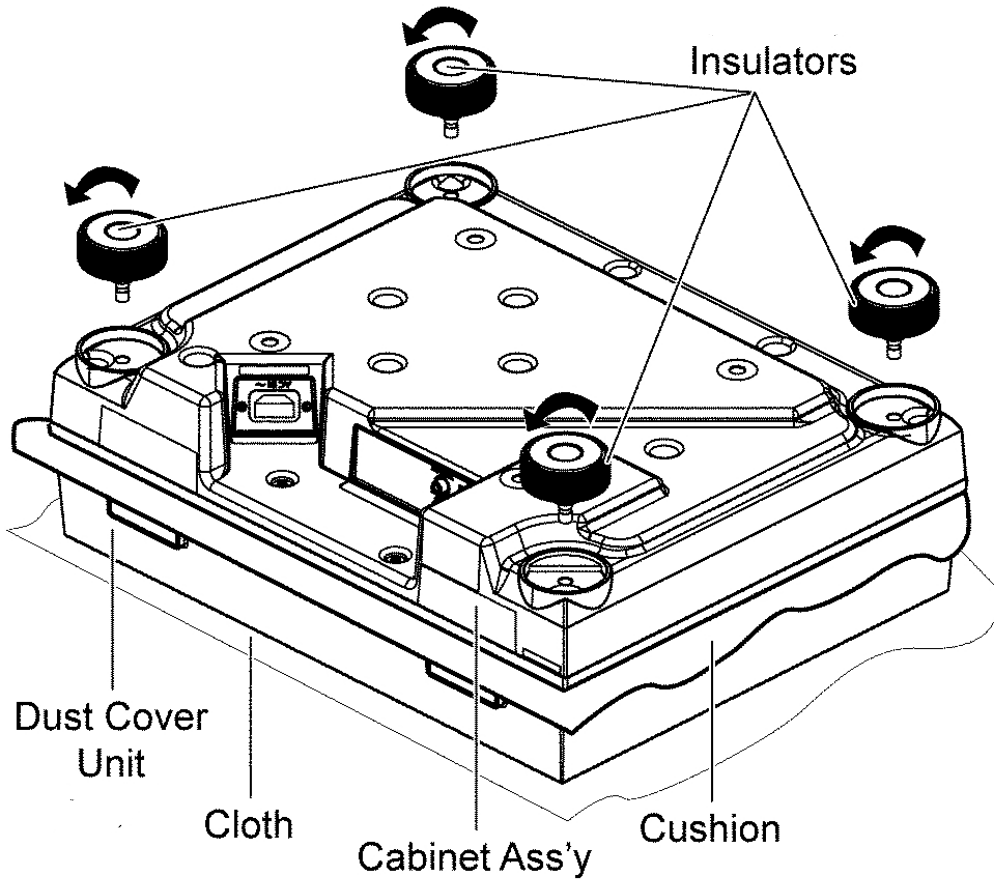
If you have not the original dustcover you can use some books or similar as spacers to be placed on the cabinet as in picture 2



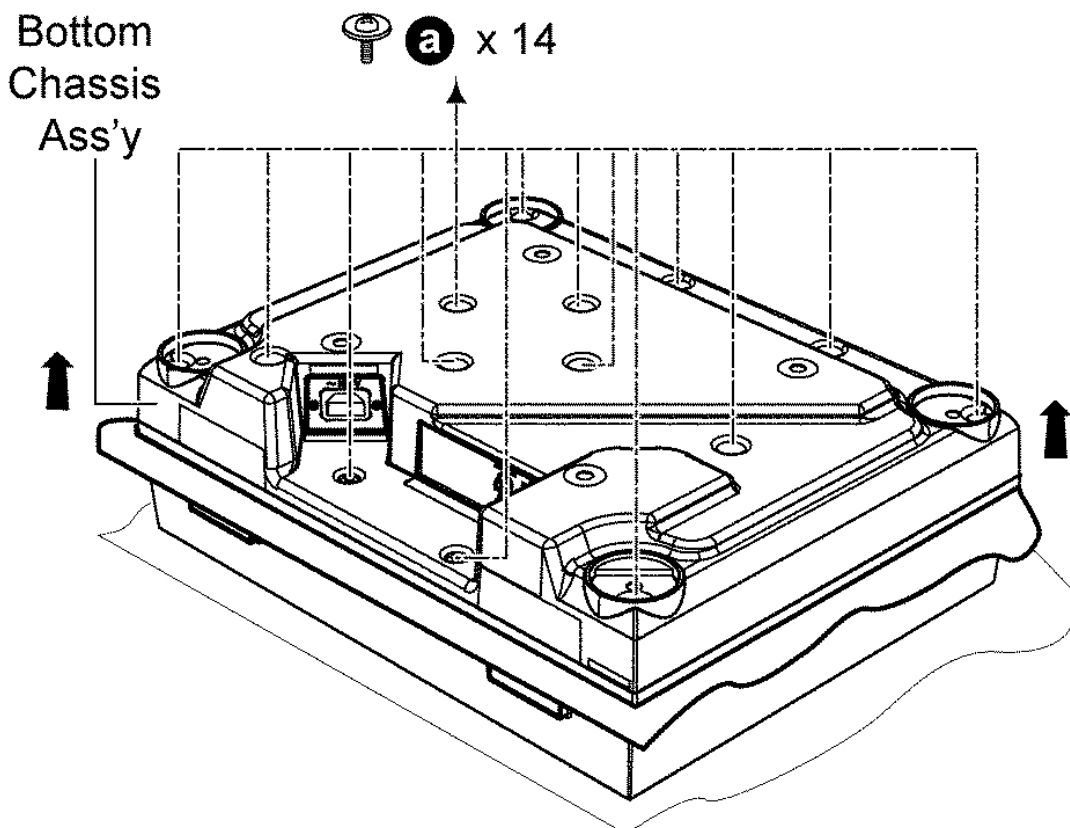
Carefully place the turntable upside down on its cover or standers.

STEP 3 - REMOVING THE BOTTOM BASE

Unscrew the 4 feet then remove all the bottom base assy screws



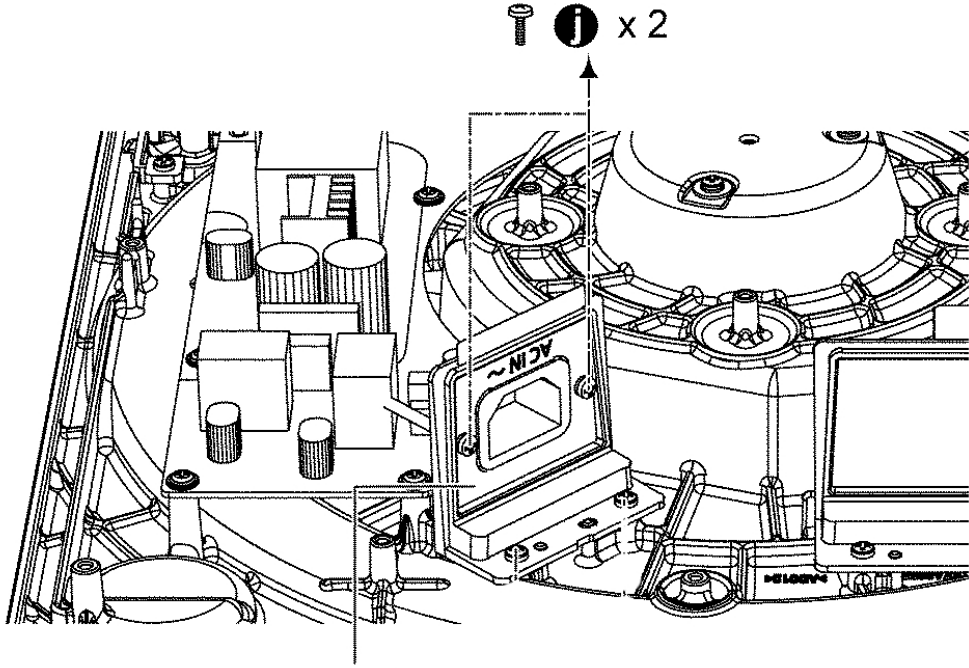
There are 14x screws in total that have all the same dimensions.



Once removed all the screws pull out the bottom base assy.

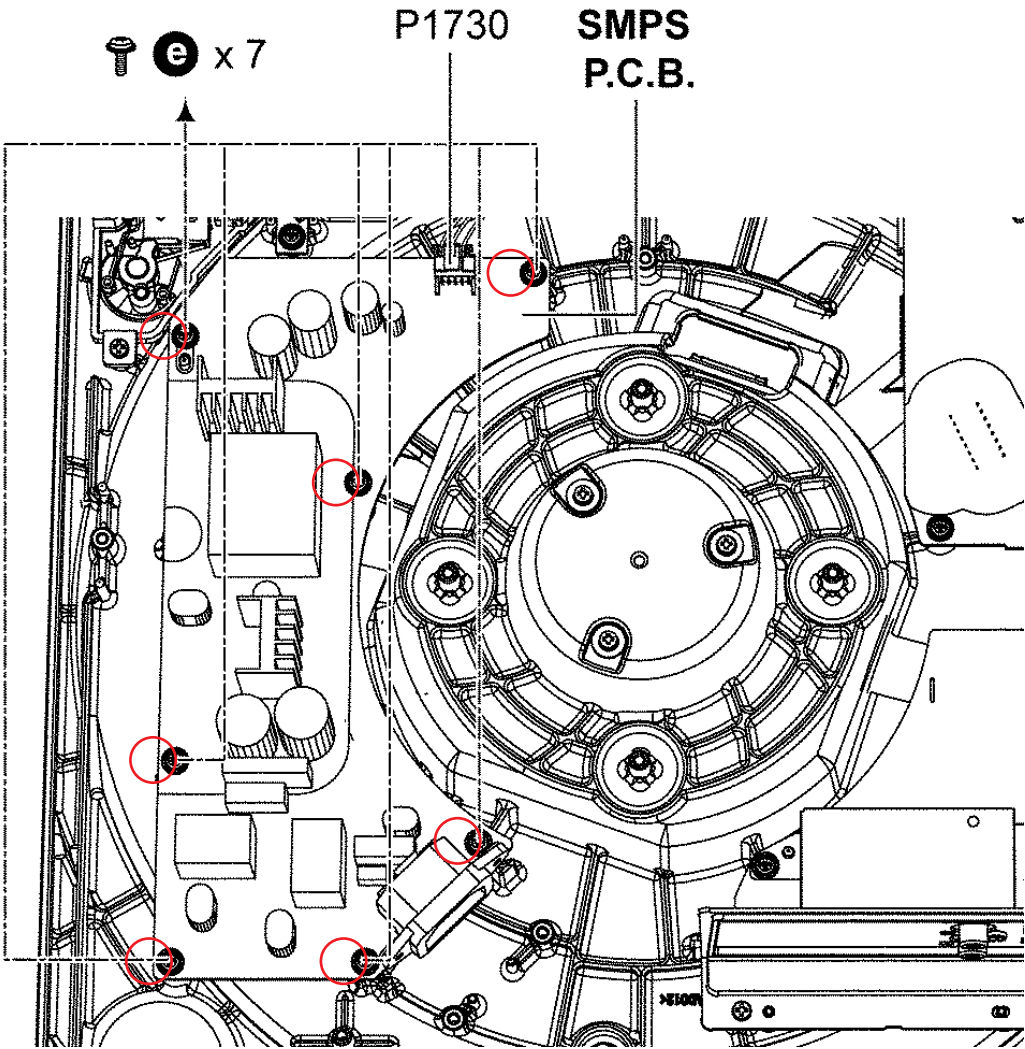
STEP 4 - REMOVING THE ORIGINAL PSU BOARD

Remove the 2x **j** screws that holding in place the mains inlet socket and keep it for the reassembling

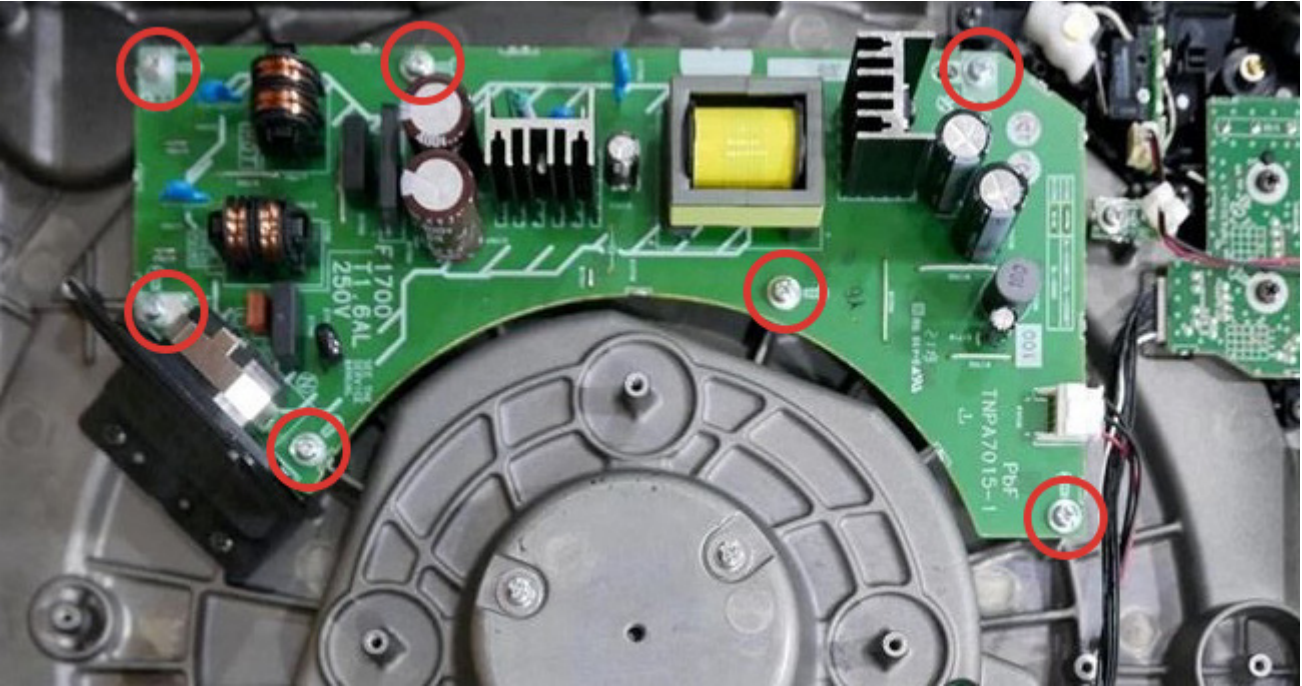


AC Holder
(Step 3)

Remove the 7x **e** screws, detach the 5 pins connector P1730 and remove the original power supply board.



Actual picture for reference.



STEP 5 - ASSEMBLY NEW PSU BOARD

Attach the 5pin connector of the ESP internal board then proceed to reassemble it using the 7x original screws.



Using the original screws install the plate with the 3pin connector in the place previously used for the IEC socket



Reassemble back the bottom base assy using the 14x screws, reinstall the 4x foot, platter and mat.

Connect the external unit to the deck BEFORE TO CONNECT MAINS CABLE, power it up and you're done.