

Quick Start Guide

Receptacle Module

RAM-15



MODEL:

RAM-15 – Receptacle Module

FUNCTION

SimpleWorx products are designed to provide simple remote control for lighting and other electrical loads without having to run any new wiring. They connect (or "link") to one another by communicating over the existing electrical power wires.

One Transmitter can be linked to as many Receivers as you like. Each Receiver can be linked to eight Transmitters.

The RAM-15 (Figure 1) is ideal for remotely controlling one or more 120VAC non-dimming appliances with a maximum rating of 15 Amps. The RAM-15 will replace any standard wall outlet, the top outlet is controlled. No additional wiring is required. Its lower outlet allows vacuums, computers, and other devices that do not require remote control to be plugged in to the normal electrical circuit.

IMPORTANT SAFETY INSTRUCTIONS

When using electrical products, basic safety precautions should always be followed, including the following:

1. READ AND FOLLOW ALL SAFETY INSTRUCTIONS.
2. Keep away from water. If the product comes in contact with water or other liquid, turn off the circuit breaker and unplug the product immediately.
3. Never use products that have been dropped or damaged.
4. Do not use this product outdoors.
5. Do not use this product for other than its intended purpose.
6. Do not connect multiple lamps or appliances that, when combined, exceed the maximum load ratings of the product.
7. To avoid any risk of fire, burns, personal injury or electric shock, install this product out of the reach of small children.
8. Do not cover this product with any material when in use.
9. This product uses grounded plugs and sockets to reduce the risk of electric shock. These plugs and sockets fit only one way. If they do not fit, consult an electrician.
10. SAVE THESE INSTRUCTIONS.



Figure 1

INSTALLATION

The Receptacle Module is designed for indoor use with devices that plug into a grounded power outlet. To install the RAM-15 module:

1. Disable circuit supplying power to outlet at the circuit breaker or fuse panel.
2. Remove the existing wall plate and outlet
3. Label wires connected to existing device.
4. Disconnect existing device.
5. Strip wires have a length of 1/2" of bare wire.
6. Install device per wiring diagram below.
7. Torque terminal screws to 12-14 inch-pounds
8. Mount the receptacle in to the wall box.
9. Attach wall plate, and then restore power to the circuit.
10. Plug the controlled device into the top socket on receptacle module. The appliance/device current rating must not exceed 15 Amps.
11. Turn the device's power switch to its ON position.

If desired, another device can be plugged into the bottom outlet of the receptacle module, which is always powered.

CAUTION: Do not insert metal objects into the module while it is connected to power.

Quick Start Guide

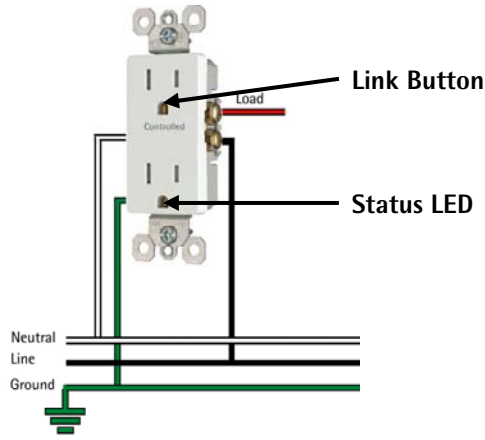
Receptacle Module

RAM-15



WIRING DIAGRAM

RAM-15



OPERATION

Linking a Transmitter to a Receiver

Any SimpleWorx transmitter can remotely control one (or more) SimpleWorx Receiver(s) by following the steps below to "LINK" the two together:

1	At the SimpleWorx Transmitter; Press and hold its rocker switch or Link button for 6 seconds. The LED will flash GREEN and flash its load (if a load is connected)
2	At the SimpleWorx Receiver; Press and hold the rocker switch or link button for 6 seconds. The LED will flash GREEN and flash its load (if a load is connected)
3	The Receiver will indicate (within 30 seconds) the two devices have automatically "LINKED" to one another when the LED stops flashing and blinks its load once.
4	The Transmitter may be taken out of "LINK" mode by tapping its rocker switch or link button once. The LED will stop flashing and blinks its load (if a load is connected). Note: The TX will automatically timeout in after 5 minutes

Erasing ALL Links

Step	Status
1	Press and hold the Link Button for at least 6 seconds. The LED will flash green.
2	Tap the button 10 times to clear the LINKS.
3	The LED will flash 10 times before returning to solid RED to indicate all links have been erased.

Status LED Indicator

The RAM-15 is equipped with a bi-color status LED that is normally lit to red. This LED indicator will flash different colors to indicate configuration status as outlined below:

LED Color	Status
Solid RED	Power applied to Module
Blinks GREEN	Device is in LINK MODE
Flashes GREEN	Transmitting a SPC™ message

CERTIFICATION

This product has been thoroughly tested by Intertek Testing Services, a nationally recognized independent third-party laboratory. The North American ETL Listed mark signifies that the product has been tested to and has met the requirements of a widely recognized consensus of US and Canadian product safety standards, that the manufacturing site has been audited, and that the manufacturer has agreed to a program of quarterly factory follow-up inspections to verify continued conformance.



LIMITED WARRANTY

Seller warrants this product, if used in accordance with all applicable instructions, to be free from original defects in materials and workmanship for a period of five years from the date of purchase. Refer to the warranty information on the PCS website (www.pcslighting.com) for exact details.