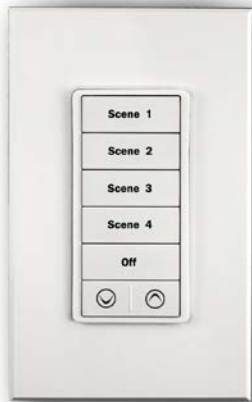




Model KPLC7 Keypad Load Controller

Installation Guide and Owner's Manual



FUNCTION

The KPLC7 PRC Load Controller together with the RM-0-10V receiving module allows for changing the illumination level of a 10-10V controlled LED fixture. It can also transmit and receive UPB® (Universal Powerline Bus) digital commands over the existing power wiring to remotely turn on, off, and dim other UPB load control devices. No additional wiring is required and no radio frequency signals are used for communication.

In the default configuration, the buttons do not transmit UPB commands but only control the LED fixture attached to the RM-0-10V receiving module. The buttons can be changed to transmit using the UPB configuration program UPStart.

Models

The KPLC7 can be mounted in any wall box that contains neutral, line, load and ground wires. Available colors are White, Black, and Light Almond.

Engraved Buttons

The KPLC7 has white backlit buttons engraved with the designations of: Scene 1, Scene 2, Scene 3, Scene 4, Off, and an Up Arrow and Down Arrow. Custom Engraved buttons (model CEB) are available enabling you to tailor each button for its particular use. Consult your dealer or our website (www.pcslighting.com) for CEB ordering information.

IMPORTANT SAFETY INSTRUCTIONS

When using electrical products, basic safety precautions should always be followed, including the following:

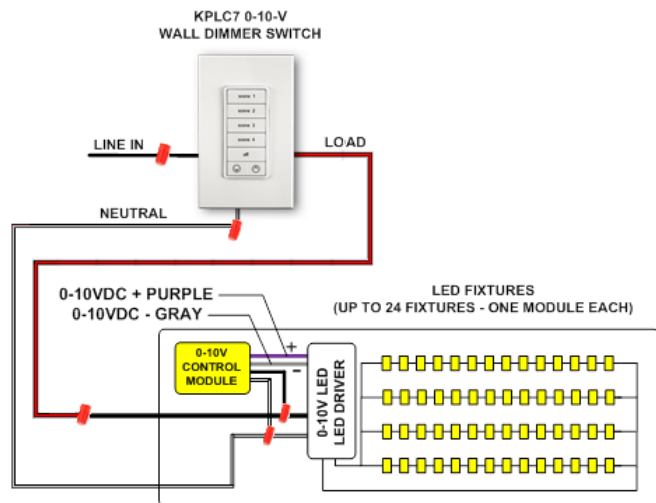
1. READ AND FOLLOW ALL SAFETY INSTRUCTIONS.

2. Keep away from water. If the product comes in contact with water or other liquid, turn off the circuit breaker and unplug the product immediately.
3. Never use products that have been dropped or damaged.
4. Do not use this product outdoors.
5. Do not use this product for other than its intended purpose. Do not cover this product with any material when in use.
6. SAVE THESE INSTRUCTIONS.

INSTALLATION

To install the KPLC7 module in a wallbox follow these instructions:

1. Before installing the KPLC7 into a wall box, ensure that power to the wall box has been disconnected by removing the fuse or turning the circuit breaker off. Installing products while the power is on may expose you to dangerous voltage and may damage the product.
2. Remove any existing wall plate and device from the wall box.
3. Use wire nuts to securely connect the KPLC7's white wire to the "Neutral" wire, the KPLC7's black wire to the "Line" wire and the red wire to the "Load" wire (see illustration below).
4. Fit the KPLC7 into the wall box and secure with mounting screws. Install the wall plate.
5. Install the RM-0-10V receiving module as shown in the wiring diagram.
6. Restore power at the circuit breaker.





Model KPLC7 Keypad Load Controller

Installation Guide and Owner's Manual

CONFIGURATION

Once your KPLC7 is installed it can be configured either manually or with UPStart Configuration Software. Refer to the Keypad Controller's Manual Configuration Guide available on the PCS website for further details on Manual configuration to add your KPL device into a UPB network and link it to various load control devices.

Although the factory default operation of the KPLC7 is very useful in many situations, it is recommended that you program your KPLC7 with a Powerline Interface Module (PIM) and UPStart Configuration Software to take advantage of its many configurable features. User Guides are available on our website, if you need further assistance on how to configure your system.

SETUP Mode

When configuring a UPB system, it will be necessary to place the KPLC7 into SETUP mode. To enter Setup Mode, simultaneously press and hold the right side of the top button (Scene 1) and the left side of the bottom button (Down Arrow) buttons for 3 seconds.

All the LED indicators blink once the device is in SETUP mode. To exit SETUP mode, again simultaneously press and hold the same buttons for 3 seconds or wait five minutes for time out.

Controlling additional PulseWorx devices

The KPLC7, in addition to controlling the LED fixture attached to the RM-0-10V receiving module, it can be configured to work with other PulseWorx® Lighting System devices. To do this you must use the UPB Configuration Software UPStart and enable the keypad pushbuttons to transmit.

OPERATION

Once installed and configured the KPLC7 will operate with the stored configuration settings. Single-tap, double-tap, hold, or release the pushbuttons will control the LED fixture. Unless changed with UPStart, the default actions of the keypad buttons are:

Button 1 Action:	100%
Button 2 Action:	50%
Button 3 Action:	15%
Button 4 Action:	5%
Button 5 Action:	OFF (0%)
UP Button Mode:	Increase light level
DN Button Mode:	Decrease light level

The final split button – right half decrease light level, left half increase light level – work by holding the button down to start the level change and release when the desired level is achieved.

Backlit Pushbuttons

Each of the pushbuttons has a LED behind it to provide back-lighting and to indicate when loads or scenes are activated. By default, the back-lighting is enabled and pressing a pushbutton will cause it to illuminate brighter than the others.

Factory Default Settings

To restore the following default settings put the KPLC7 into SETUP by simultaneously pressing and holding the top right of the top button and the right of the bottom button for about 3 seconds. The while in setup mode press and hold the second (Scene 2) and the 5th button (scene 5) for about 3 seconds. The indicators will light up to indicate that factory defaults have been restored.

Network ID:	255
Unit ID KPLC7:	80
Network Password:	1234
Receive Sensitivity:	High
Transmit Count:	Twice
IR Options:	N/A
LED Options:	Backlight enabled/ High
Button 1 Action:	100%
Button 2 Action:	50%
Button 3 Action:	15%
Button 4 Action:	5%
Button 5 Action:	OFF (0%)
UP Button Mode:	Increase light level
DN Button Mode:	Decrease light level

LIMITED WARRANTY

Seller warrants this product, if used in accordance with all applicable instructions, to be free from original defects in materials and workmanship for a period of five years from the date of purchase. Refer to the warranty information on the PCS website (www.pcslighting.com) for exact details.



19215 Parthenia St. Suite D
Northridge, CA 91324
P: 818.701.9831 pcssales@pcslighting.com
www.pcslighting.com <https://pcswestore.com>