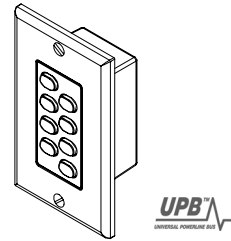




HAI UPB™ 8-Button House Controller Installation and Operating Instructions



For the following Model:

38A00-2 HAI UPB™ 8-Button House Controller

READ THESE INSTRUCTIONS BEFORE INSTALLING DEVICE

This HAI UPB™ 8-Button House Controller is intended for installation in accordance with the National Electrical Code and local regulations. It is recommended that a qualified electrician perform this installation. Retain these instructions for reference.

This product is for indoor use only. Connect only copper or copper clad wire to this device.

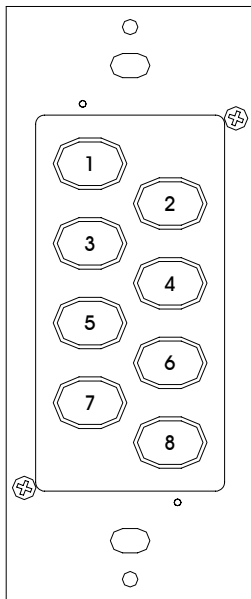
Important Notes Prior To Installation

Be sure that all power to the load has been disconnected by turning off the circuit breaker. Installing an HAI UPB™ 8-Button House Controller with power on may expose you to dangerous voltage and may damage the device.

HAI UPB™ 8-Button House Controller Overview

The HAI UPB™ 8-Button House Controller (Figure 1) is used to turn on or off lighting in up to 8 rooms in a house where HAI UPB™ Wall Switches and HAI UPB™ 6-Button Room Controllers have been installed. It can also be used for various other lighting control applications, such as controlling 8 individual loads or lighting scenes (on/off). It uses the UPB™ two-way powerline communication technology to communicate with an HAI controller, UPB™ Wall Switches, and other UPB™ devices on the network.

The HAI UPB™ 8-Button House Controller has eight pushbuttons labeled 1, 2, 3, 4, 5, 6, 7, and 8 (although these buttons may be custom engraved). Each pushbutton is slightly backlit so that the buttons can be seen in a dark room. Depending on configuration of the HAI UPB™ 8-Button House Controller, one or more of the eight pushbuttons will be distinctly illuminated, indicating that one or more lights are on in the respective room(s). If a pushbutton is not illuminated, that means all lights in the respective room are currently off.



**Figure 1 - HAI UPB™
8-Button House Controller**

Changing Switch Color

The color of the HAI UPB™ 8-Button House Controller may be changed to complement the interior décor. The HAI UPB™ 8-Button House Controller is supplied with a white bezel. Additional colors are available; contact your HAI distributor for more information. When changing the bezel, make sure that the HAI UPB™ 8-Button House Controller is disconnected from all power, and proceed as follows:

1. The bezel attaches to the HAI UPB™ 8-Button House Controller with two small Philips head screws: one on the upper-right corner and one on the lower-left corner (Figure 2).
2. Using a small-bladed Philips screwdriver, unscrew each of the two screws. Remove the bezel from the back housing.
3. Install the new bezel by aligning the mounting holes on the bezel with the installation pins on the back housing. Secure bezel to back housing with the two Phillips screws that were removed in Step 1.

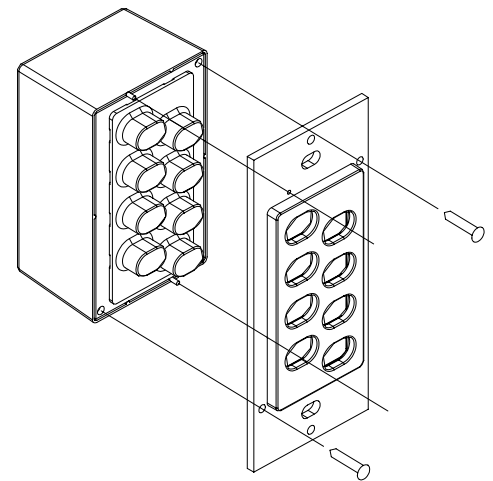


Figure 2 – Changing Switch Color

INSTALLATION INSTRUCTIONS

1. Be sure that all power at the wall box has been disconnected by turning off the circuit breaker.
2. If applicable, remove the faceplate from the existing device, remove the existing device from the wall box, and disconnect the wires from the existing device. Identify the "Line" (black) and "Neutral" (white) wires.
3. Remove ¼" of insulation from each of the wires on the HAI UPB™ 8-Button House Controller. Install the HAI UPB™ 8-Button House Controller by connecting wires per wiring configuration shown in Figure 3.
4. After all connections have been made, be certain that all wire connectors are firmly attached and there is no exposed copper.
5. Gently place the wires and HAI UPB™ 8-Button House Controller into the wall box with the "1" pushbutton at the top of device. Using the supplied screws, attach the HAI UPB™ 8-Button House Controller to the wall box.
6. Before installing the faceplate, restore power to the circuit for testing.
7. After testing the HAI UPB™ 8-Button House Controller for proper local operation, install a Decora-style faceplate over the HAI UPB™ 8-Button House Controller.

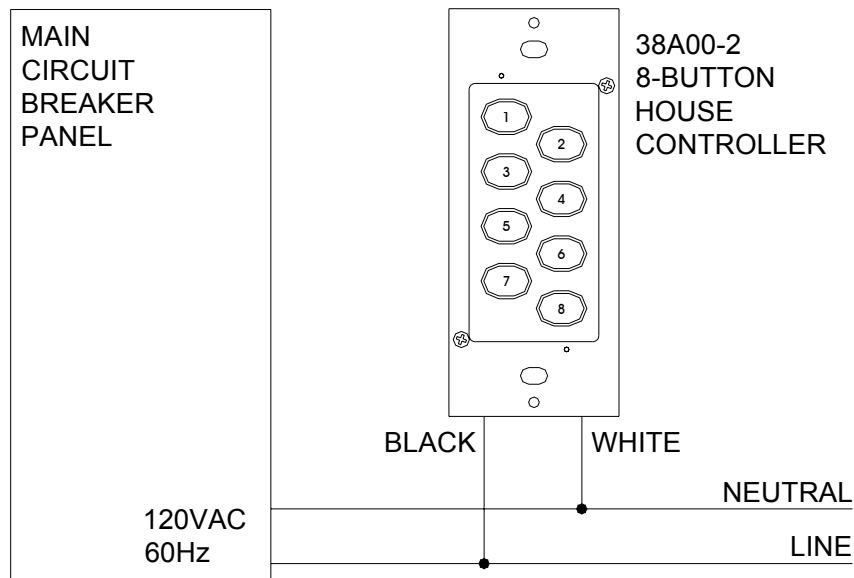


Figure 3 – Wiring Diagram

CONFIGURING THE HAI UPB™ 8-BUTTON HOUSE CONTROLLER

The HAI UPB™ 8-Button House Controller is designed to control up to 8 rooms of lighting using HAI Lighting Control (HLC) but also has several configuration options that can be enabled or modified using the UPB™ UPStart configuration software.

Option	Factory Default	HAI Lighting Control (HLC)
Pushbuttons 1-8	Supper Toggle / Link 013 – Link 020, respectively	Each pushbutton on the HAI UPB™ 8-Button House Controller will toggle the lighting loads in the respective room on and off.
Pushbuttons 1-8 LED Indicators	Each LED Indicator is assigned to its pushbutton's Link ID Each LED Indicator is independent (multiple LED indicators may be on at one time).	When the room is turned on using the pushbutton, the LED indicator under the respective pushbutton is illuminated. When the room is turned off using the pushbutton, the LED indicator under the respective pushbutton is turned off. Anytime a lighting load in a room is turned on, the LED indicator under the respective pushbutton (room) is illuminated. When all loads in a room are turned off, the LED indicator under the respective pushbutton (room) is turned off.
UPB Transmission Attempts	2	No change
UPB ID	NID = 255 UID = 096	HAI controller configures Network ID (NID), Unit ID (UID), Network Password, Network Name, Room Name, Device Name, etc.
LED Brightness	High	No change.
LED Backlighting	Enabled	No change.

HAI UPB™ 8-BUTTON HOUSE CONTROLLER OPERATION

The HAI UPB™ 8-Button House Controller has many configurable items that can be set using the UPB™ UPStart configuration software. The following describes the operation of the HAI UPB™ 8-Button House Controller in its factory default configuration.

Using Pushbuttons to Control Individual Lighting Loads

In its factory default configuration, all 8 pushbuttons are configured to toggle between two different actions each time a pushbutton is pressed. Likewise the LED indicator behind the pushbutton will toggle when the pushbutton is pressed.

Linking Pushbuttons to HAI UPB™ Wall Switch Dimmer(s)

To configure these actions, the pushbuttons on the HAI UPB™ 8-Button House Controller must be linked to HAI UPB™ Wall Switch Dimmer(s) as follows:

Step	Operation
1	Use the local Decora-style rocker switch on the HAI UPB™ Wall Switch Dimmer(s) to set the desired level(s).
2	Tap the Decora-style rocker switch on the HAI UPB™ Wall Switch Dimmer(s) five (5) times quickly.
3	The HAI UPB™ Wall Switch Dimmer will flash its lighting load one time and blink its LED blue, to indicate that it is ready to be linked.
4	Press the pushbutton on the HAI UPB™ 8-Button House Controller five (5) times quickly.
5	Each HAI UPB™ Wall Switch will flash its lighting load one time to indicate that it is successfully linked to the pushbutton and that the new light level has been set.

Unlinking Pushbuttons from HAI UPB™ Wall Switch Dimmer(s)

If you accidentally link the wrong pushbutton to the wrong HAI UPB™ Wall Switch Dimmer, you can unlink them as follows:

Step	Operation
1	Tap the Decora-style rocker switch on the desired HAI UPB™ Wall Switch Dimmer(s) five (5) times quickly.
2	The HAI UPB™ Wall Switch Dimmer will flash its lighting load one time and blink its LED blue, to indicate that it is ready to be unlinked.
3	Press the pushbutton on the HAI UPB™ 8-Button House Controller ten (10) times quickly.
4	Each HAI UPB™ Wall Switch will flash its lighting load one time to indicate that it is successfully unlinked.

Toggling Lighting Loads

After the pushbuttons have been linked, when a pushbutton is pressed while its LED indicator is off, the lighting loads are set to the preset lighting levels and the LED indicator is turned on. When the pushbutton is pressed again (while its LED indicator is on), the lighting loads are turn off and the LED indicator is turned off.

Event	When LED Indicator is Off	When LED Indicator is On
Single-Tap	The HAI UPB™ Wall Switch Dimmer(s) that are linked to this pushbutton will go to their preset lighting levels. The LED indicator under the pushbutton is turned on.	The HAI UPB™ Wall Switch Dimmer(s) that are linked to this pushbutton will fade to 0% (off). The LED indicator under the pushbutton is turned off.
Double-Tap	The HAI UPB™ Wall Switch Dimmer(s) that are linked to this pushbutton will snap to 100% (on). The LED indicator under the pushbutton is turned on.	The HAI UPB™ Wall Switch Dimmer(s) that are linked to this pushbutton will snap to 0% (off). The LED indicator under the pushbutton is turned off.

Brightening and Dimming Lighting Loads

When a pushbutton is pressed and held while its LED indicator is off, the lights are brightened, until the pushbutton is released. When the pushbutton is pressed, the lights are dimmed, until the pushbutton is released.

Event	When LED Indicator is Off	When LED Indicator is On
Hold	The HAI UPB™ Wall Switch Dimmer(s) that are linked to this pushbutton will brighten. The LED indicator under the pushbutton is turned on.	The HAI UPB™ Wall Switch Dimmer(s) that are linked to this pushbutton will dim. The LED indicator under the pushbutton is turned off.
Release	The HAI UPB™ Wall Switch Dimmer(s) that are linked to this pushbutton will stop brightening.	The HAI UPB™ Wall Switch Dimmer(s) that are linked to this pushbutton will stop dimming.

SETUP MODE

To configure the HAI UPB™ 8-Button House Controller using an HAI controller or a PC running the UPB™ UPStart configuration software, it must be put into Setup Mode as follows:

Step	Operation
1	Press and hold the “1” and “8” pushbuttons simultaneously for at least 3 seconds.
2	All of the LED indicators will blink to indicate that the HAI UPB™ 8-Button House Controller is in Setup Mode.

Reset to Factory Default Settings

To reset the HAI UPB™ 8-Button House Controller to factory default settings:

Step	Operation
1	Press and hold the “1” and “8” pushbuttons simultaneously for at least 3 seconds.
2	All of the LED indicators will blink to indicate that the HAI UPB™ 8-Button House Controller is in Setup Mode.
3	Press and hold the “2” and “7” pushbuttons simultaneously for at least 3 seconds.
4	The LED indicators will stop blinking and the “1” and “8” pushbuttons will illuminate to indicate that it has been reset.

SPECIFICATIONS

Model Number	38A00-2
Number of Backlit Pushbuttons	8
Connections	18 GA
LED Indicators	Yes
Dimensions	4.1 x 1.7 x 1.5
Weight	0.25 lb.
Mounting	Standard J Box
Input Power	120 ± 12 VAC
Input Frequency	60 ± 3 Hz
Operating Temperature	-40 °F to 104 °F

Note: It is normal for this switch to make a slight buzzing sound during operation.

LIMITED WARRANTY

HAI warrants this product against defects in material and workmanship, under normal use and service, for a period of two (2) years from the date of purchase. During the warranty period, HAI will repair or replace, at its sole option, if this product fails due to defect. This warranty does not cover the cost of removal or reinstallation of any product. **This warranty does not cover failure caused by normal wear, damage to the product while in your possession (other than damage caused by defect or malfunction), or by its improper installation, including failure to follow the written installation and operation instructions, alterations, misuse, or abuse.** The remedies provided for in this warranty are the sole and exclusive remedies thereof. In no event shall HAI be liable for incidental expenses or consequential loss or damages. For the complete HAI Warranty for USA policy, see the HAI web site at www.homeauto.com.

Any implied warranties, including warranties of merchantability and fitness for particular use or purpose are limited to a period of two (2) years from purchase date. This warranty gives you specific legal rights, and you may have other legal rights, which vary from state to state. Some limitations may not apply to you.

For warranty and repair service within the continental United States, send defective unit carefully packaged, postage prepaid, along with description of trouble, name, return address, and phone number to: HAI, Repair Department, 4330 Michoud Blvd, New Orleans, LA, 70129. HAI will pay return shipping charges via normal ground service.

Outside of the continental United States: Contact an Authorized Distributor for repair/replacement instructions.