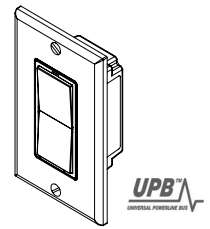




# HAI UPB™ 15A Relay Switch and Auxiliary Switch Installation and Operating Instructions



## For the following Models:

40A00-1 HAI 15A Relay Switch (referred to as HAI UPB™ Wall Switch, in this document), and  
37A00-1 HAI Auxiliary Switch

## READ THESE INSTRUCTIONS BEFORE INSTALLING DEVICE

This HAI UPB™ Wall Switch and Auxiliary Switch is intended for installation in accordance with the National Electrical Code and local codes and regulations. It is recommended that a qualified electrician perform this installation. Retain these instructions for reference.

This product is for indoor use only. Connect only copper or copper clad wire to this device.

## Important Notes Prior To Installation

1. All HAI UPB™ Wall Switches require a neutral (white) connection wire.
2. Be sure that all power to the load has been disconnected by turning off the circuit breaker. Installing an HAI UPB™ Wall Switch or Auxiliary Switch with power on may expose you to dangerous voltage and may damage the device.

## HAI UPB™ Wall Switch Overview

The HAI UPB™ Wall Switch (Figure 1) allows for local control of loads by using the Decora-style rocker switch. It also incorporates the UPB™ two-way powerline communication technology that gives it the ability to be remotely controlled by UPB™ compatible controllers. The HAI UPB™ Wall Switch is also capable of transmitting UPB™ messages when the rocker switch is turned on or turned off.

The HAI 15A Relay Switch is used to control loads such as receptacles, motor-operated appliances (i.e. fans), and fluorescent lighting fixtures.

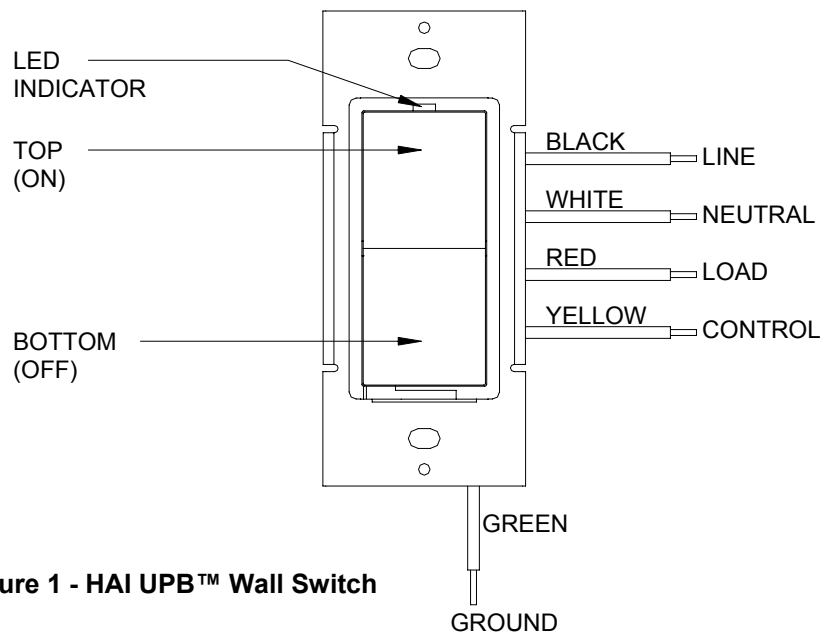


Figure 1 - HAI UPB™ Wall Switch

## HAI Auxiliary Switch Overview

The 37A00-1 HAI Auxiliary Switch (Figure 2) is an optional companion device used with the HAI UPB™ Wall Switch for multi-way circuits. The HAI Auxiliary Switch has a Decora-style rocker switch that controls the load in the exact same manner as the Decora-style rocker switch on the HAI UPB™ Wall Switch.

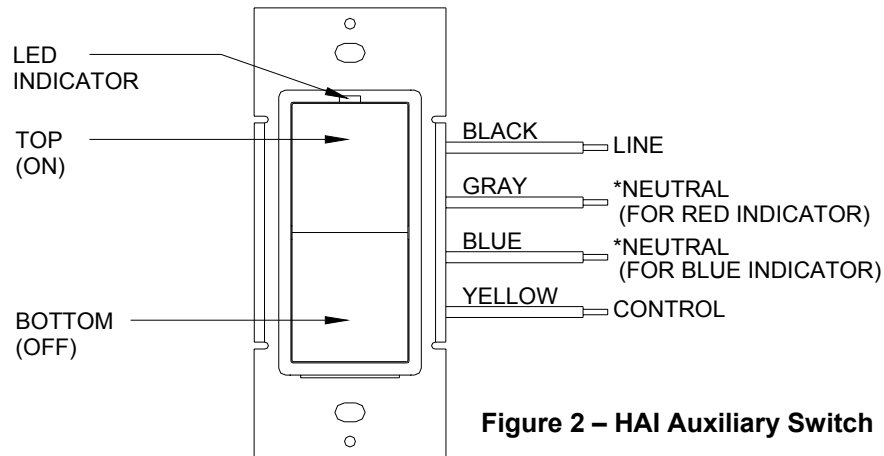


Figure 2 – HAI Auxiliary Switch

## Changing Switch Color

The color of the HAI UPB™ Wall Switch and Auxiliary Switch may be changed to complement the interior décor. The HAI UPB™ Wall Switch and Auxiliary Switch is supplied with a white switch plate. Additional colors are available; contact your HAI distributor for more information. When changing the switch plate, make sure that the switch is disconnected from all power, and proceed as follows:

1. The switch plate attaches to the HAI UPB™ Wall Switch and Auxiliary Switch with two latches on the right and two on the left. Using a small-bladed screwdriver, gently depress the upper and lower latch on one side while lifting up on the plate. Once the latches are released on one side, remove the switch plate from the other side.
2. Align the latches of the new switch plate to the openings on the mounting plate and gently snap into place.

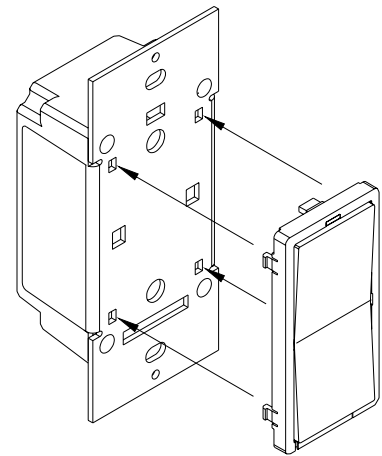


Figure 3 – Changing Switch Color

## INSTALLATION INSTRUCTIONS

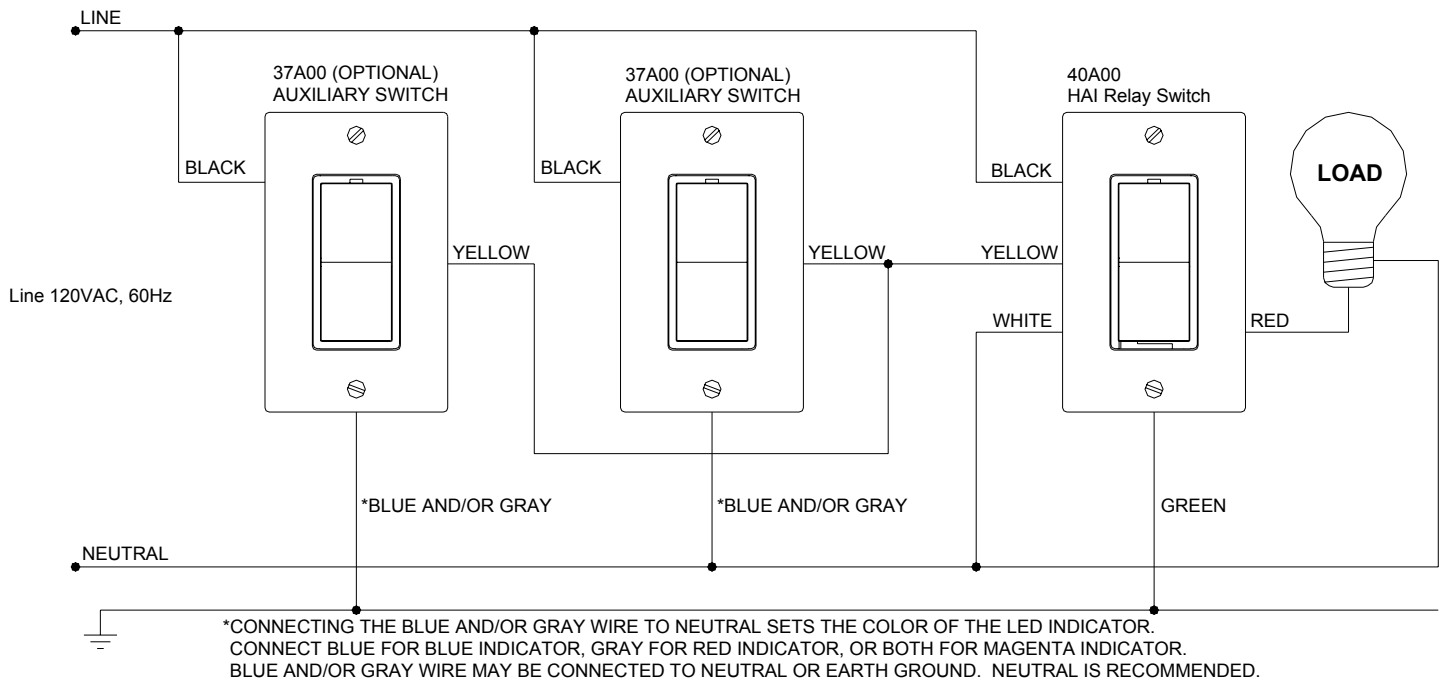
The HAI UPB™ Wall Switch is wired directly to the load and can be controlled by adding one or more optional HAI Auxiliary Switches producing multi-way circuits. Multi-way circuits make it possible for a group of switches to control the same load. This section will illustrate how to make the connections.

Notes:

1. Refer to Figures 1 and Figure 2 to determine the wire colors for each connection.
2. All HAI UPB™ Wall Switches require a neutral (white) connection.
3. The Line (black) wire must be accessible for the installation of all HAI Auxiliary Switches. This wire may be connected to either phase of the 120/240V supply. The blue and/or gray wire on the HAI Auxiliary Switch can be connected to either earth ground or neutral. The blue and/or gray wire is only used to light the LED on the switch. This LED only indicates that power is applied and serves as a night-light. Connect the blue wire only to light the LED blue. Connect the gray wire only to light the LED red. Connect both the blue wire and the gray wire to light the LED magenta.

## Installation Procedure

1. Be sure that all power to the load has been disconnected by turning off the circuit breaker.
2. If applicable, remove the faceplate from the existing wall switch, remove the existing wall switch from the wall box, and disconnect the wires from the existing wall switch. Identify the "Line", "Neutral", "Load" and "Traveler" (if applicable) wires.
3. Remove  $\frac{3}{4}$ " of insulation from each of the wires on the HAI UPB™ Wall Switch. Install the HAI UPB™ Wall Switch by connecting wires per wiring configuration shown in Figure 5.
4. Install any optional HAI Auxiliary Switch per wiring configuration shown in Figure 5.
5. After all connections have been made, be certain that all wire connectors are firmly attached and there is no exposed copper.
6. Gently place the wires and HAI UPB™ Wall Switch into the wall box with the LED at the top of device. Using the supplied screws, attach the HAI UPB™ Wall Switch to the wall box.
7. Before installing the faceplate, restore power to the circuit.
8. After testing the HAI UPB™ Wall Switch and Auxiliary Switch for proper local operation (Table 1), install a Decora-style faceplate over each switch.



**Figure 4 – Wiring Diagram**

## HAI 15A RELAY SWITCH OPERATION

The HAI 15A Relay Switch has configurable items that can be set using the UPB™ UPStart configuration software. The following describes the operation of the HAI 15A Relay Switch in its factory default configuration.

### Local Rocker Switch Operation

The HAI 15A Relay Switch has a Decora-style rocker switch that can be used to control the load as follows.

Rocker Event	Top Rocker	Bottom Rocker
Single-Tap	Load turns on.	Load turns off.

**Table 1 - HAI UPB™ 15A Relay Switch Local Operation**

### LED Indicator

The HAI UPB™ Wall Switch comes equipped with a multi-color LED indicator that is normally lit to blue when the load is off. The LED is off when the load is on.

If used, the LED in the HAI Auxiliary Switch is always lit.

## HAI AUXILIARY SWITCH OPERATION

The HAI UPB™ Wall Switch can be connected to one or more HAI Auxiliary Switches producing multi-way circuits. Each HAI Auxiliary Switch has a Decora-style rocker switch that controls the load in the exact same manner as the Decora-style rocker switch on the connected HAI UPB™ Wall Switch, as previously described. When connected, the LED remains continually on at all times while power is applied.

### Setup Mode

To configure the HAI UPB™ Wall Switch using an HAI controller or a PC running the UPB™ UPStart configuration software, it must be put into Setup Mode as follows:

Step	Operation
1	Tap the rocker switch quickly 5 times.
2	The HAI UPB™ Wall Switch will cycle the load one time and blink its LED blue to indicate that it is in Setup Mode. Note: the switch will automatically exit Setup mode after 5 minutes.

### Reset to Factory Default Settings

To reset the HAI UPB™ Wall Switch to factory default settings:

Step	Operation
1	On the HAI UPB™ Wall Switch that you want to reset to factory default, tap the rocker switch quickly 5 times.
2	The HAI UPB™ Wall Switch will cycle the load one time and blink its LED blue to indicate that it is ready to be reset.
3	Tap the rocker switch quickly 10 times to reset to factory default setting.
4	The HAI UPB™ Wall Switch will cycle the load one time and blink its LED red to indicate that it has been reset.
5	Tap the rocker switch once more to stop the LED from blinking.

## SPECIFICATIONS

<b>Model Number</b>	<b>40A00-1</b>
Incandescent Loads, Inductive Loads, and Florescent Loads	Yes
Motor-Operated Appliances	Yes
Current Maximum	15A
Connections	18 GA
LED Indicator	Yes
Dimensions	4.1 x 1.75 x 1.45
Weight	0.25 lb.
Mounting	Standard J Box
Input Power	120 ± 12 VAC
Input Frequency	60 ± 3 Hz
Operating Temperature	-40 °F to 104 °F

**Note:** It is normal for this switch to make a slight buzzing sound during operation. It is also normal for the switch and wall plate to feel warm to the touch.

## LIMITED WARRANTY

HAI warrants this product against defects in material and workmanship, under normal use and service, for a period of two (2) years from the date of purchase. During the warranty period, HAI will repair or replace, at its sole option, if this product fails due to defect. This warranty does not cover the cost of removal or reinstallation of any product. **This warranty does not cover failure caused by normal wear, damage to the product while in your possession (other than damage caused by defect or malfunction), or by its improper installation, including failure to follow the written installation and operation instructions, alterations, misuse, or abuse.** The remedies provided for in this warranty are the sole and exclusive remedies thereof. In no event shall HAI be liable for incidental expenses or consequential loss or damages. For the complete HAI Warranty for USA policy, see the HAI web site at [www.homeauto.com](http://www.homeauto.com).

**Any implied warranties, including warranties of merchantability and fitness for particular use or purpose are limited to a period of two (2) years from purchase date.** This warranty gives you specific legal rights, and you may have other legal rights, which vary from state to state. Some limitations may not apply to you.

For warranty and repair service within the continental United States, send defective unit carefully packaged, postage prepaid, along with description of trouble, name, return address, and phone number to: HAI, Repair Department, 4330 Michoud Blvd, New Orleans, LA, 70129. HAI will pay return shipping charges via normal ground service.

Outside of the continental United States: Contact an Authorized Distributor for repair/replacement instructions.

