

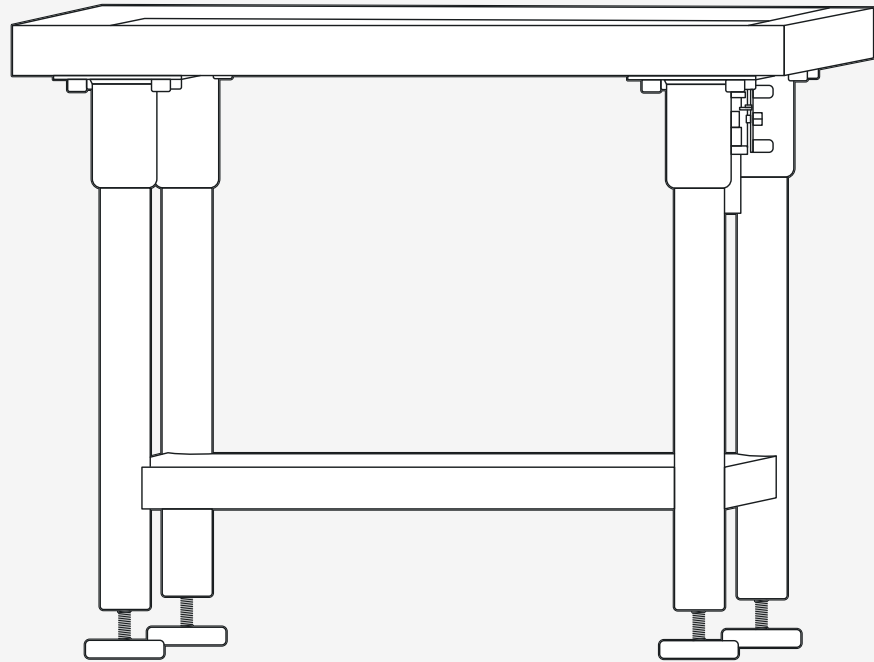


Spike Solo Table

Assembly Guide

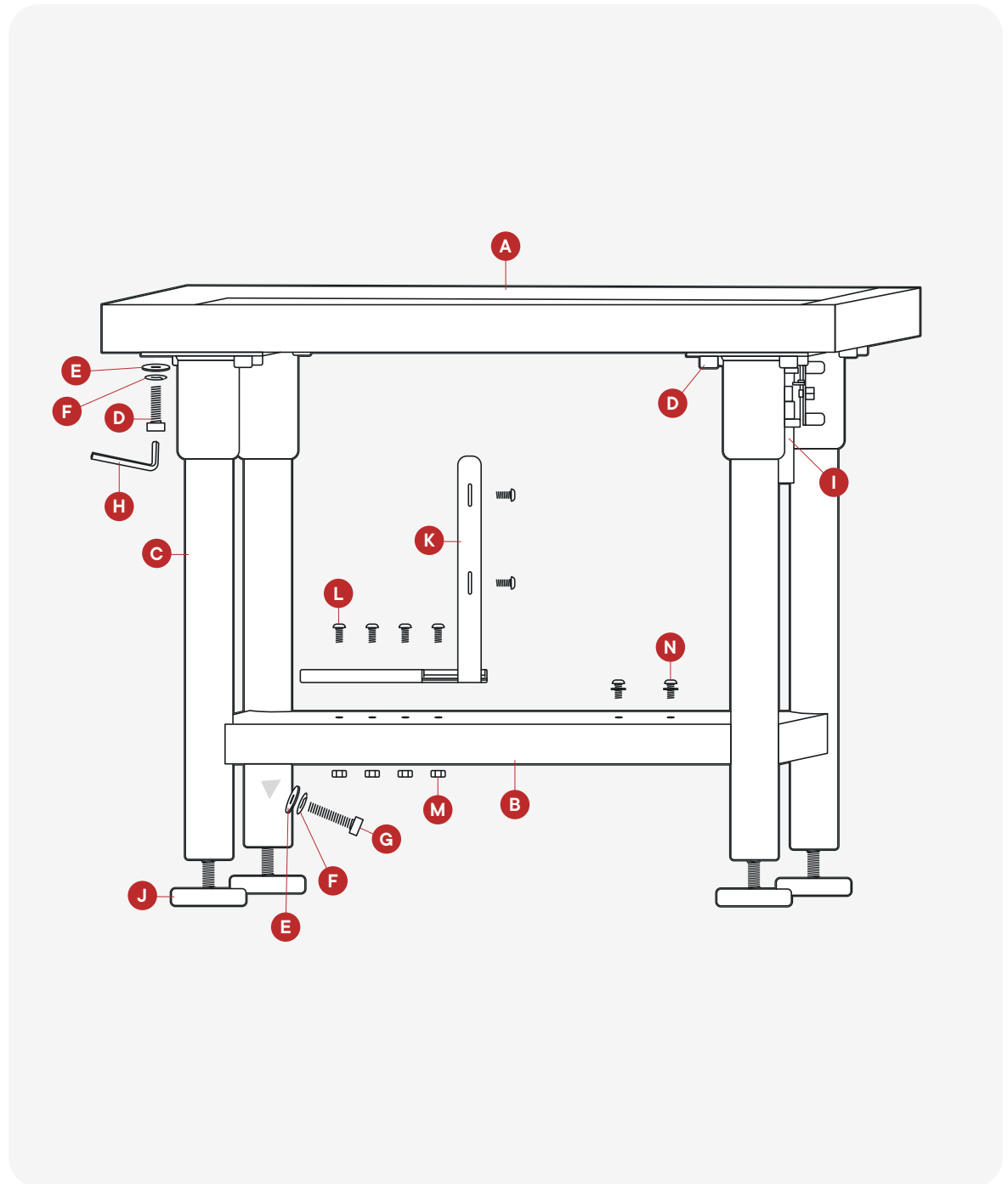


Assembly – Table



Assembly – Table

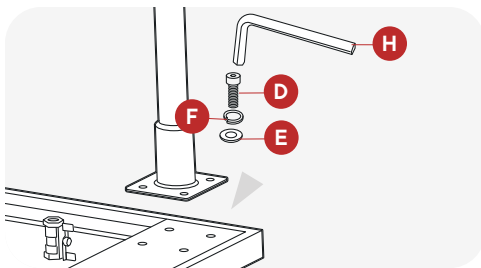
ITEM	DESCRIPTION	QTY
A	Tabletop	1
B	Shelf	1
C	Legs	4
D	Short Bolt	16
E	Washer	20
F	Split Lock Washer	20
G	Long Bolt	4
H	Allen Wrench	1
I	Drain Valve	1
J	Feet	4
K	Wort Chiller Mount (Only included with Wort Chiller purchase)	1
L	Wort Chiller Bolt (Only included with chiller)	6
M	Wort Chiller Nut (Only included with chiller)	4
N	Pump Bolts	4



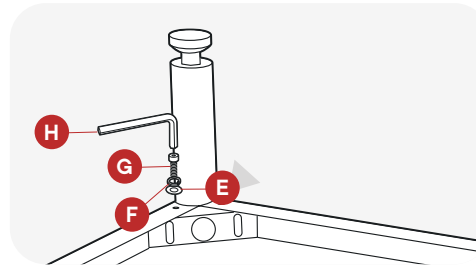
Assembly – Table

Assembling the table

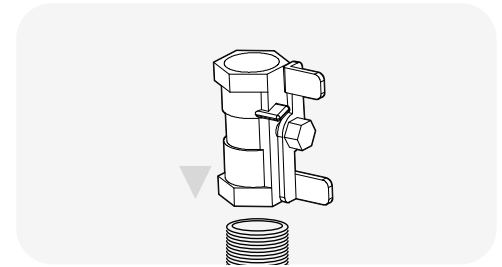
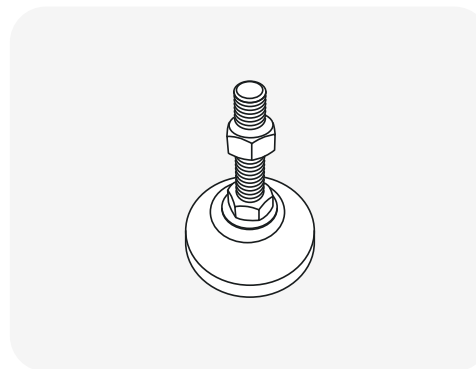
1. Place the Tabletop upside down.
2. Line up each leg with the 4 corners of the table.
3. Use the Allen Wrench to screw 4 short bolts to attach legs. Be sure to use a Washer and Split Lock Washer with each bolt.



4. Insert the Shelf through the legs until they align with the holes in the legs (if the Bolts are pre-installed on the legs, remove them prior to inserting the Shelf)
5. At each leg, use one Long Bolt, Washer, and Split Lock Washer to secure the Shelf.



6. Install the Leveling Feet by first tightening the nut directly on top of the foot to secure it.
7. Thread the foot into the leg then tight the other nut on to the leg. Repeat this for the other legs
8. If needed, adjust how far the foot is threaded into the leg to make the table level



9. Screw the Drain Valve into the Drain in the table.
10. Turn your table over.
11. If mounting a pump, place the pump over the set of 4 threads in the table. Use 4 Pump Bolts, Washers, and Split Lock Washers to attach each mount to the table
12. If attaching the wort chiller, use 4 nuts and bolts to attach the Wort Chiller Mount to the Shelf. Then use two bolts to secure the bracket to the bolts in the Wort Chiller

