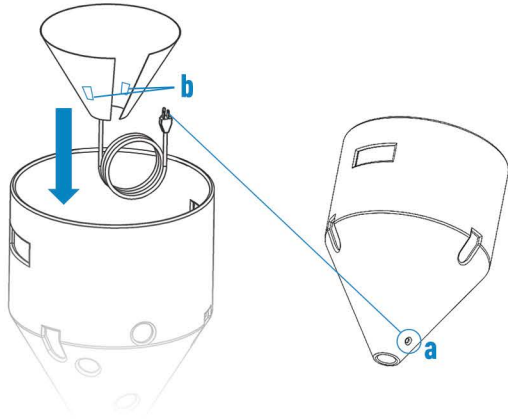
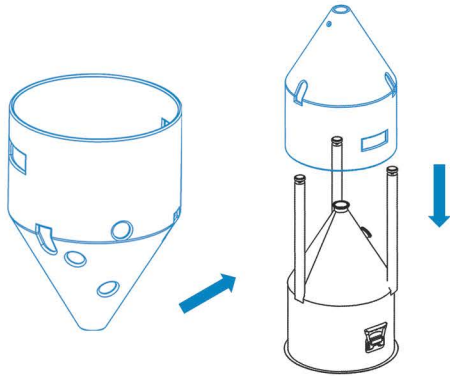


TC-100 ASSEMBLY

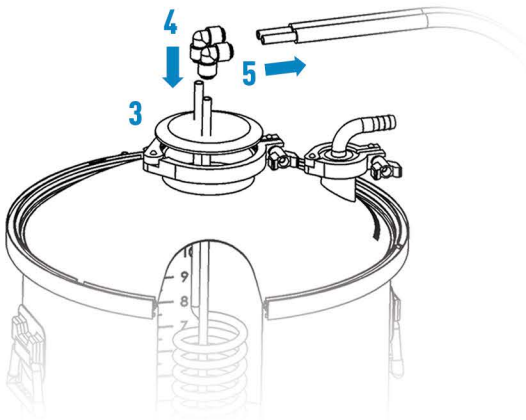


1 If you purchased the **optional** heating unit, attach it to the inside of the neoprene jacket.

- a. Feed the power cord through the small hole in the back of the jacket
- b. Align the 3 black velcro strips on the heater with the 3 gray velcro strips on the inside of the neoprene jacket and press to attach
- c. Pull the power cord through the hole so there is no slack inside the jacket



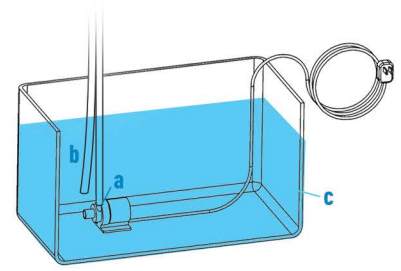
2 With the conical upside down and none of the accessories attached to the conical, slide the insulated jacket over the legs, welded ports and handles through all of the correlating holes.



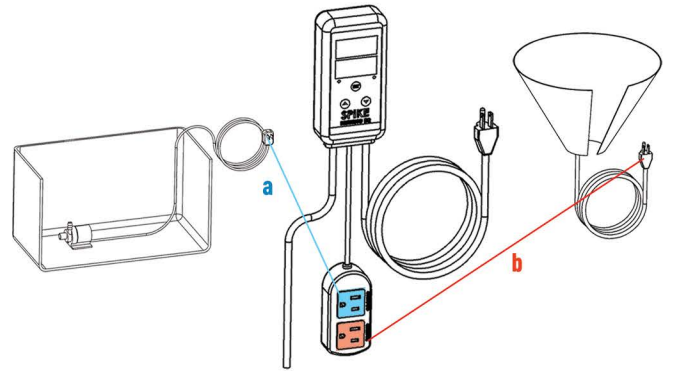
3 Flip the conical right side up, attach your lid to the conical, and affix your temp coil to the 4" TC port

4 Attach your 90° quick connect elbows to the temp coil inlet and outlet

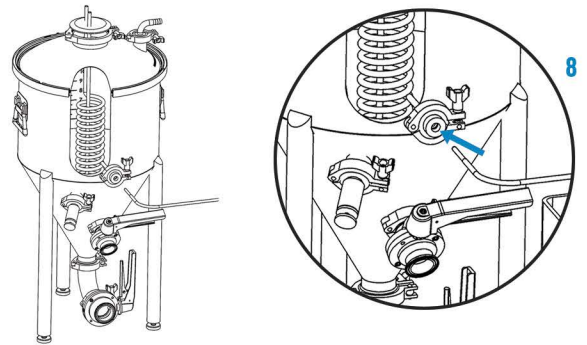
5 Attach both tubes from one end of your insulated tubing to the other ends of the 90° quick connect elbows. Make sure to push these in until they pop into place.



6 a. Next, attach one of the tubes from the opposite end of your insulated tubing to your pump
b. Leave the other end free to act as the return into your coil.
c. Submerge the pump into your cold water source



7 a. Plug in your pump to the 'cooling' plug
b. Plug in your heater to the 'heating' plug



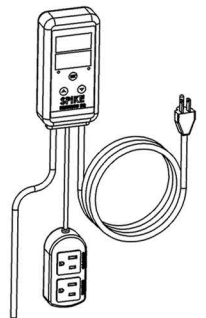
8 Push the temp probe from the controller all the way into the thermowell port
Pro Tip: Wrap the excess cord around the thermowell port.

Controller Setup

1 The 'TEMP' readout on your controller is the temperature inside the fermenter.

2 The 'SET' readout is what temp you would like the fermenter to be maintained at

3 To change the 'SET' temp, simply push the up or down arrow



Pro tip: Hang your temp controller from the handle on conical lid clamp