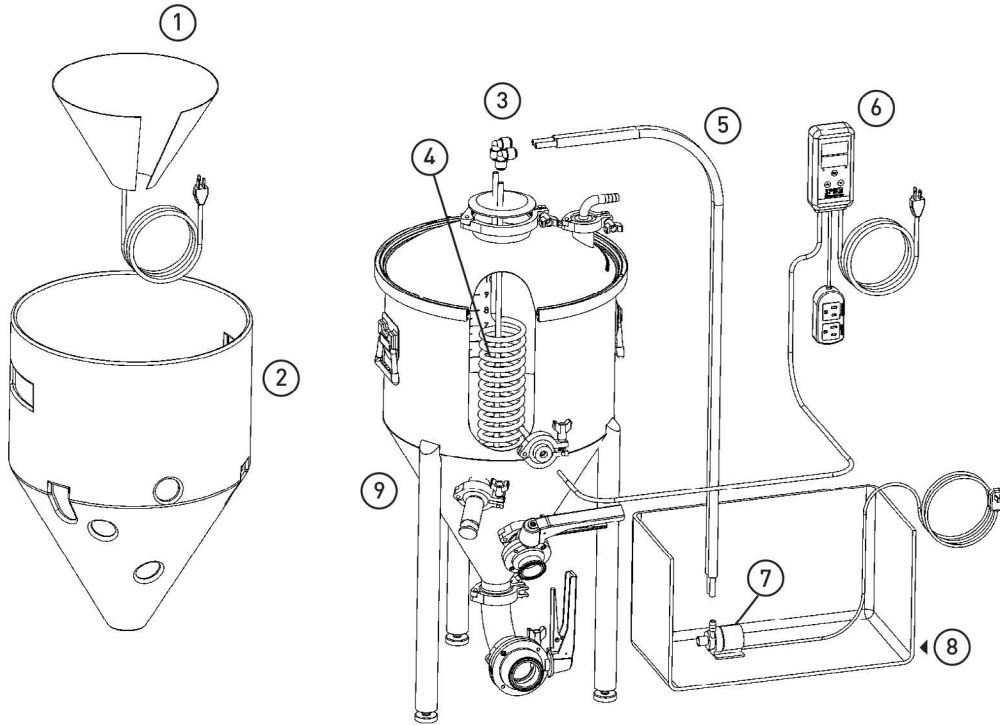




PRODUCT GUIDE

TC-100

PARTS LIST



- | | | | |
|---|--------------------|---|-------------------------------------|
| ① | Heater (Optional) | ⑤ | Insulated Tubing |
| ② | Insulated Jacket | ⑥ | Temp Controller |
| ③ | 90° Quick Connects | ⑦ | Pump |
| ④ | Temp Coil | ⑧ | Cold Water Source (Not Included) |
| | | ⑨ | Conical Fermenter (Sold Separately) |

HOW TO CLEAN

1. Neoprene Jacket
 - a. The jacket is machine washable and can be put into your dryer
2. Temp Coil
 - a. You can either use the CIP ball and clean in place or remove the coil and soak in brewery wash