

Mash Tun

User Guide



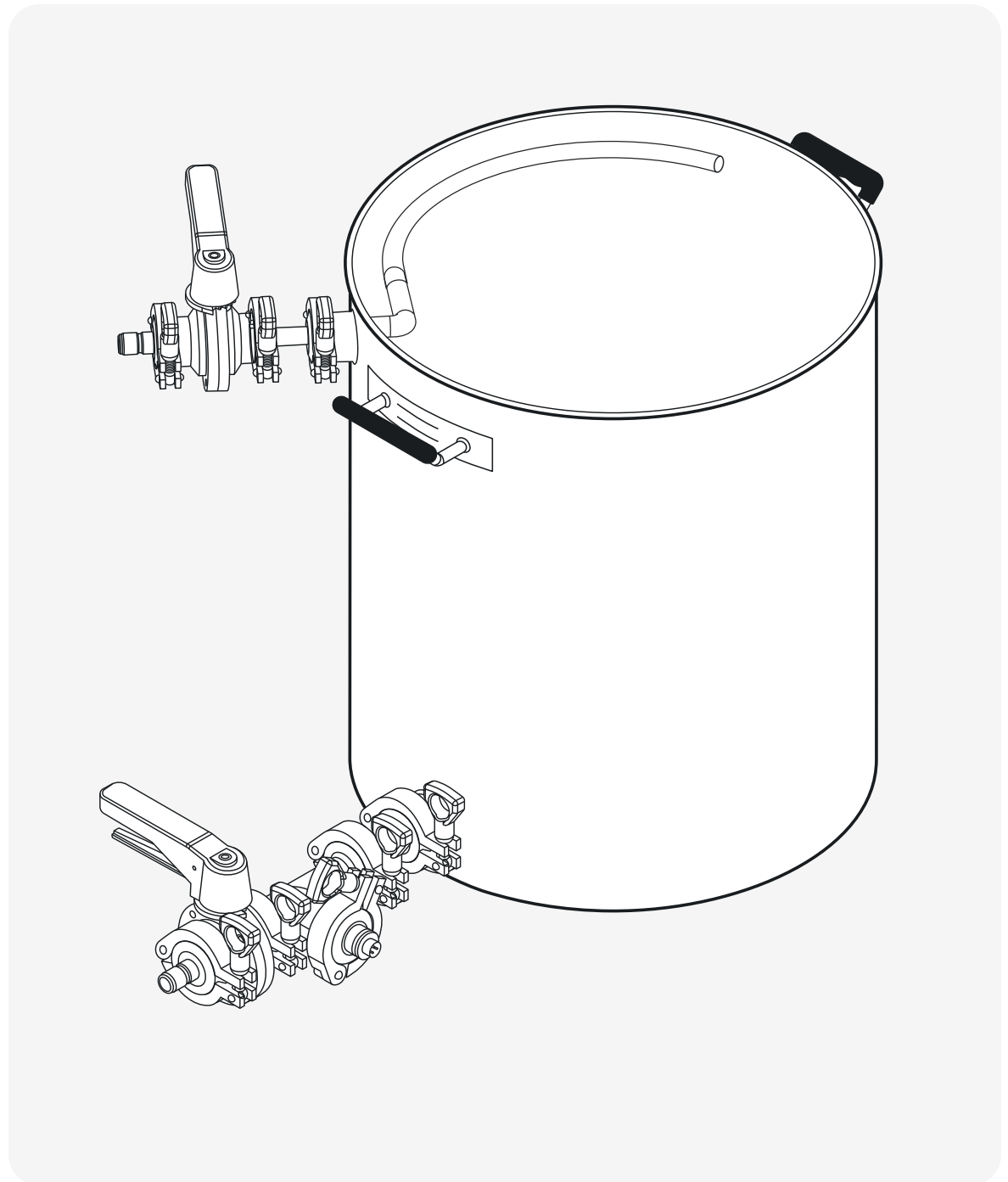
Before you begin

Make sure the elements are plugged in, and the power cords are fully twisted into position. We also recommend strain relieving the power cords so the full weight is not pulling down on the element connection. Taking these actions will certainly extend the life of your power cords.

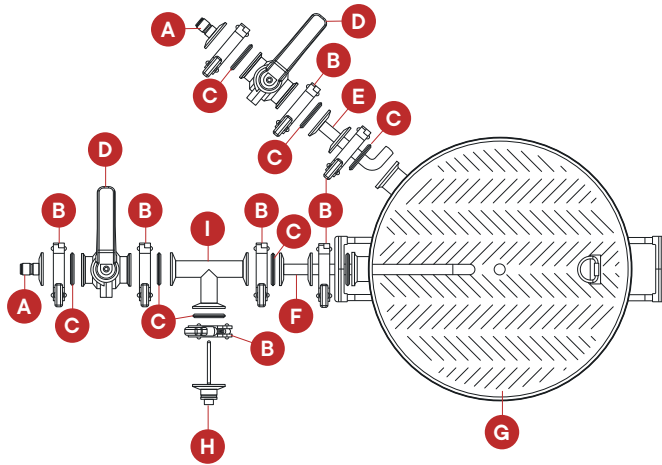
Before installing parts into quick-connect (QC) fittings, be sure to lubricate them with water. This will allow them to slide into the QC fitting easily and prevent tearing the o-ring.

Assembly – Mash Tun

Use 2 feet of your silicone tubing to create a sparge arm from the top recirc port. The tubing will float on top of the grain bed allowing for an even recirculation.



Assembly – Mash Tun



ITEM	DESCRIPTION	QTY
A	1.5" TC X QC	2
B	1.5" TC Clamp	8
C	1.5" TC Gasket	8
D	1.5" TC Butterfly Valve	2
E	Spike+ Pickup Tube - Side	1
F	Spike+ Pickup Tube - Center	1
G	False Bottom	1
H	1.5" TC Temp Sensor	1
I	1" TC Tee	1

