

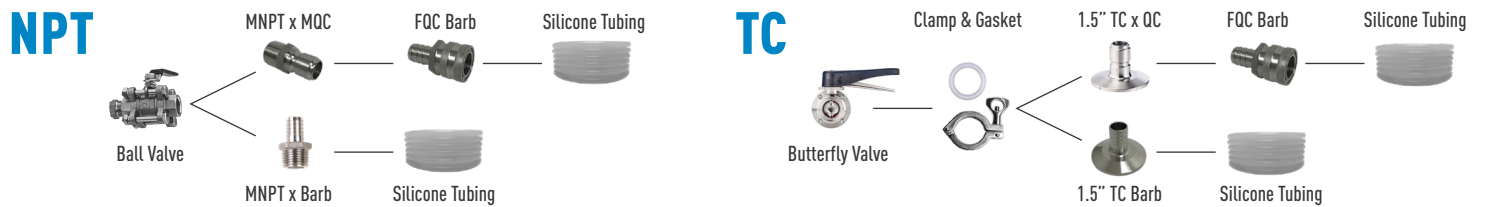


CUSTOM KETTLE BUYER'S GUIDE

ELECTRIC BOIL KETTLE

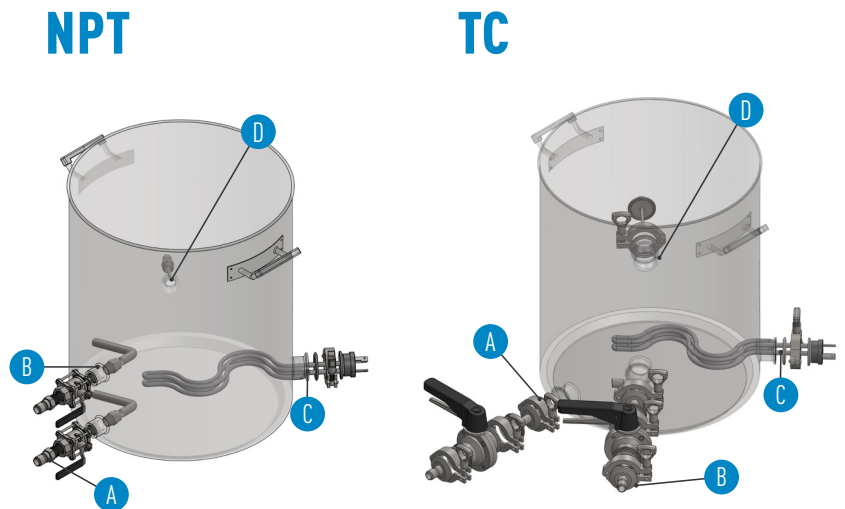
The boil kettle is where you transfer the wort after the mash. After the boil is complete, we recommend doing a whirlpool which creates a hop cone in the center of the kettle, leaving clear wort to drain.

FITTING OVERVIEW



PORTS NEEDED

- A. Drain Port**
 - We recommend a “side” pickup tube to drain wort off kettle’s stepped bottom.
- B. Whirlpool Port**
 - Whirlpool is created by taking wort from the drain and pumping back through a side pickup tube in the whirlpool port.
 - We recommend a side pickup tube for whirlpool as well.
- C. Heating Element**
 - Used to heat wort to a boil.
- D. Temperature Port**
 - Used to house temp probe, which connects to your electrical panel.



**All ports need a valve and fitting of your choice plus silicone tubing. For a fitting overview, please see above.*

BOIL KETTLE NPT CHECKLIST

- 2x Ball valves
- 2x Side pickup tube (includes push-to-connect fitting)
- Temp probe
- Heating element (includes clamp and gasket)
- Silicone tubing (not pictured)
- Pipe tape
- 2x Fittings
 - 2x MNPT x MQC and 2x FQC Barb
 - OR**
 - 2x MNPT x Barb

BOIL KETTLE TC CHECKLIST

- 2x Butterfly valves
- 2x Spike+ Side pickup tube
- 7x 1.5” TC clamps
- 7x 1.5” TC gasket
- Heating element (includes clamp and gasket)
- Silicone tubing (not pictured)
- 2x fittings
 - 2x 1.5” TC x MQC and 2x FQC Barb
 - OR**
 - 2x 1.5” TC Barb