

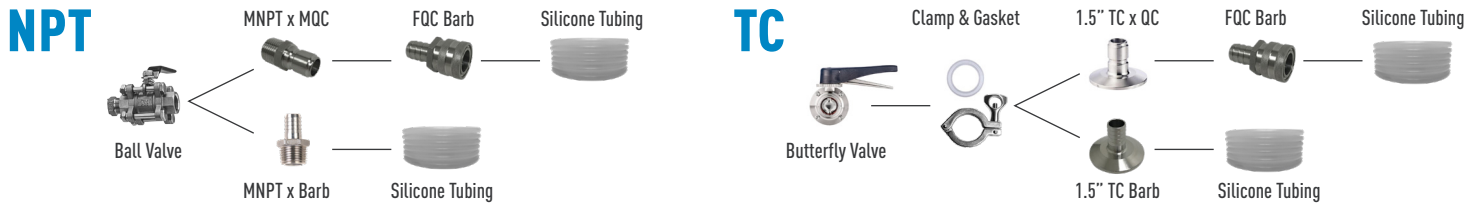


CUSTOM KETTLE BUYER'S GUIDE

DIRECT FIRE BOIL KETTLE

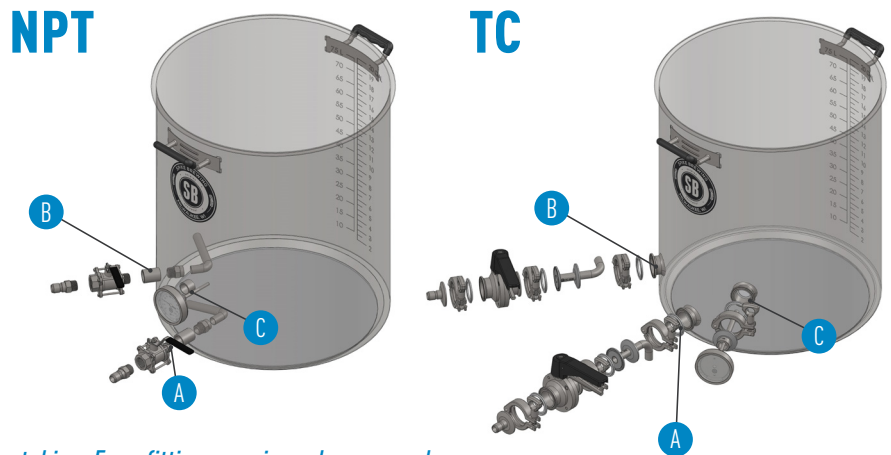
The boil kettle is what you would transfer wort into after the mash. After the boil is complete, we recommend doing a whirlpool which creates a hop cone in the center of the kettle, leaving clear wort to drain.

FITTING OVERVIEW



PORTS NEEDED

- A. Drain Port**
 - We recommend a “side” pickup tube to drain wort off kettles stepped bottom.
- B. Whirlpool Port**
 - Whirlpool is created by taking wort from drain and pumping back through pickup tube in whirlpool port, cycling the wort in funnel within kettle.
 - Same as eboil connect.
- C. Temperature Port**
 - Used to house thermometer.



**All ports need a valve and fitting of your choice plus silicone tubing. For a fitting overview, please see above.*

DIRECT FIRE BOIL KETTLE NPT CHECKLIST

- 2x Ball valves
- 2x Side pickup tube (includes push-to-connect fitting)
- Silicone tubing
- Pipe tape
- 2x fittings
 - 2x MNPT x MQC and 2x FQC Barb
- OR**
- 2x MNPT x barb

DIRECT FIRE BOIL KETTLE TC CHECKLIST

- 2x Butterfly valves
- 2x Spike+ side pickup tube
- 6x 1.5" TC clamps
- 6x 1.5" TC gaskets
- Silicone tubing (not pictured)
- 2x fittings
 - 2x 1.5" TC x MQC and 2x FQC Barb
- OR**
- 2x 1.5" TC Barb