

Boil Kettle

User Guide

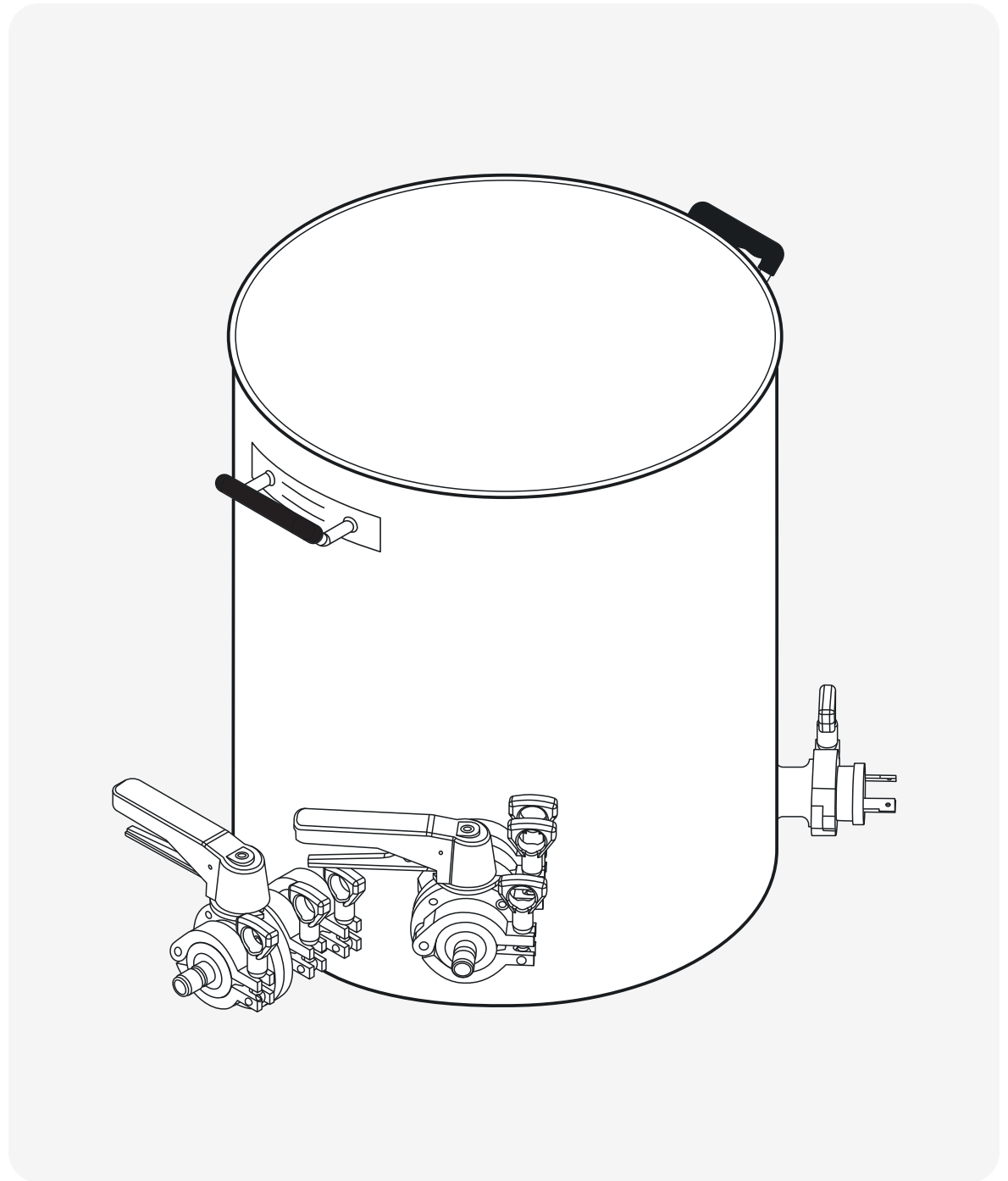


Before you begin

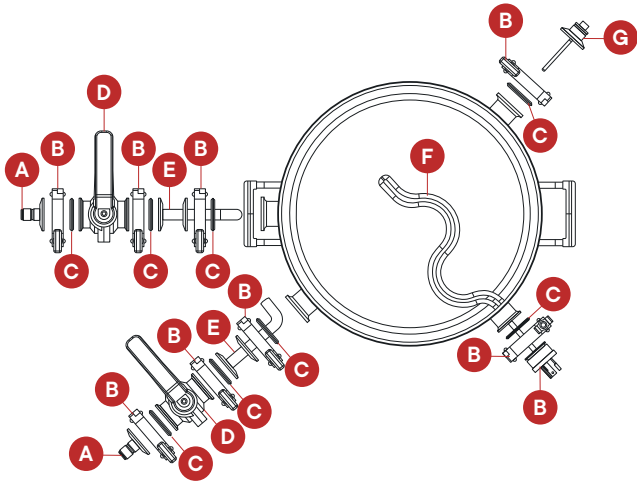
Make sure the elements are plugged in, and the power cords are fully twisted into position. We also recommend strain relieving the power cords so the full weight is not pulling down on the element connection. Taking these actions will certainly extend the life of your power cords.

Before installing parts into quick-connect (QC) fittings, be sure to lubricate them with water. This will allow them to slide into the QC fitting easily and prevent tearing the o-ring.

Assembly – Boil Kettle



Assembly – Boil Kettle



ITEM	DESCRIPTION	QTY
A	1.5" TC X QC	2
B	1.5" TC Clamp	8
C	1.5" TC Gasket	8
D	1.5" TC Butterfly Valve	2
E	Spike+ Pickup Tube - Side	2
F	1.5" TC Element	1
G	1.5" TC Temp Sensor	1

