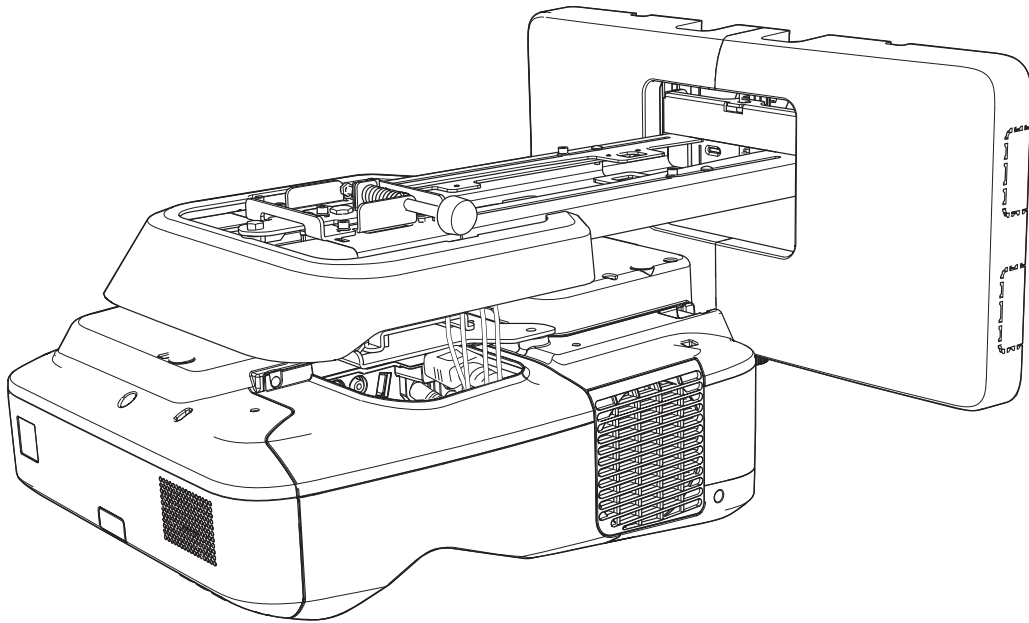


Installation Guide

Guide d'installation



About This Installation Guide

This guide describes how to mount the ultra-short-throw projectors listed below to a wall using the Epson® ELPMB46 wall mount.

The following projectors are covered by this guide:

- BrightLink® 475Wi/480i/485Wi/575Wi/575Wi+/585Wi/585Wi+/595Wi/595Wi+/675Wi+/685Wi/685Wi+/695Wi/695Wi+/696Ui/697Ui
- BrightLink Pro 1410Wi/1420Wi/1430Wi/1450Ui/1460Ui
- PowerLite® 470/475W/480/485W/570/575W/580/585W/675W/680/685W






Safety Instructions

For your safety, read all the instructions in this guide before using the wall mount. Incorrect handling that ignores instructions in this guide could damage the wall mount or could result in personal injury or property damage. Keep this installation guide on hand for future reference.





Read the safety instructions in the *User's Guide* for your projector and follow the instructions in this document.













Explanation of Symbols





The warning marks shown below are used throughout this installation guide to prevent personal injury or property damage. Make sure you understand these warnings when reading this installation guide.

 Warning	This symbol indicates information that, if ignored, could possibly result in personal injury or even death due to incorrect handling.
 Caution	This symbol indicates information that, if ignored, could possibly result in personal injury or physical damage due to incorrect handling.
	This symbol indicates related or useful information.
	Symbol indicating an action that must not be done
	Symbol indicating an action that should be done

Safety Precautions for Installation

 Warning	
<p>The wall mount is designed specifically for mounting a projector to a wall. If anything other than a projector is mounted, the weight may result in damage.</p> <p>If the wall mount falls, it could cause personal injury or property damage.</p>	
<p>The installation work (wall mounting) should be performed by specialists who have technical knowledge and ability. Incomplete or incorrect installation could cause the wall mount to fall and cause personal injury or property damage.</p>	
<p>Handle the power cord carefully.</p> <p>Incorrect handling may cause fire or electric shock. Observe the following precautions when handling:</p> <ul style="list-style-type: none"> • Do not handle the power plug with wet hands. • Do not use a power cord that is damaged or modified. • Do not pull the power cord with too much force when routing the cable through the wall mount. 	

 Warning	
<p>Do not install the wall mount in a place where it might be subjected to vibration or shock. Vibration or shock could cause damage to the projector or mounting surface. It could also cause the wall mount or projector to fall and cause personal injury or property damage.</p>	
<p>The installation work should be performed by at least two qualified service personnel. If you need to loosen any screws during installation, be careful not to drop the wall mount. If the wall mount or projector falls, it could cause personal injury or property damage.</p>	
<p>Install the wall mount so that it can sufficiently support the weight of the projector and wall mount, and resist any horizontal vibration. Use M10 nuts and bolts and make sure to use appropriate wall anchors for your wall type. Nuts and bolts smaller than M10 could cause the wall mount to fall. Epson accepts no responsibility for any damage or injury caused by lack of wall strength or inadequate installation.</p>	
<p>When you mount the projector on the wall with the wall mount, the wall must be strong enough to hold the projector, the wall mount, as well as the Control Pad and the Touch Unit, if applicable. This wall mount should be installed on a concrete wall. Confirm the weight of the projector, the wall mount, the Control Pad, and the Touch Unit before installation, and maintain the strength of the wall. If the wall is not strong enough, reinforce the wall before installation.</p>	
<p>Inspect the wall mount on a regular basis to ensure there are no broken parts or loose screws. If there are any broken parts, stop using the wall mount immediately. If the wall mount or projector falls, it could cause personal injury or property damage.</p>	
<p>Never modify the wall mount.</p>	
<p>Do not hang on the wall mount or hang a heavy object on the wall mount. If the projector or wall mount falls, it could cause personal injury or property damage.</p>	
<p>Do not use adhesives, lubricants, or oils to install or adjust the wall mount. If you use adhesives to prevent the screws from loosening or things such as lubricants or oils on the part of the projector attached to the slide plate, the case may crack and cause the projector to fall, resulting in personal injury or property damage.</p>	
<p>Tighten all screws firmly after adjustment. Otherwise, the projector or wall mount may fall and cause personal injury or property damage.</p>	
<p>Never loosen the bolts and nuts after installation. Confirm that the screws have not become loose on a regular basis. If you find any loose screws, tighten them firmly. Otherwise, the projector or wall mount may fall and cause personal injury or property damage.</p>	
<p>When performing wiring, make sure the cable does not come into contact with any screws or bolts. Handling the cable incorrectly may cause fire or electric shock.</p>	

 Caution	
<p>Do not install the wall mount in a location where the operating temperature for your projector model may be exceeded. Such an environment may damage the projector.</p>	
<p>Install the wall mount in a place free from excessive dust and humidity to prevent the lens or optical components from becoming dirty.</p>	
<p>Do not use excessive force when adjusting the wall mount. The wall mount may break, resulting in personal injury.</p>	

Installation Location

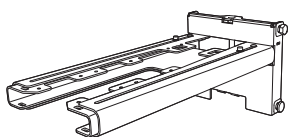
- Before installing the projector, verify the power supply wiring for the installation location.
- Install the projector away from other electric devices such as fluorescent lights or air conditioners. Some kinds of fluorescent lights could interfere with the remote control of the projector.
- Install the projector away from direct sunlight and other bright light sources.
- It is recommended to keep VGA computer cable length less than 65 feet (20 meters) to reduce external noise.
- Install the projector at an angle of no more than 3° horizontally or vertically in relation to the projection surface.
- Install the projector in a location where the projected image is within reach.
- The projector must be installed in one of the following locations in order for the Touch Unit to function properly (if applicable):
 - Mounted on a wall or suspended from the ceiling with images projected from in front of the screen.
 - Mounted vertically on a table with images projected from the front of the table. If using this installation method, you need the optional interactive table mount (ELPMB29).
- When powering the Control Pad using batteries (if applicable), verify that the installation location meets the following conditions:
 - Install the Control Pad on the same surface as the projection screen. If the projection screen and the Control Pad installation point are uneven, install the Control Pad approximately 8 inches (20 cm) from the edge of the screen.
 - Make sure there are no obstacles between the Control Pad and the projector (not including the Touch Unit).
- Use the optional remote control cable set (model ELPKC28, part number V12H005C28) to supply power to the Control Pad in the following situations:
 - The required conditions above are not met.
 - The projection screen and the Control Pad installation point are uneven and the difference in height is more than 2 inches (5 cm).
 - The projector is placed on a table and projecting to the screen.
 - Multiple projectors are being used.

1	Package Contents	7
2	Specifications	8
3	Connecting Devices	11
4	Positioning the Projector	13
	Installation worksheet for projecting on a pre-installed wall-mounted board	14
	Installation worksheet for projecting on a plain wall	15
	Projection distance worksheets	16
	Diagonal image size and mounting position	17
	Distance from projection surface to wall plate	18
	Installation measurement tables	18
	Measurements in Inches for WXGA Projectors in Native Resolution	19
	Measurements in Inches for XGA Projectors in Native Resolution	20
	Measurements in Inches for WUXGA Projectors in Native Resolution	21
	Measurements in Centimeters for WXGA Projectors in Native Resolution	22
	Measurements in Centimeters for XGA Projectors in Native Resolution	23
	Measurements in Centimeters for WUXGA Projectors in Native Resolution	24
5	Installing the Projector	25
	Assemble the parts	25
	Install the wall plate on the wall	27
	Determine the projection distance and pull out the mount arm slider	29
	Route the cables through the wall mount arm	30
	Attach the mount arm to the wall plate	30
	Adjust the vertical slide position of the arm	32
	Attach the projector to the wall mount	33
	Connect the power cord and other cables to the projector	34

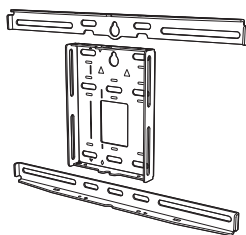
6	Adjusting the Image	35
	Turn on the projector	35
	Change the aspect ratio if necessary	35
	Display the test pattern	36
	Adjust the focus	37
	Use the adjustment dial on the left side to adjust the horizontal roll	37
	Use the adjustment knob on the right side to adjust the horizontal rotation	38
	Use the adjustment dial on the top to adjust the vertical tilt	38
	Adjust the horizontal slide	39
	Adjust the forward/backward slide	39
	Adjust the vertical slide	40
	Re-adjust the focus	40
	Turn off the display of the test pattern	41
7	Attaching the Covers	42
	Attach the wall plate cover and end cap	42
	Attach the cable cover to the projector	44
8	Appendix	45
	Installing the Touch Unit and Control Pad	45
	Using the Easy Interactive Function	45
	Correcting the Image Shape on a Curved Screen	45
	Attaching a Security Cable	46
	Limited Warranty	47

1 Package Contents

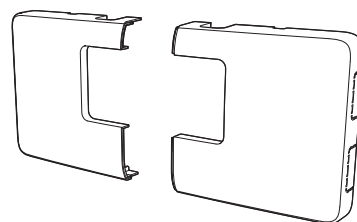
Wall Mount



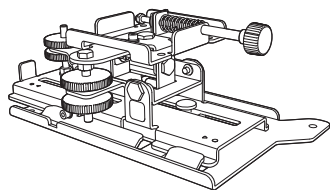
Wall mount



Wall plate



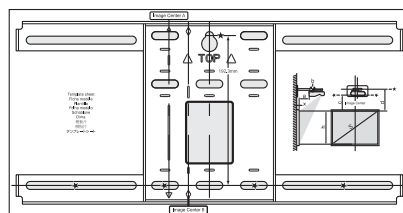
Wall plate cover



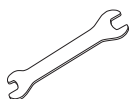
3-axis adjustment unit and slide plate (attached when shipped)



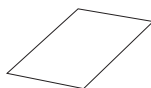
Hexagonal shaft



Template sheet (for installing the wall plate)



Open-ended wrench
13 mm (for M8 and M6) ×
6 mm (for hexagonal
shaft)



Masking sticker
(for mount arm)



End cap






Hexagon wrench (for M4)

Shape	Name	Quantity	Application
	M4 × 12 mm hexagon socket head cap bolt with washer/spring washer	5	For wall plate assembly
		4	For 3-axis adjustment unit/wall mount installation
		4	For slide plate/projector installation
	M6 × 20 mm hexagon shoulder bolt with washer/spring washer	1	For wall mount/wall plate installation
	M6 × 20 mm cross recessed head shoulder screw with plastic washer	3	

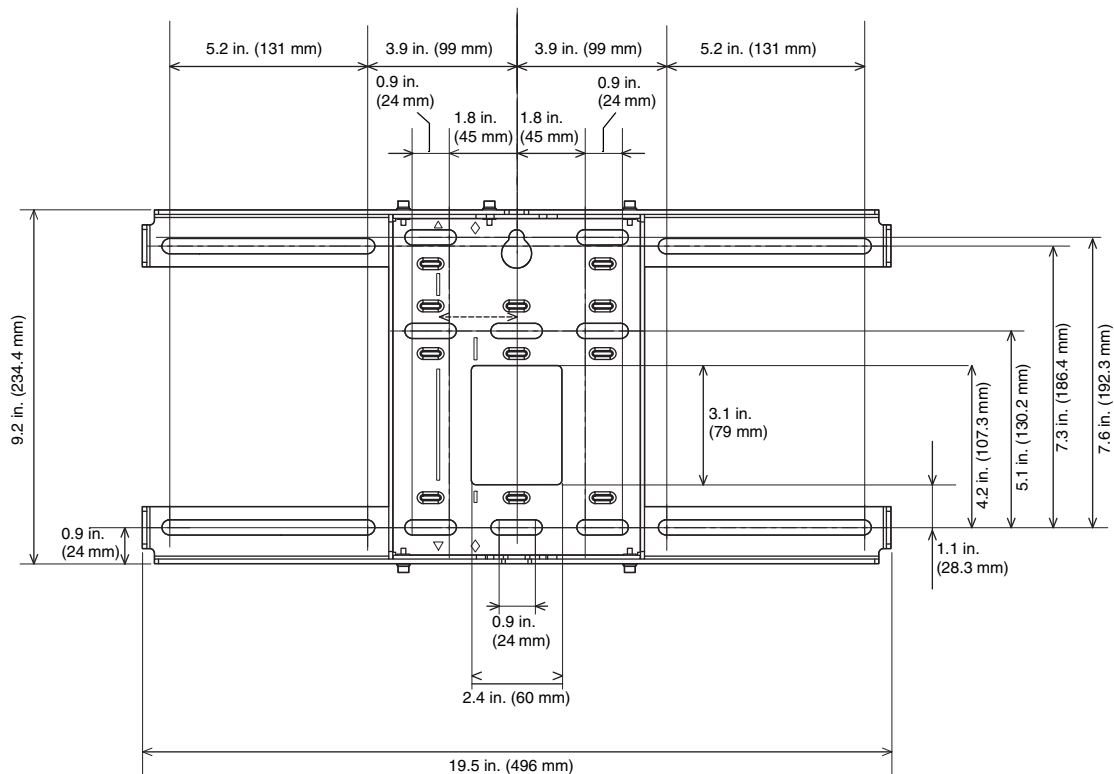
- Use the bolts or screws supplied with the wall mount to install it as directed in this guide. Do not substitute these bolts with any other types.
- You need to use commercially available M10 × 60 mm anchors (at least 3) to attach the wall plate to the wall.
- Gather the tools and parts you need before you begin installation, including a #3 cross-head screwdriver.

2 Specifications

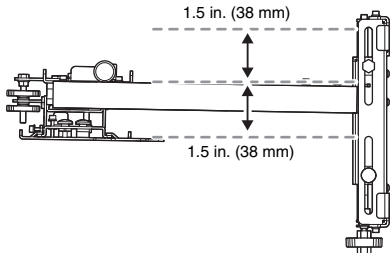
Item	Specification	Additional information	Reference page
Wall mount weight (including the 3-axis adjustment unit, slide plate, wall plate, wall plate cover, and end cap)	Approx. 15.9 lb (7.2 kg)	Wall mount: 6.4 lb (2.9 kg) 3-axis adjustment unit: 2.2 lb (1.0 kg) Slide plate: 1.3 lb (0.6 kg) Wall plate: 4.4 lb (2.0 kg) Wall plate cover and end cap: 1.5 lb (0.7 kg)	—
Maximum load capacity	20.9 lb (9.5 kg)	—	—
Vertical slide adjustment range	±1.5 in. (38 mm)	—	Refer to the illustration below
Horizontal slide adjustment range	±1.8 in. (45 mm)	—	Refer to the illustration on page 9
Forward/backward slide adjustment range	0.5 to 13.8 in. (13 to 350 mm)	Arm slide adjustment range: 0 to 10.4 in. (0 to 263 mm) Adjustment from 3-axis adjustment unit installation position: 3.4 in. (87 mm)	Refer to the illustration on page 9
Horizontal roll adjustment range	±3°	Fine adjustments possible with adjustment dial	 p. 37
Horizontal rotation adjustment range	±8°	Fine adjustments possible with adjustment knob	 p. 38
Vertical tilt adjustment range	±3°	Fine adjustments possible with adjustment dial	 p. 38

Wall plate

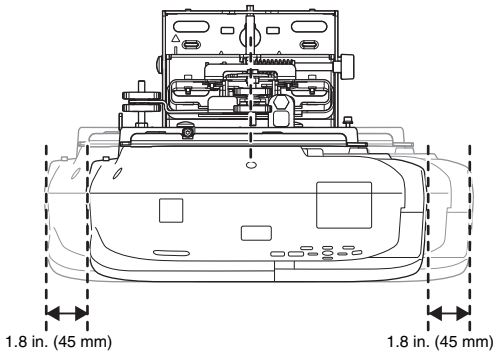
The wall plate is in three pieces when shipped. Use the included M4 × 12 mm bolts (×6) to attach the separate pieces together before mounting the projector. See page 25 for instructions.



Vertical slide adjustment range

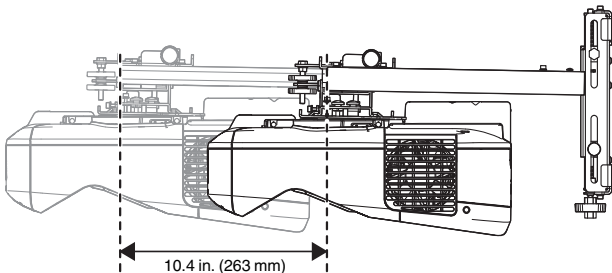


Horizontal slide adjustment range



Forward/backward slide adjustment range

Arm slide adjustment range



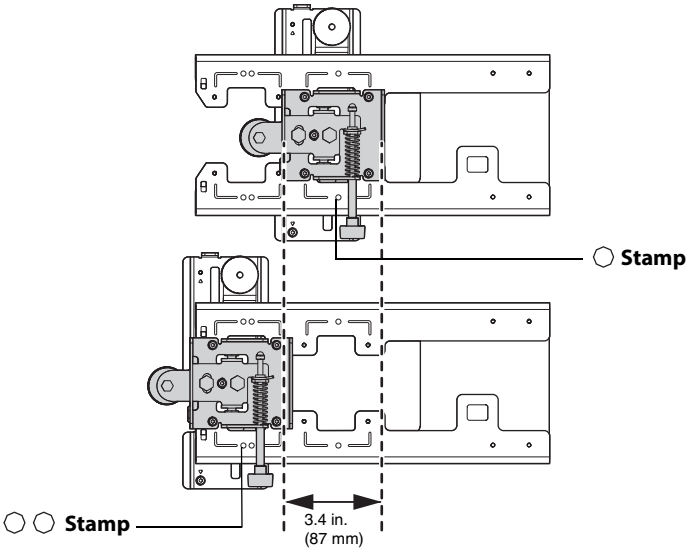
Adjustment from 3-axis adjustment unit installation position

By changing the installation position of the 3-axis adjustment unit to the front or back, you can adjust the installation position of the projector.

When the screen size is less than 75 inches (85 inches for WUXGA images), install it at the position marked with a ○ stamp on the mount arm.

When the screen size is 75 inches or more (85 inches or more for WUXGA images), install it at the position marked with a ○○ stamp on the mount arm.

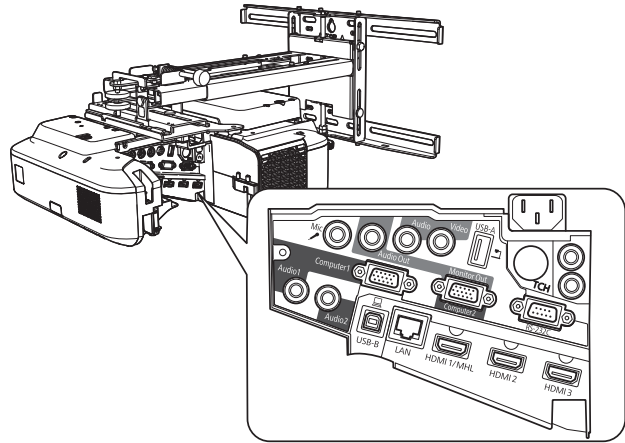
To see these stamps, you need to remove the two top bolts and slide out the arm extension.



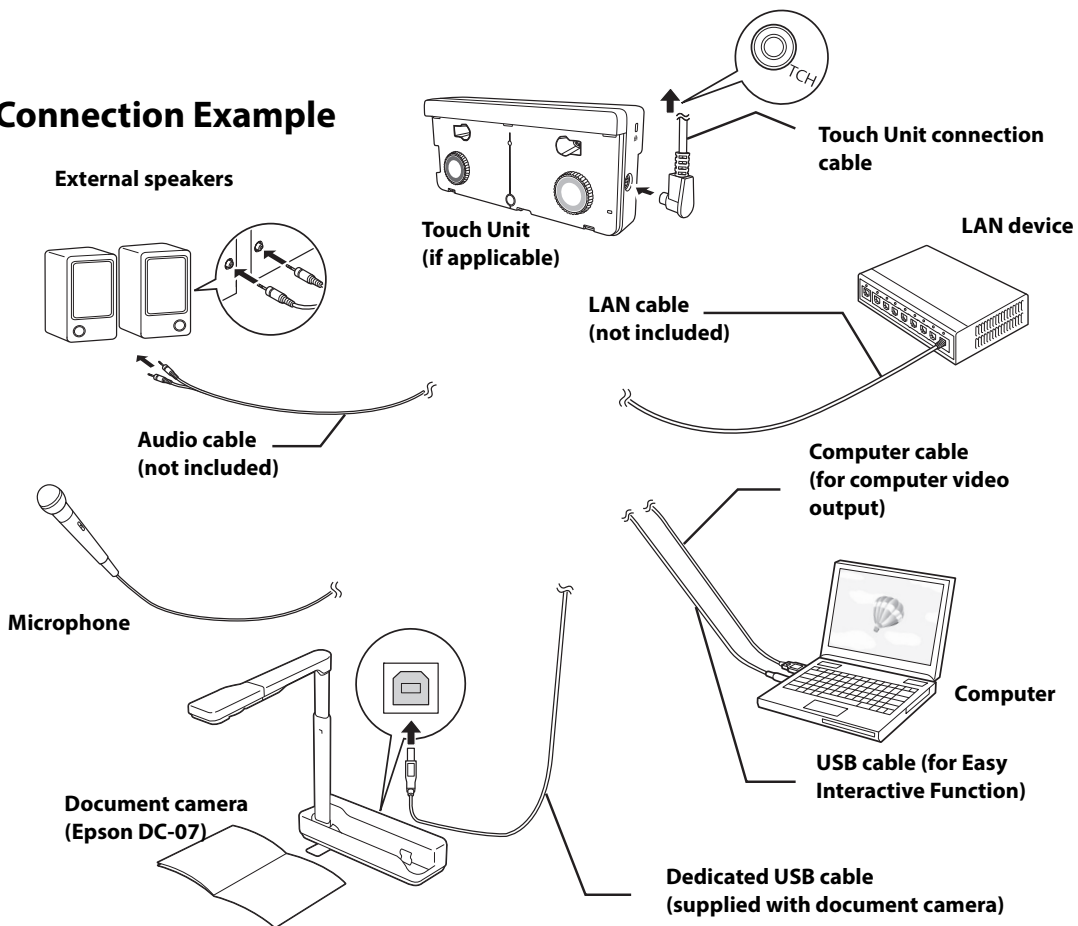
3 Connecting Devices

Make sure you have the power cord, computer cable, and other parts at the location where the wall mount is to be installed.

Make sure you also have all necessary cables for the Touch Unit (if applicable) and other devices, such as a document camera or microphone, that you will connect to the projector. Your projector's connection panel may differ slightly from the model in the illustrations. For details, refer to the online *User's Guide* for your projector.



Connection Example



For Interactive Use

When interacting with a computer, you need a USB cable. However, when using the projector's built-in toolbar, you do not need a USB cable.

Connecting the Control Pad

The Control Pad is included with the BrightLink Pro 1410Wi/1420Wi/1430Wi/1450Ui/1460Ui and BrightLink 697Ui projectors. It provides a convenient alternative to the remote control for turning on the projector and selecting whiteboard mode. Certain Control Pad models also have additional functions.

You must install the control pad on the same surface as the projector, within the range specified in the installation instructions. You can use the included batteries to power the control pad, or the optional remote control cable set (model ELPKC28, part number V12H005C28).



See the documentation included with your projector for details on mounting and connecting the Control Pad.

4 Positioning the Projector

The BrightLink Pro 1410Wi/1420Wi/1430Wi, BrightLink 475W/485W/575Wi/575Wi+/585Wi/585Wi+/595Wi/595Wi+/675Wi+/685Wi/685Wi+/695Wi/695Wi+, and PowerLite 475W/485W/575W/585W/675W/685W can project a WXGA image up to 100 inches diagonally. The BrightLink Pro 1450Ui/1460Ui and BrightLink 696Ui/697Ui can project a WUXGA image up to 100 inches diagonally. The BrightLink 480i and PowerLite 470/480/570/580/680 can project an XGA image up to 93 inches diagonally.



This guide covers your projector's native resolution and aspect ratio. For other resolutions and aspect ratios, use the Throw Distance Calculator at www.epson.com/support (U.S.), www.epson.ca/support (Canada), or www.epson.com/jm/support (Latin America).

You can project onto a pre-installed whiteboard or directly onto a plain wall.

The height of the included wall mount determines the maximum image size and how high the image appears on the wall or whiteboard. The distance of the projector from the wall (once it is mounted on the adjustable arm of the wall mount) also affects image size and position.

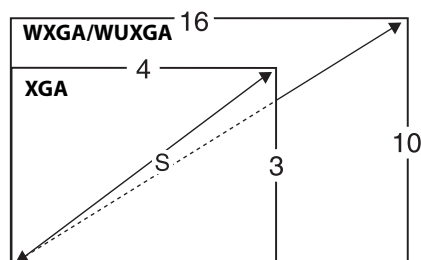
When installing the Touch Unit (if applicable) on a whiteboard, you need at least 4.7 inches (120 mm) between the top edge of the projected image and the top edge of the projection surface. If you want to install the Touch Unit outside of the frame of a whiteboard, use the included Touch Unit Bracket. If the distance from the wall to the surface of the whiteboard is greater than 2 inches (51 mm) or the frame of the whiteboard extends more than 0.1 inch (3 mm) away from the board surface, you must install the Touch Unit on the whiteboard or screen.



See the documentation included with your projector for details on mounting the Touch Unit.

If you are planning to project on a whiteboard, the image may not fill the entire board, depending on the aspect ratio. If you match the image height to the board's height, gaps may appear on the sides of the board.

Use the following worksheets to determine the proper location of the wall plate on the wall. If you are projecting onto a pre-installed whiteboard, use the worksheet on page 14. If you are projecting on a plain wall, use the worksheet on page 15.

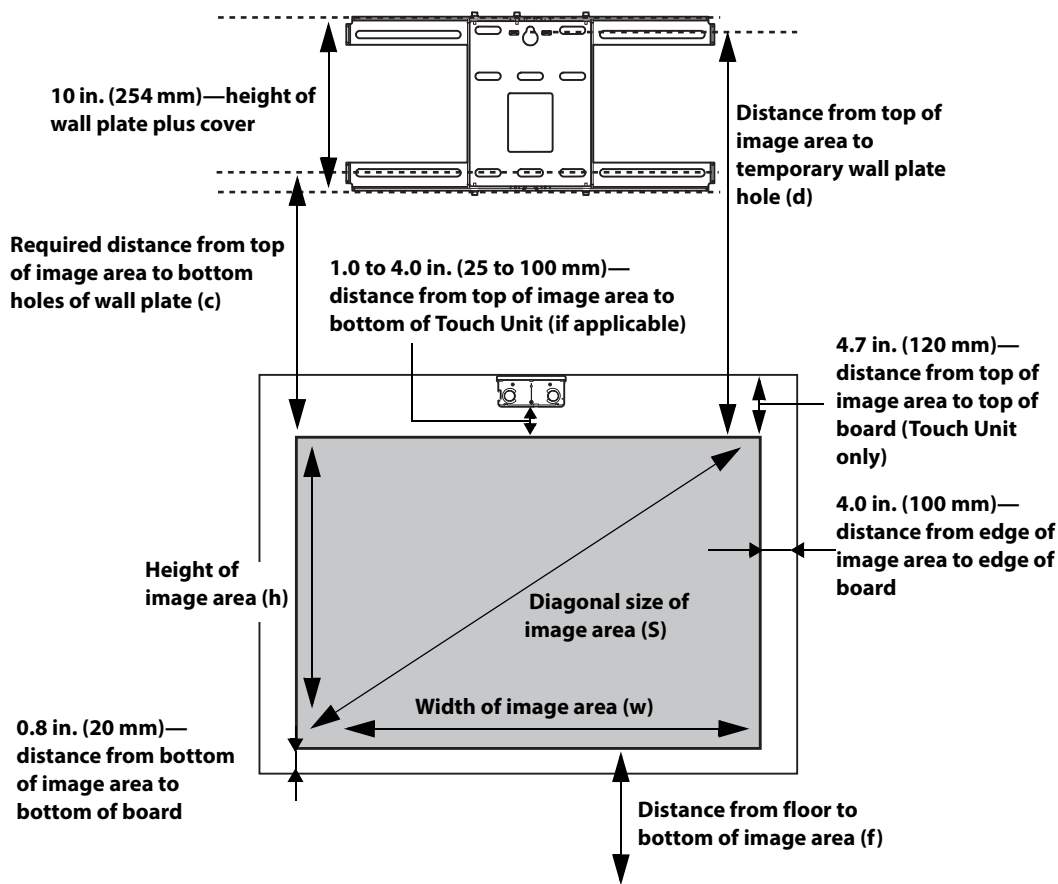



When installing the Touch Unit on a whiteboard (if applicable), make sure to leave the following gaps around the edge of the board:

- From the top of the projected image to the bottom of the Touch Unit: 1 to 4 inches (25 to 100 mm)**
- From the edges of the projected image to the edges of the board: at least 4 inches (100 mm) left and right**
- From the bottom of the projected image to the bottom of the board: 0.8 inch (20 mm)**

If there are obstacles such as cables, whiteboard trays, pen holders, or frames within the areas listed above, the Touch Unit will not operate properly.

Installation worksheet for projecting on a pre-installed wall-mounted board



 **If you want to install the Touch Unit outside of the frame of a whiteboard, use the included Touch Unit Bracket. If the distance from the wall to the surface of the whiteboard is greater than 2 inches (51 mm) or the frame of the whiteboard extends more than 0.1 inch (3 mm) away from the board surface, you must install the Touch Unit on the whiteboard or screen.**

See the documentation included with your projector for details on mounting the Touch Unit.

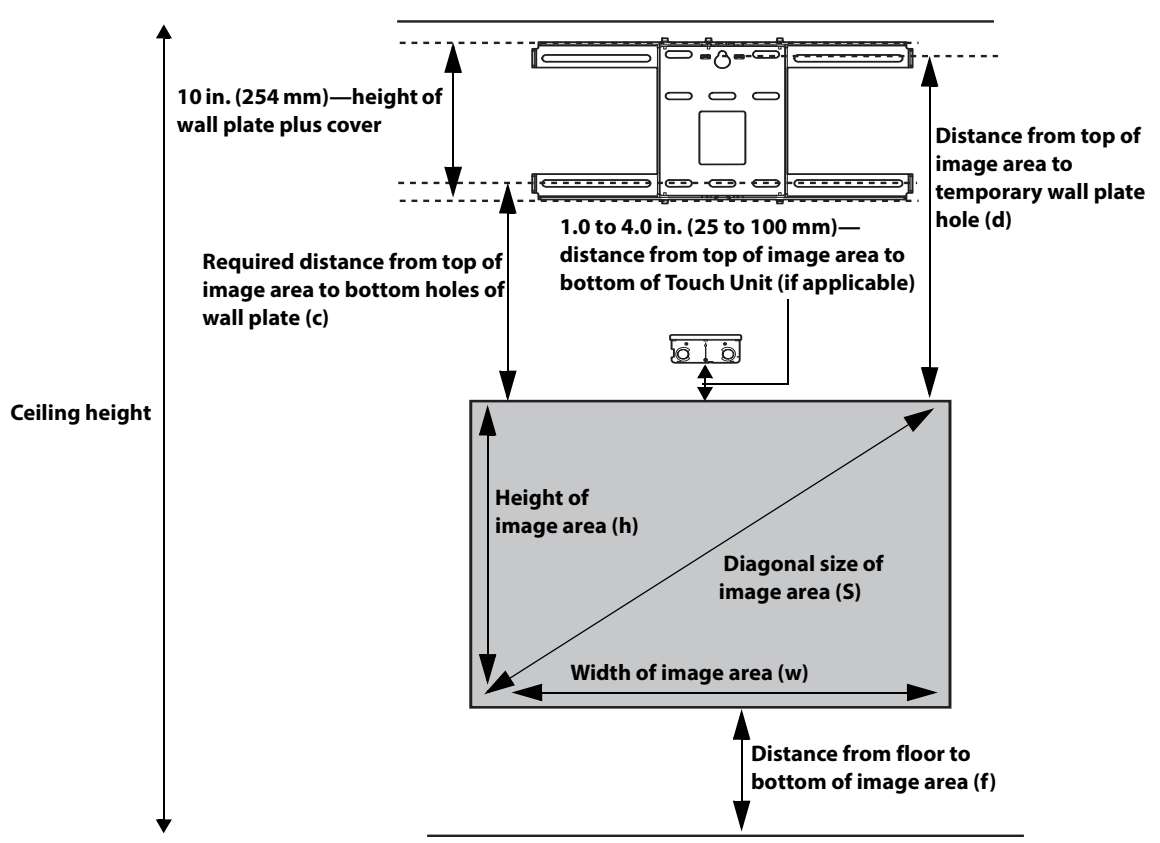
1. Measure the ceiling height (distance from the floor to the ceiling). _____
2. Measure the height of the board's image area (h). _____ (h)
3. Measure the width of the board's image area (w). _____ (w)
4. Measure the distance from the floor to the bottom of the board's image area (f). _____ (f)
5. Measure the thickness of the board (distance from the projection surface to the wall) _____ (x)
6. Determine the aspect ratio of the board or of the images that will be projected. For new computers or laptops, this will most likely be WXGA or WUXGA (16:10). For older equipment, this will most likely be XGA (4:3). You may need to consult your IT department for this information.

___ 4:3 XGA ___ 16:10 WXGA/WUXGA ___ 16:9 Widescreen

If your desired aspect ratio does not match the native aspect ratio of your product, use the Throw Distance Calculator at www.epson.com/support (U.S.), www.epson.ca/support (Canada), or www.epson.com.jm (Latin America) to determine the correct measurements.

7. Using the tables on pages 19 to 23 and your desired image height (h), find the required distance between the top of the image area and the bottom holes of the wall plate (c). _____ (c)
8. Using the tables on pages 19 to 23 and your desired image height (h), find the required distance between the top of the image area and the temporary wall plate hole (d). _____ (d)
9. Determine the position for your projector installation by adding the values for (f), (h), _____ (f)
and (c), plus an additional 10 inches for the height of the wall plate plus the cover. _____ (h)
If the ceiling height of your room (as noted in step 1) does not meet the minimum _____ (c)
ceiling height required for your board, you may need to select a smaller image size or ±10 inches
move the board to a lower position on the wall. _____ total
10. After confirming your image size, use tape or a pencil to mark the distance (c) from the top of the image area on the board to the bottom holes of the wall plate.
11. Align the ★ line (horizontal) on the template sheet with the (c) mark, then align the center line on the template sheet with the center of the image area. Follow the instructions on page 25 to install the projector.

Installation worksheet for projecting on a plain wall



1. Measure the ceiling height (distance from the floor to the ceiling). _____
2. Determine the desired aspect ratio of the image. For new computers or laptops, this will most likely be WXGA or WUXGA (16:10). For older equipment, this will most likely be XGA (4:3). You may need to consult your IT department for this information.
 ___ 4:3 XGA ___ 16:10 WXGA/WUXGA ___ 16:9 Widescreen

If your desired aspect ratio does not match the native resolution of your product, use the Throw Distance Calculator at www.epson.com/support (U.S.), www.epson.ca/support (Canada), or www.epson.com.jm (Latin America) to determine the correct measurements.

3. Using the tables on pages 19 to 24, select the largest image size available for your ceiling height.

Image height (h)	_____ (h)
Image width (w)	_____ (w)
4. Determine the desired distance from the floor to the bottom of the image area (f). _____ (f)
 The recommended minimum distance is 30 inches (762 mm). Images appearing less than 28 inches (711 mm) from the floor may be obstructed for some viewers.
5. Find the top of the projected image area by adding distances (f) and (h). _____
6. Use the tables on pages 19 to 23 to determine the required distance from the top of the image area to the bottom holes of the wall plate (c). _____ (c)
7. Use the tables on pages 19 to 23 to determine the required distance between the top of the image area and the temporary wall plate hole (d). _____ (d)
8. Add:

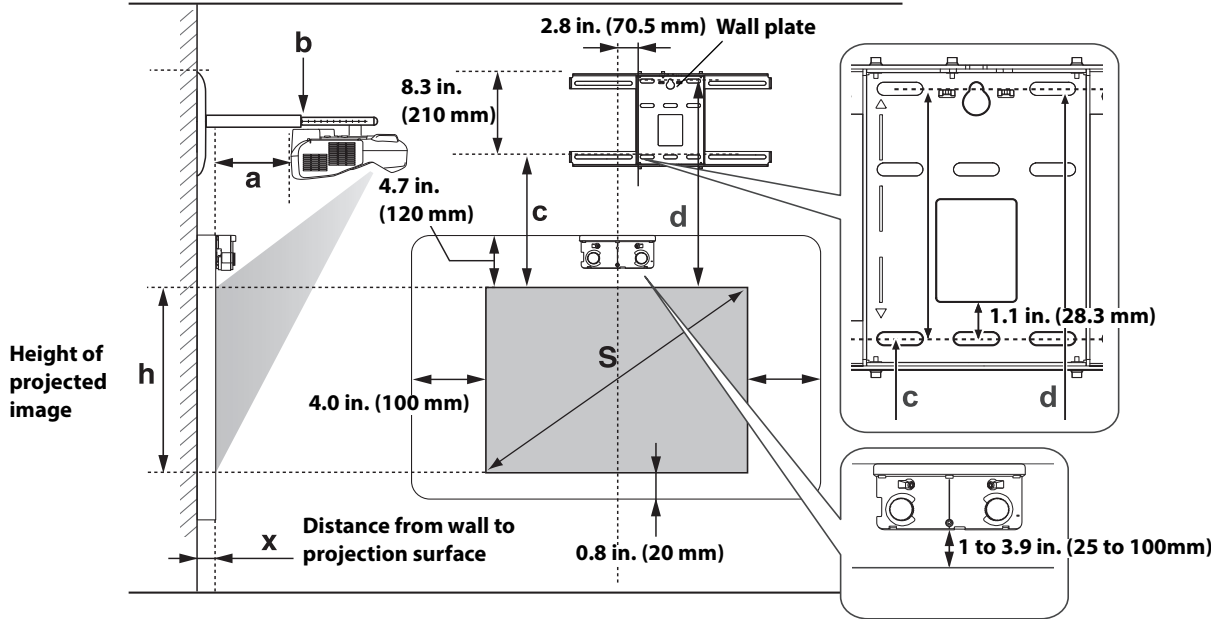
Required distance from top of image area to bottom holes of wall plate (c)	_____ (c)
Height of image area (h)	_____ (h)
Distance from floor to bottom of image area (f)	_____ (f)
Height of wall plate plus cover	<u>+10</u> inches
If the total exceeds the ceiling height, you will need to reduce the image size or reduce the distance from the floor to the bottom of the image area.	_____ total
9. After confirming your image size, use tape or a pencil to mark the distance (c) from the top of the image area on the board to the bottom holes of the wall plate.
10. Align the ★ line (horizontal) on the template sheet with the (c) mark, then align the center line on the template sheet with the center of the image area. Follow the instructions on page 25 to install the projector.

Projection distance worksheets

The tables on the following pages provide installation information for all native image sizes. The minimum ceiling height is based on an image 30 inches (762 mm) from the floor; if the image is lower, the minimum ceiling height is reduced by the corresponding measurement.

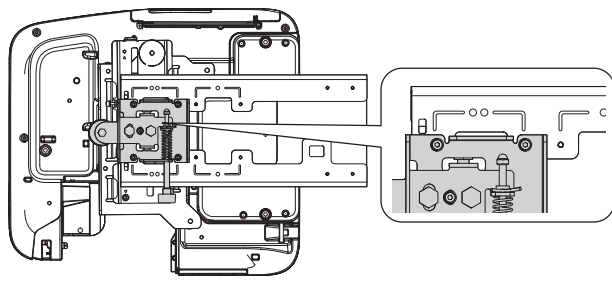
Use the worksheets, the illustrations, and the information in the tables on the following pages to determine the projection distance and placement of the wall plate.

Diagonal image size and mounting position

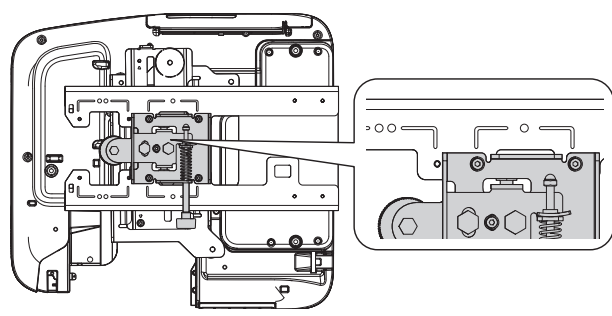


In order to see the stamp and the numbers on the slider scale, you need to slide out the arm extension.

When the diagonal image size is 75 inches or more (85 inches or more for WUXGA images), mount the 3-axis adjustment unit at the position marked with a $\bigcirc\bigcirc$ stamp.



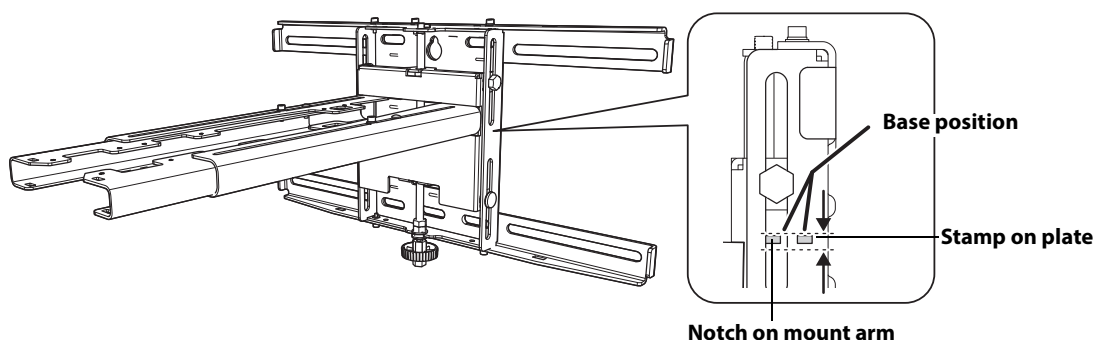
When the diagonal image size is less than 75 inches (85 inches for WUXGA images), mount the 3-axis adjustment unit at the position marked with a \bigcirc stamp.



Distance from projection surface to wall plate

The distance (c) from the projection surface to the bottom mounting holes on the wall plate is the number given when the vertical slide is set to the base position, as shown below.

Match the notch on the wall mount to the position of the stamp on the wall plate.



Installation measurement tables

Use the following table to determine which installation measurement table to use for your projector.



The measurements may differ depending on the location where you place the projector.

When projecting in Tele mode, the quality of the projected images may decrease.

Projector model	Maximum image size (diagonal)	Installation measurement table
BrightLink Pro 1450Ui/1460Ui	100 inches	WUXGA
BrightLink 696Ui/697Ui		
BrightLink Pro 1410Wi/1420Wi/1430Wi	100 inches	WXGA
BrightLink 475W/485W/575Wi/585Wi/595Wi/685Wi/695Wi		
BrightLink 575Wi+/585Wi+/595Wi+/675Wi+/685Wi+/695Wi+		
PowerLite 475W/485W/575W/585W/675W/685W		
BrightLink 480i	93 inches	XGA
PowerLite 470/480/570/580/680		



The throw distance measurements may differ slightly for the BrightLink Pro 1410Wi/1420Wi/1430Wi, BrightLink 475W/480i/485W/575Wi/575Wi+/585Wi/585Wi+/595Wi/595Wi+, and the PowerLite 470/475W/480/485W/570/575W/580/585W. For more information, see the Throw Distance Calculator at www.epson.com/support (U.S.), www.epson.ca/support (Canada), or www.epson.com/jm/support (Latin America).

Measurements in Inches for WXGA Projectors in Native Resolution

Diagonal image size (S)	Min. ceiling height*	Image width (w)	Image height (h)	Min. projection distance (a)	Sliderscale mark (b)	Distance from top of image to bottom wall plate holes (c)	Distance from top of image to temporary wall plate hole (d)
60"	78.7	50.9	31.8	1.5	5.7	6.9	14.4
61"	79.3	51.7	32.3	1.7	5.9	7.0	14.6
62"	80.0	52.6	32.8	2.0	6.2	7.1	14.7
63"	80.6	53.4	33.4	2.2	6.4	7.2	14.8
64"	81.3	54.3	33.9	2.5	6.7	7.3	14.9
65"	81.9	55.1	34.4	2.7	6.9	7.4	15.0
66"	82.5	56.0	35.0	3.0	7.2	7.6	15.1
67"	83.2	56.8	35.5	3.2	7.4	7.7	15.2
68"	83.8	57.7	36.0	3.4	7.6	7.8	15.4
69"	84.4	58.5	36.6	3.7	7.9	7.9	15.4
70"	85.1	59.4	37.1	3.9	8.1	8.0	15.6
71"	85.7	60.2	37.6	4.2	8.4	8.1	15.7
72"	86.4	61.1	38.1	4.4	8.6	8.2	15.8
73"	87.0	61.9	38.7	4.6	8.9	8.3	15.9
74"	87.7	62.8	39.3	4.9	9.1	8.4	16.0
75"	88.3	63.6	39.8	5.2	9.9	8.5	16.1
76"	88.9	64.4	40.3	5.4	6.2	8.7	16.2
77"	89.6	65.3	40.8	5.6	6.4	8.8	16.3
78"	90.2	66.1	41.3	5.9	6.7	8.9	16.5
79"	90.9	67.0	41.9	6.1	6.9	9.0	16.5
80"	91.5	67.8	42.4	6.3	7.1	9.1	16.7
81"	92.1	68.7	42.9	6.6	7.4	9.2	16.8
82"	92.8	69.5	43.5	6.9	7.6	9.3	16.9
83"	93.4	70.4	44.0	7.1	7.9	9.4	17.0
84"	94.1	71.2	44.5	7.3	8.1	9.5	17.1
85"	94.7	72.1	45.1	7.6	8.3	9.6	17.2
86"	95.4	72.9	45.6	7.8	8.6	9.8	17.3
87"	96.0	73.8	46.1	8.1	8.9	9.9	17.4
88"	96.6	74.6	46.6	8.3	9.1	10.0	17.6
89"	97.3	75.5	47.2	8.5	9.3	10.1	17.6
90"	97.9	76.3	47.7	8.8	9.6	10.2	17.8
91"	98.5	77.2	48.2	9.0	9.8	10.3	17.9
92"	99.2	78.0	48.7	9.3	10.1	10.4	18.0
93"	99.8	78.9	49.3	9.5	10.3	10.6	18.1
94"	100.5	79.7	49.8	9.8	10.6	10.7	18.2
95"	101.1	80.6	50.4	10.0	10.8	10.7	18.3
96"	101.7	81.4	50.9	10.2	11.0	10.9	18.4
97"	102.4	82.2	51.4	10.5	11.3	11.0	18.5
98"	103.0	83.1	51.9	10.7	11.5	11.1	18.7
99"	103.7	83.9	52.4	11.0	11.8	11.2	18.8
100"	104.3	84.8	53.0	11.2	12.0	11.3	18.9

* Based on an image 30 inches from the floor; if the image is lower, the minimum ceiling height is reduced by the corresponding measurement.

Measurements in Inches for XGA Projectors in Native Resolution

Diagonal image size (S)	Min. ceiling height*	Image width (w)	Image height (h)	Min. projection distance (a)	Sliderscale mark (b)	Distance from top of image to bottom wall plate holes (c)	Distance from top of image to temporary wall plate hole (d)
60"	82.4	48.0	36.0	2.7	6.9	6.4	14.0
61"	83.1	48.8	36.6	2.9	7.1	6.5	14.1
62"	83.8	49.6	37.2	3.2	7.4	6.6	14.2
63"	84.5	50.4	37.8	3.5	7.7	6.7	14.3
64"	85.2	51.2	38.4	3.7	7.9	6.8	14.4
65"	85.9	52.0	39.0	4.0	8.2	6.9	14.5
66"	86.6	52.8	39.6	4.2	8.4	7.0	14.6
67"	87.3	53.6	40.2	4.5	8.7	7.1	14.7
68"	88.0	54.4	40.8	4.8	9.0	7.2	14.8
69"	88.7	55.2	41.4	5.0	9.2	7.3	14.9
70"	89.4	56.0	42.0	5.3	9.5	7.4	15.0
71"	90.2	56.8	42.6	5.6	9.8	7.6	15.1
72"	90.9	57.6	43.2	5.8	10.0	7.6	15.2
73"	91.5	58.4	43.8	6.1	10.3	7.8	15.3
74"	92.2	59.2	44.4	6.3	10.5	7.8	15.4
75"	93.0	60.0	45.0	6.6	7.4	8.0	15.5
76"	93.7	60.8	45.6	6.9	7.6	8.1	15.6
77"	94.4	61.6	46.2	7.1	7.9	8.1	15.7
78"	95.1	62.4	46.8	7.4	8.1	8.3	15.8
79"	95.7	63.2	47.4	7.6	8.4	8.3	15.9
80"	96.5	64.0	48.0	7.9	8.7	8.5	16.0
81"	97.2	64.8	48.6	8.1	8.9	8.6	16.1
82"	97.9	65.6	49.2	8.4	9.2	8.7	16.2
83"	98.6	66.4	49.8	8.7	9.4	8.8	16.3
84"	99.3	67.2	50.4	8.9	9.7	8.9	16.4
85"	100.0	68.0	51.0	9.2	10.0	9.0	16.5
86"	100.7	68.8	51.6	9.4	10.2	9.1	16.7
87"	101.4	69.6	52.2	9.7	10.5	9.2	16.7
88"	102.1	70.4	52.8	10.0	10.7	9.3	16.9
89"	102.8	71.2	53.4	10.2	11.0	9.4	17.0
90"	103.5	72.0	54.0	10.5	11.3	9.5	17.0
91"	104.2	72.8	54.6	10.7	11.5	9.6	17.2
92"	104.9	73.6	55.2	11.0	11.8	9.7	17.2
93"	105.6	74.4	55.8	11.3	12.0	9.8	17.4
94"	106.3	75.2	56.4	11.5	12.3	9.9	17.5

* Based on an image 30 inches from the floor; if the image is lower, the minimum ceiling height is reduced by the corresponding measurement.

Measurements in Inches for WUXGA Projectors in Native Resolution

Diagonal image size (S)	Min. ceiling height*	Image width (w)	Image height (h)	Min. projection distance (a)	Sliderscale mark (b)	Distance from top of image to bottom wall plate holes (c)	Distance from top of image to temporary wall plate hole (d)
70"	85.5	59.4	37.1	2.2	6.5	8.4	16.0
71"	86.2	60.2	37.6	2.4	6.7	8.5	16.1
72"	86.8	61.1	38.1	2.7	7.0	8.7	16.2
73"	87.5	61.9	38.7	2.9	7.2	8.8	16.3
74"	88.1	62.8	39.2	3.2	7.5	8.9	16.5
75"	88.7	63.6	39.8	3.4	7.7	9.0	16.5
76"	89.4	64.4	40.3	3.7	8.0	9.1	16.7
77"	90.0	65.3	40.8	3.9	8.2	9.2	16.8
78"	90.7	66.1	41.3	4.2	8.5	9.3	16.9
79"	91.3	67.0	41.9	4.4	8.7	9.4	17.0
80"	91.9	67.8	42.4	4.6	8.9	9.5	17.1
81"	92.6	68.7	42.9	4.9	9.2	9.6	17.2
82"	93.2	69.5	43.5	5.2	9.4	9.8	17.3
83"	93.9	70.4	44.0	5.4	9.7	9.9	17.4
84"	94.5	71.2	44.5	5.7	9.9	10.0	17.6
85"	95.1	72.1	45.0	5.9	6.8	10.1	17.6
86"	95.8	72.9	45.6	6.1	7.0	10.2	17.8
87"	96.4	73.8	46.1	6.4	7.2	10.3	17.9
88"	97.1	74.6	46.7	6.7	7.5	10.4	18.0
89"	97.7	75.5	47.2	6.9	7.8	10.6	18.1
90"	98.4	76.3	47.7	7.1	8.0	10.7	18.2
91"	99.0	77.2	48.2	7.4	8.2	10.7	18.3
92"	99.6	78.0	48.8	7.6	8.5	10.9	18.4
93"	100.3	78.9	49.3	7.9	8.7	11.0	18.5
94"	100.9	79.7	49.8	8.1	9.0	11.1	18.7
95"	101.6	80.6	50.4	8.4	9.3	11.2	18.8
96"	102.2	81.4	50.9	8.6	9.5	11.3	18.9
97"	102.8	82.2	51.4	8.9	9.7	11.4	19.0
98"	103.5	83.1	51.9	9.1	10.0	11.5	19.1
99"	104.1	83.9	52.5	9.4	10.2	11.7	19.2
100"	104.3	84.8	53	9.6	10.5	11.8	19.3

* Based on an image 30 inches from the floor; if the image is lower, the minimum ceiling height is reduced by the corresponding measurement.

Measurements in Centimeters for WXGA Projectors in Native Resolution

Diagonal image size (S)	Min. ceiling height*	Image width (w)	Image height (h)	Min. projection distance (a)	Sliderscale mark (b)	Distance from top of image to bottom wall plate holes (c)	Distance from top of image to temporary wall plate hole (d)
60"	199.9	129.2	80.8	3.8	14.5	17.5	36.7
61"	201.5	131.4	82.1	4.4	15.1	17.8	37.0
62"	203.1	133.5	83.4	5.0	15.7	18.1	37.3
63"	204.8	135.7	84.8	5.6	16.3	18.4	37.6
64"	206.4	137.9	86.2	6.3	17.0	18.6	37.8
65"	208.0	140.0	87.5	6.9	17.6	18.9	38.1
66"	209.6	142.2	88.8	7.5	18.2	19.2	38.4
67"	211.3	144.3	90.2	8.1	18.8	19.5	38.7
68"	212.9	146.5	91.5	8.7	19.4	19.8	39.0
69"	214.5	148.6	92.9	9.3	20.0	20.0	39.2
70"	216.2	150.8	94.3	10.0	20.7	20.3	39.5
71"	217.8	152.9	95.6	10.6	21.3	20.6	39.8
72"	219.4	155.1	96.9	11.2	21.9	20.9	40.1
73"	221.0	157.2	98.2	11.8	22.5	21.2	40.4
74"	222.7	159.4	99.7	12.4	23.1	21.4	40.6
75"	224.3	161.5	101.0	13.1	23.7	21.7	40.9
76"	225.9	163.7	102.3	13.7	24.3	22.0	41.2
77"	227.5	165.9	103.6	14.3	24.9	22.3	41.5
78"	229.2	168.0	105.0	14.9	25.5	22.6	41.8
79"	230.8	170.2	106.4	15.5	26.1	22.8	42.0
80"	232.4	172.3	107.7	16.1	26.7	23.1	42.3
81"	234.0	174.5	109.0	16.8	27.3	23.4	42.6
82"	235.7	176.6	110.4	17.4	27.9	23.7	42.9
83"	237.3	178.8	111.7	18.0	28.5	24.0	43.2
84"	238.9	180.9	113.1	18.6	29.1	24.2	43.4
85"	240.6	183.1	114.5	19.2	29.7	24.5	43.7
86"	242.2	185.2	115.8	19.9	30.3	24.8	44.0
87"	243.8	187.4	117.1	20.5	30.9	25.1	44.3
88"	245.4	189.5	118.4	21.1	31.5	25.4	44.6
89"	247.1	191.7	119.9	21.7	32.1	25.6	44.8
90"	248.7	193.9	121.2	22.3	32.7	25.9	45.1
91"	250.3	196.0	122.5	22.9	33.3	26.2	45.4
92"	251.9	198.2	123.8	23.6	33.9	26.5	45.7
93"	253.6	200.3	125.2	24.2	34.5	26.8	46.0
94"	255.2	202.5	126.5	24.8	35.1	27.1	46.3
95"	256.8	204.6	127.9	25.4	35.7	27.3	46.5
96"	258.4	206.8	129.2	26.0	36.3	27.6	46.8
97"	260.1	208.9	130.6	26.7	36.9	27.9	47.1
98"	261.7	211.1	131.9	27.3	37.5	28.2	47.4
99"	263.3	213.2	133.2	27.9	38.1	28.5	47.7
100"	265.0	215.3	134.7	28.5	38.7	28.7	47.9

* Based on an image 76.2 cm from the floor; if the image is lower, the minimum ceiling height is reduced by the corresponding measurement.

Measurements in Centimeters for XGA Projectors in Native Resolution

Diagonal image size (S)	Min. ceiling height*	Image width (w)	Image height (h)	Min. projection distance (a)	Sliderscale mark (b)	Distance from top of image to bottom wall plate holes (c)	Distance from top of image to temporary wall plate hole (d)
60"	209.3	121.9	91.4	6.8	17.5	16.3	35.5
61"	211.1	124.0	92.9	7.4	18.1	16.6	35.8
62"	212.9	126.0	94.5	8.1	18.8	16.8	36.0
63"	214.7	128.0	96.0	8.8	19.5	17.1	36.3
64"	216.5	130.0	97.6	9.4	20.1	17.3	36.5
65"	218.3	132.1	99.1	10.1	20.8	17.6	36.8
66"	220.0	134.1	100.5	10.7	21.4	17.9	37.1
67"	221.8	136.1	102.1	11.4	22.1	18.1	37.3
68"	223.6	138.2	103.6	12.1	22.8	18.4	37.6
69"	225.4	140.2	105.2	12.7	23.4	18.6	37.8
70"	227.2	142.2	106.7	13.4	24.1	18.9	38.1
71"	229.0	144.3	108.2	14.1	24.8	19.2	38.4
72"	230.8	146.3	109.8	14.7	25.4	19.4	38.6
73"	232.5	148.3	111.2	15.4	26.1	19.7	38.9
74"	234.3	150.4	112.8	16.0	26.7	19.9	39.1
75"	236.1	152.4	114.3	16.7	27.4	20.2	39.4
76"	237.9	154.4	115.8	17.4	28.1	20.5	39.7
77"	239.7	156.5	117.4	18.0	28.8	20.7	39.9
78"	241.5	158.5	118.9	18.7	29.5	21.0	40.2
79"	243.2	160.5	120.4	19.4	30.2	21.2	40.4
80"	245.0	162.6	121.9	20.0	30.9	21.5	40.7
81"	246.8	164.6	123.4	20.7	31.6	21.8	41.0
82"	248.6	166.6	125.0	21.3	32.3	22.0	41.2
83"	250.4	168.7	126.5	22.0	33.0	22.3	41.5
84"	252.2	170.7	128.1	22.7	33.7	22.5	41.7
85"	253.9	172.7	129.5	23.3	34.4	22.8	42.0
86"	255.7	174.8	131.0	24.0	35.1	23.1	42.3
87"	257.5	176.8	132.6	24.7	35.8	23.3	42.5
88"	259.3	178.8	134.1	25.3	36.5	23.6	42.8
89"	261.1	180.8	135.6	26.0	37.2	23.9	43.1
90"	262.9	182.9	137.2	26.6	37.9	24.1	43.3
91"	264.7	184.9	138.7	27.3	38.6	24.4	43.6
92"	266.4	186.9	140.2	28.0	39.3	24.6	43.8
93"	268.2	189.0	141.7	28.6	40.0	24.9	44.1
94"	270.0	191.0	143.2	29.3	40.7	25.2	44.4

* Based on an image 76.2 cm from the floor; if the image is lower, the minimum ceiling height is reduced by the corresponding measurement.

Measurements in Centimeters for WUXGA Projectors in Native Resolution

Diagonal image size (S)	Min. ceiling height*	Image width (w)	Image height (h)	Min. projection distance (a)	Sliderscale mark (b)	Distance from top of image to bottom wall plate holes (c)	Distance from top of image to temporary wall plate hole (d)
70"	217.2	150.8	94.2	5.6	16.5	21.4	40.6
71"	218.9	152.9	95.6	6.2	17.1	21.7	40.9
72"	220.5	155.1	96.9	6.8	17.7	22.0	41.2
73"	222.2	157.2	98.3	7.4	18.3	22.3	41.5
74"	223.8	159.4	99.6	8.1	19.0	22.6	41.8
75"	225.4	161.5	101.0	8.7	19.6	22.8	42.0
76"	227.0	163.7	102.3	9.3	20.2	23.1	42.3
77"	228.7	165.9	103.7	10.0	20.9	23.4	42.6
78"	230.3	168.0	105.0	10.6	21.5	23.7	42.9
79"	231.9	170.2	106.3	11.2	22.1	24.0	43.2
80"	233.5	172.3	107.7	11.8	22.7	24.2	43.4
81"	235.1	174.5	109.0	12.5	23.4	24.5	43.7
82"	236.8	176.6	110.4	13.1	24.0	24.8	44.0
83"	238.4	178.8	111.7	13.7	24.6	25.1	44.3
84"	240.1	180.9	113.1	14.4	25.2	25.4	44.6
85"	241.6	183.1	114.4	15.0	17.2	25.6	44.8
86"	243.3	185.2	115.8	15.6	17.8	25.9	45.1
87"	244.9	187.4	117.1	16.2	18.4	26.2	45.4
88"	246.6	189.5	118.5	16.9	19.1	26.5	45.7
89"	248.2	191.7	119.8	17.5	19.7	26.8	46.0
90"	249.9	193.9	121.2	18.1	20.3	27.1	46.3
91"	251.4	196.0	122.5	18.7	20.9	27.3	46.5
92"	253.1	198.2	123.9	19.4	21.6	27.6	46.8
93"	254.7	200.3	125.2	20.0	22.2	27.9	47.1
94"	256.3	202.5	126.5	20.6	22.8	28.2	47.4
95"	258.0	204.6	127.9	21.3	23.5	28.5	47.7
96"	259.5	206.8	129.2	21.9	24.1	28.7	47.9
97"	261.2	208.9	130.6	22.5	24.7	29.0	48.2
98"	262.8	211.1	131.9	23.1	25.3	29.3	48.5
99"	264.5	213.2	133.3	23.8	26.0	29.6	48.8
100"	266.1	215.4	134.6	24.4	26.6	29.9	49.1

* Based on an image 76.2 cm from the floor; if the image is lower, the minimum ceiling height is reduced by the corresponding measurement.

5 Installing the Projector

Make sure to follow the steps below to install the wall mount. If you ignore these steps, the wall mount could fall and cause personal injury or property damage.

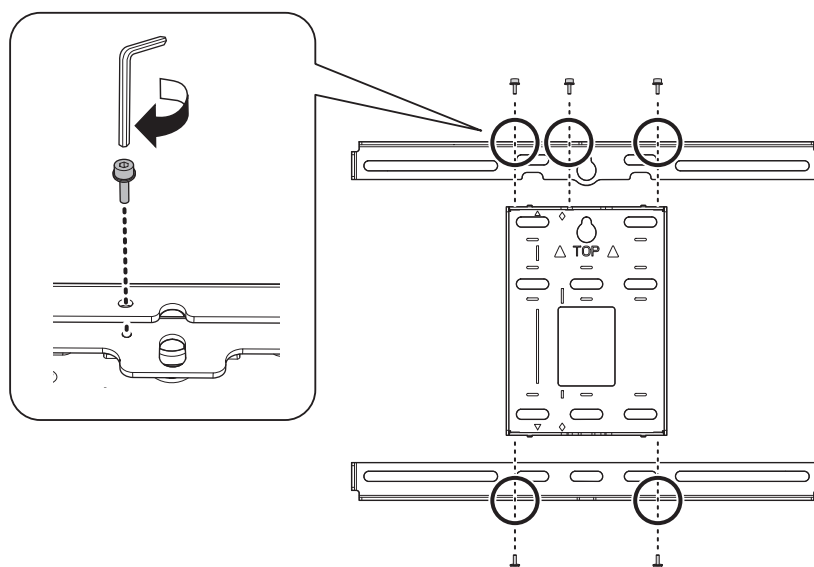
Warning

- ❑ **When you mount the projector on the wall with the wall mount, the wall requires enough strength to hold the projector and the wall mount, as well as the Control Pad and the Touch Unit, if applicable.**
This wall mount should be installed on a concrete wall. Confirm the weight of the projector and the wall mount before installation, and maintain the strength of the wall. If the wall is not strong enough, reinforce the wall before installation.
- ❑ **The maximum combined weight of the projector and the wall mount is 36.8 lb (16.7 kg).**
- ❑ **Do not hang cable over the wall mount.**
- ❑ **Install the wall mount so that it can sufficiently support the weight of the projector and wall mount, and resist any horizontal vibration. Use M10 nuts and bolts and make sure to use appropriate wall anchors for your wall type. Nuts and bolts smaller than M10 could cause the wall mount to fall.**
- ❑ **Epson accepts no responsibility for any damage or injury caused by lack of wall strength or inadequate installation.**

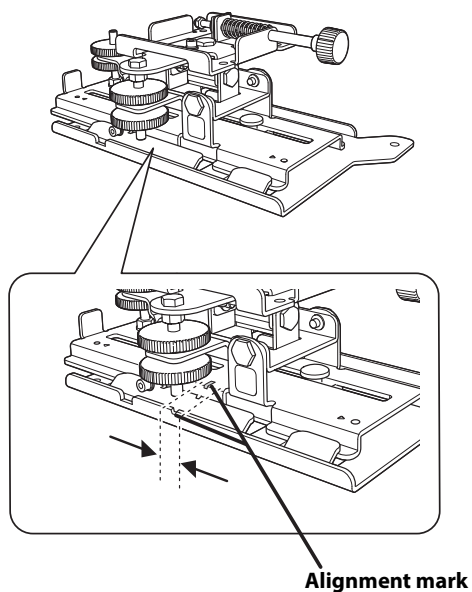
Assemble the parts

1. Assemble the wall plate.

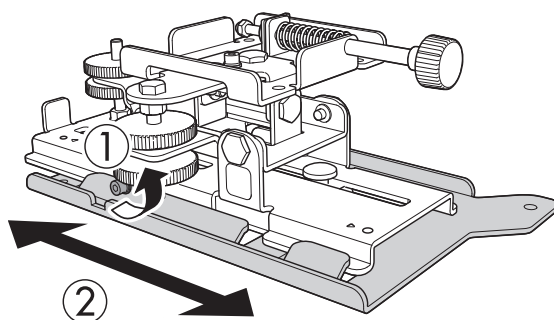
Assemble the wall plate and two frames into one unit, and secure them with the M4 × 12 mm hexagon socket head cap bolts (×5) supplied.



2. Align the 3-axis adjustment unit with the slide plate's alignment mark.

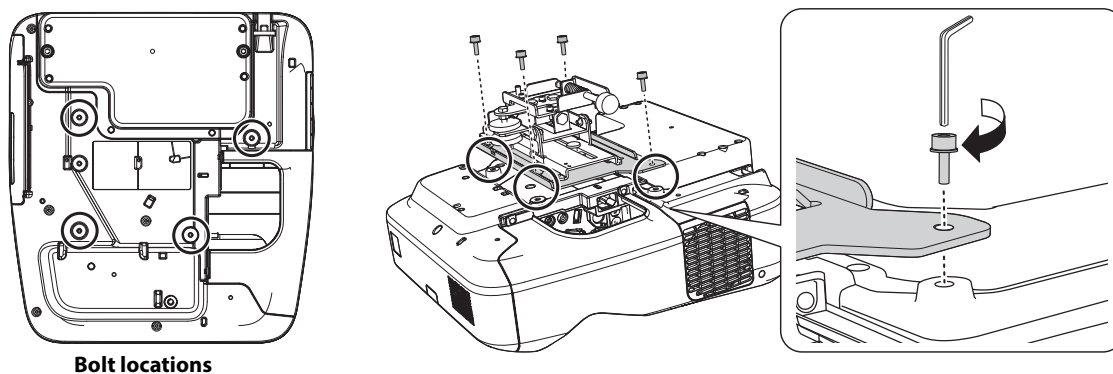


If the 3-axis adjustment unit is not aligned, loosen the M4 x 12 mm hexagon socket head cap bolt (①) and correct the alignment (②). Then, tighten the M4 x 12 mm hexagon socket head cap bolt.



3. Attach the 3-axis adjustment unit and slide plate to the projector.

Attach the 3-axis adjustment unit and slide plate to the projector using the M4 x 12 mm hexagon socket head cap bolts (x4) supplied.



2 Install the wall plate on the wall

1. Determine the template sheet position.

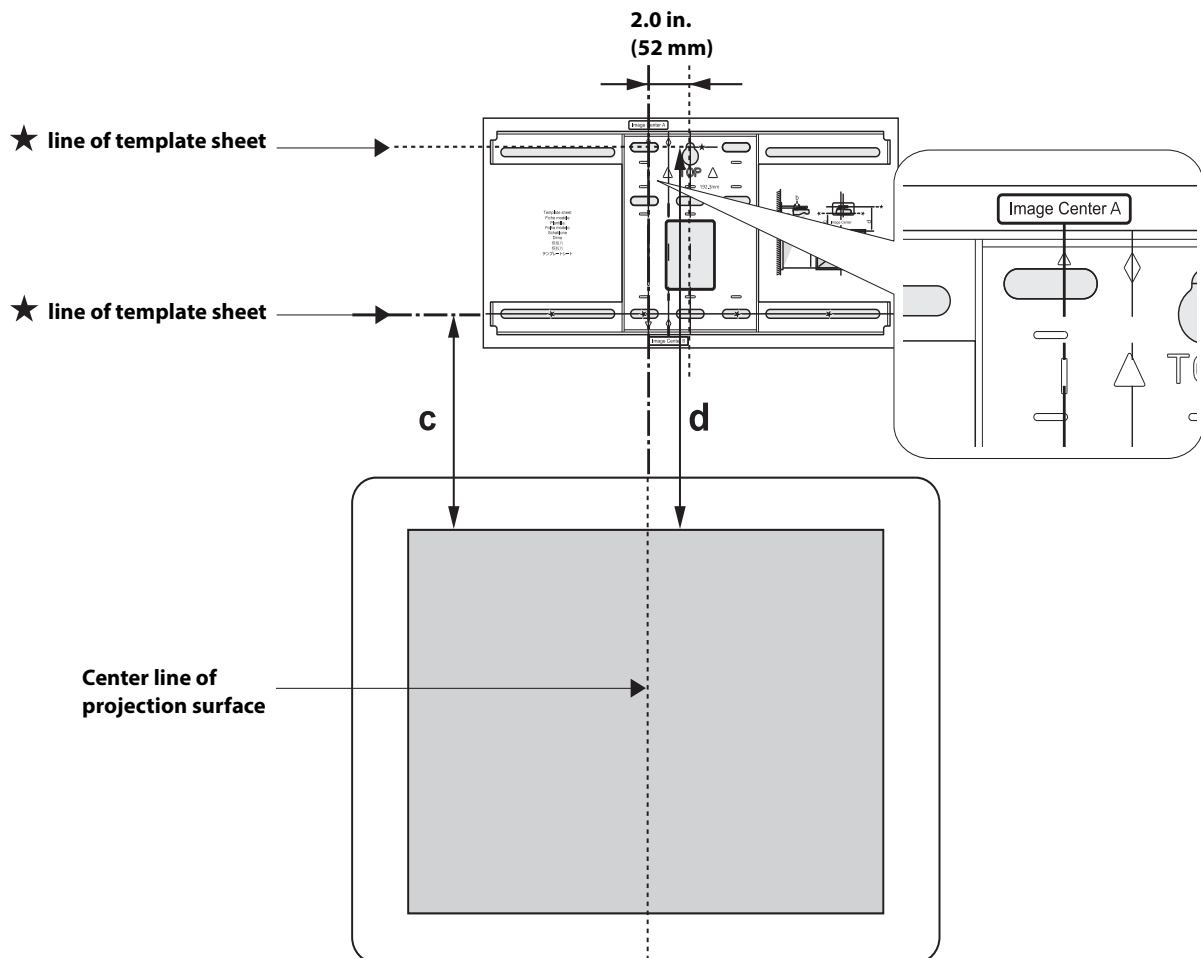
- From the projection distance table, confirm the screen size (S), the distance between the projection image and wall plate bottom holes (c), and the distance between the projection image and temporary wall plate hole (d).
- For the BrightLink 475Wi/480i/485Wi/575Wi/575Wi+/585Wi/585Wi+/595Wi/595Wi+/675Wi+/685Wi/685Wi+/695Wi/695Wi+, BrightLink Pro 1410Wi/1420Wi/1430Wi, and PowerLite 470/475W/480/485W/570/575W/580/585W/675W/680/685W, align the Image Center A line (vertical) of the template sheet with the center line (vertical) of the projection surface.

For the BrightLink 696Ui/697Ui and BrightLink Pro 1450Ui/1460Ui, align the Image Center B line (vertical) of the template sheet with the center line (vertical) of the projection surface.

Confirm where the beams or studs are within the wall, and shift the position of the template left or right as necessary.

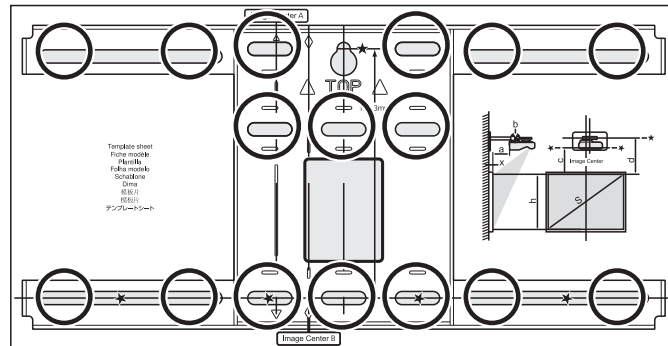
The position can be shifted horizontally left or right from the center line of the projection surface up to a maximum of 1.77 inches (45 mm.)

- Align the ★ lines (horizontal) on the template with the height of (c) and (d).



If you want to hide the projector power plug under the wall plate cover, make sure the power outlet is located in the empty space to the left or the right of the wall plate and is between 3.7 inches (93.5 mm) and 4.9 inches (123.5 mm) from the center of the wall plate (not the center of the projection surface). If the outlet is more than 4.9 inches (123.5 mm) from the center of the wall plate, the power plug will not fit under the cover.

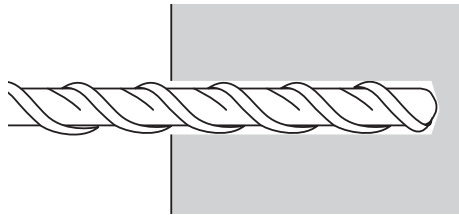
2. Attach the template sheet to the wall.
3. Drive an M10 screw (not included) into the temporary wall plate hole.
Leave at least 0.2 inch (6 mm) between the screw head and the wall.
4. Determine the position of the wall plate's mounting holes.
Use at least four mounting holes.



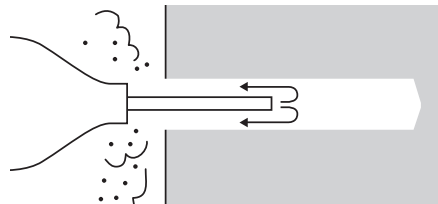
Steps 5 to 9 below provide instructions for attaching the wall plate to a concrete wall.

5. Drill holes of the following diameters and depths.

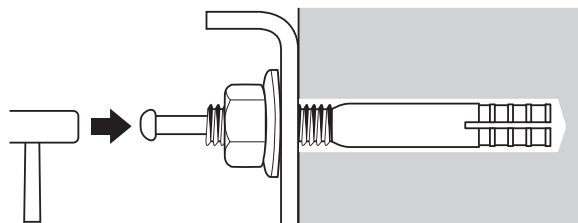
Drill diameter	0.41 in. (10.5 mm)
Pilot hole depth	1.8 in. (45 mm)
Anchor hole depth	1.6 in. (40 mm)



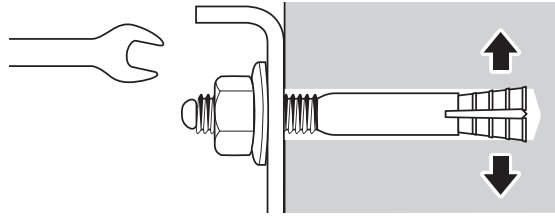
6. Remove the template sheet.
7. Use a device such as a dust pump to clean out concrete dust from the hole.



8. Position the wall plate on the wall and insert M10 × 60 mm expansion anchors into the holes. Attach the nut and tap it with a hammer until the core touches the top of the anchor.



9. Tighten the nut with a wrench to secure the wall plate to the wall.



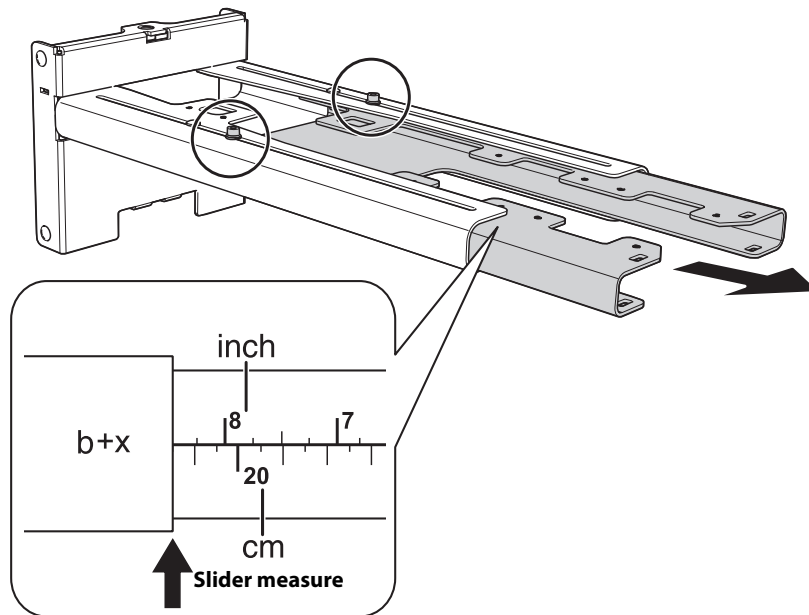
10. Remove the temporary wall plate screw.

3 Determine the projection distance and pull out the mount arm slider

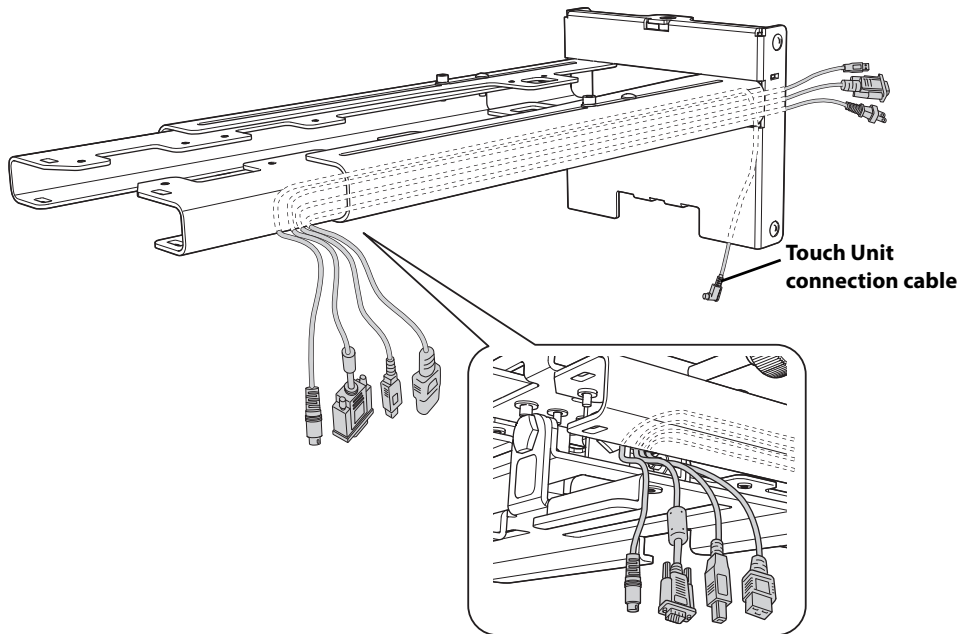
1. Using the tables on pages 19 to 24, check the number for the slider measure (b).
2. Loosen the M4 × 12 mm hexagon socket head cap bolts (×2), and then pull out the slider on the wall mount.

Align the slider with the measure (b+x) that is equal to the slider measure (b) plus the thickness of the projection screen (x).

For an illustration of how to measure the thickness of the projection screen (x), see page 17.



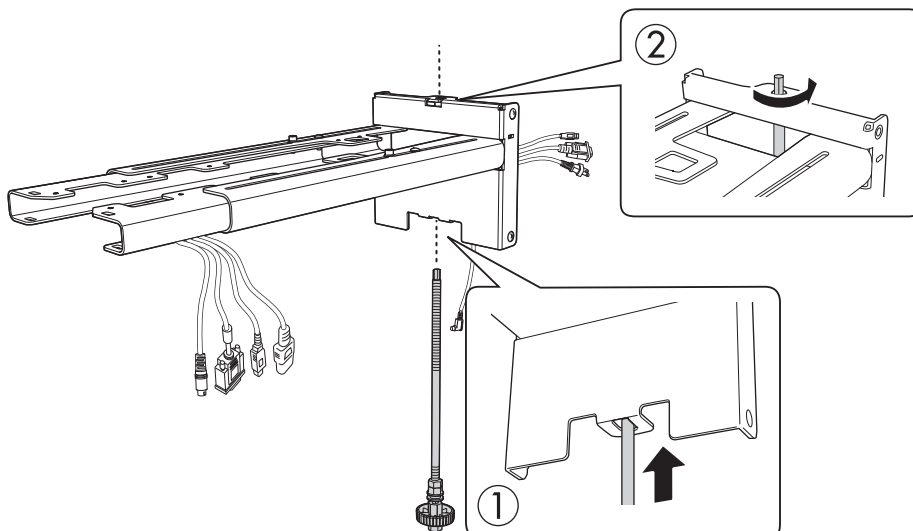
4 Route the cables through the wall mount arm



BrightLink 595Wi/695Wi/595Wi+/695Wi+/696Ui/697Ui and BrightLink Pro 1430Wi/1450Ui/1460Ui: Make sure to route the Touch Unit connection cable through the wall mount arm. Route the Touch Unit connection cable so that the end that connects to the Touch Unit appears from the lower part of the wall mount as shown above.

5 Attach the mount arm to the wall plate

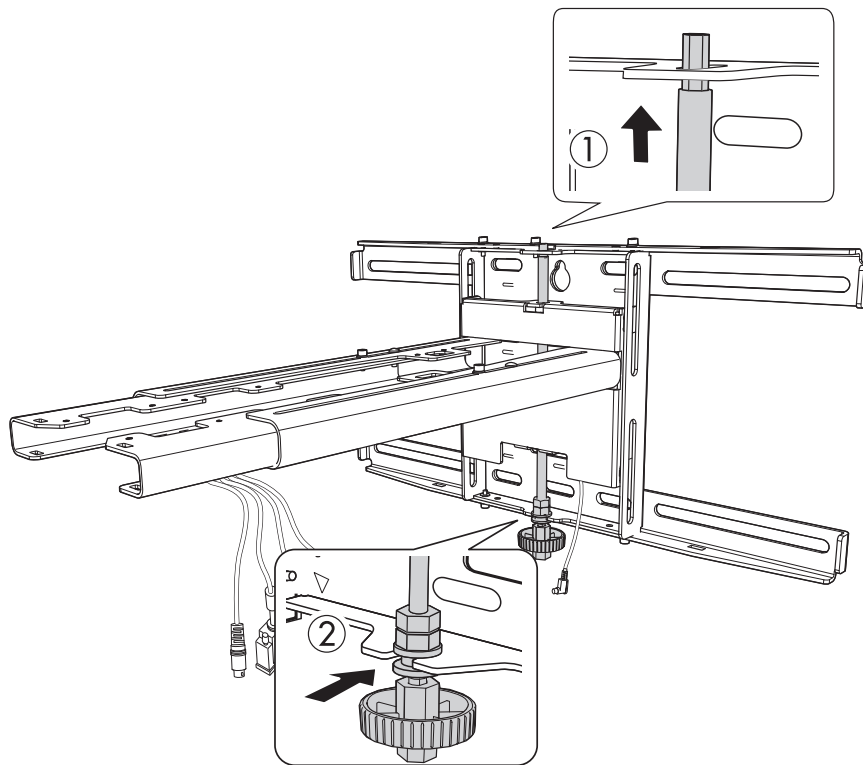
1. Insert the hexagonal shaft into the wall mount ((1)).
2. Insert and turn the hexagonal shaft at the top of the mount arm into the slot on the wall plate ((2)).



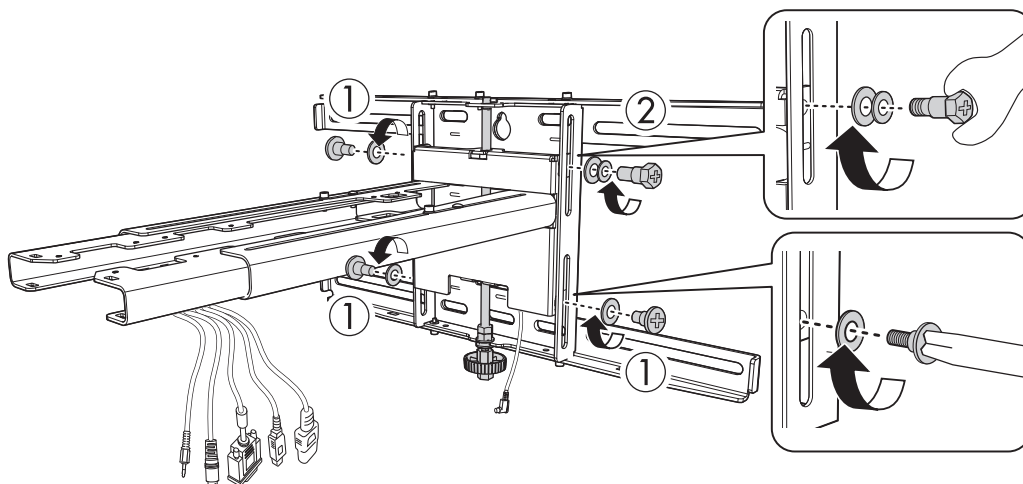
3. Insert the hexagonal shaft into the slot at the top of the wall plate (①).
4. Insert the hexagonal shaft into the slot at the bottom of the wall plate (②).

⚠ Caution

- ❑ **Make sure the Touch Unit connection cable is not wired into the wall with the other cables.**
- ❑ **Take care not to trap the cables between the mount arm and wall plate.**



5. Secure the mount arm to the wall plate by tightening the supplied M6 × 20 mm cross recessed head shoulder screws (×3) with the #3 cross-head screwdriver (①). Then, loosely tighten the M6 × 20 mm hexagon shoulder bolt supplied (②).

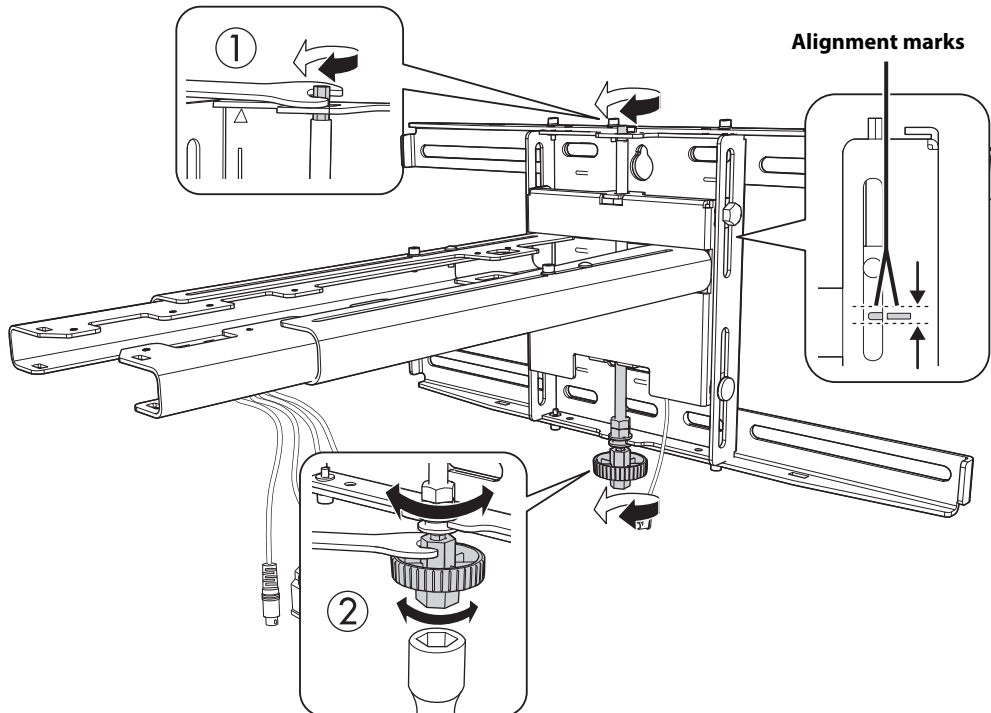


6 Adjust the vertical slide position of the arm

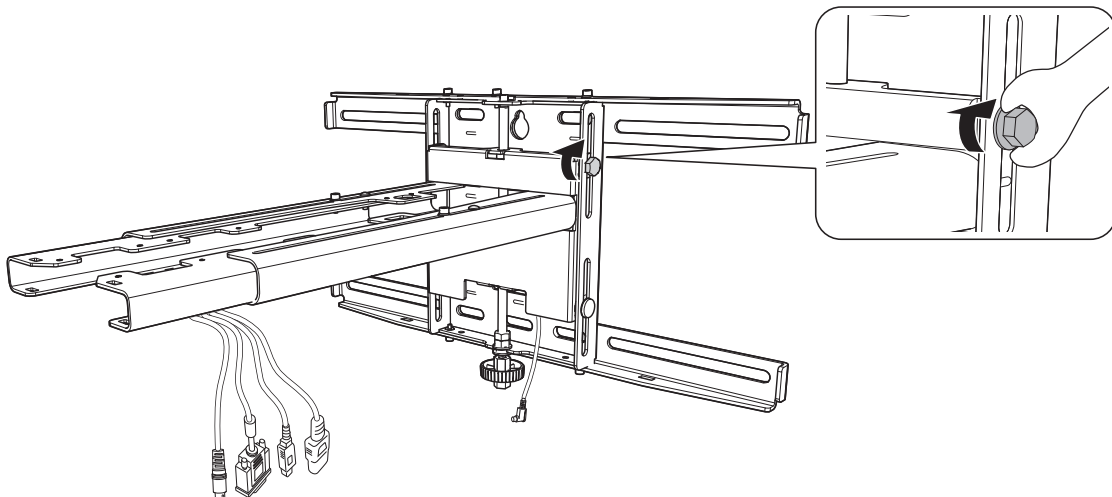
1. Adjust the vertical slide with the M8 hexagon bolt at the bottom of the wall mount (②), or the hexagonal shaft at the top of the wall mount (①). Start by aligning the notch on the arm with the alignment mark on the wall plate as shown below.

Tightening the M8 hexagon bolt lowers the wall mount, and loosening the bolt raises it (②).

Tightening the hexagonal shaft raises the wall mount, and loosening the shaft lowers it (①).

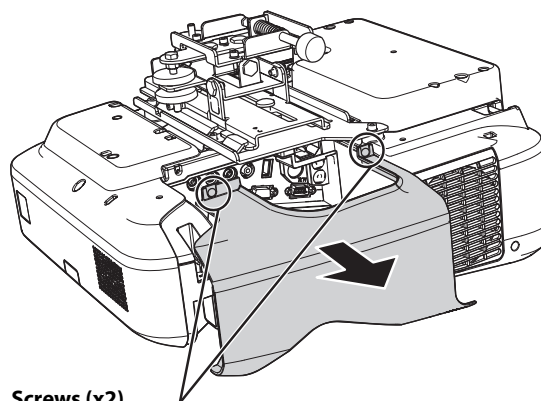


2. Tighten the M6 × 20 mm hexagon shoulder bolt to secure the wall mount.



7 Attach the projector to the wall mount

1. Loosen the two screws with a cross-head screwdriver and remove the cable cover from the projector.

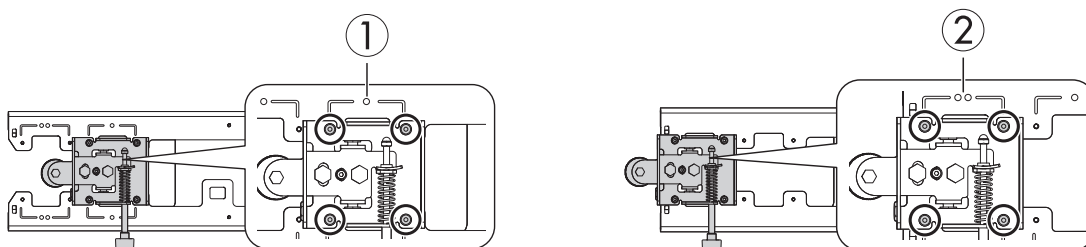


Screws (x2)

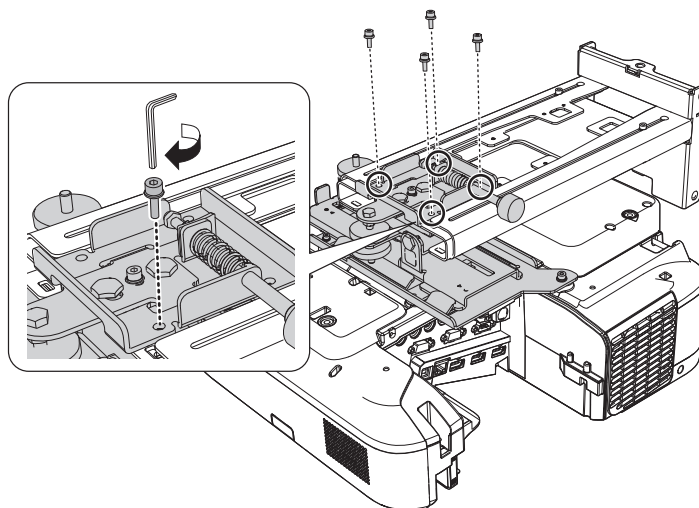
2. Attach the 3-axis adjustment unit to the wall mount arm.

- Decide which position you want to use for installing the 3-axis adjustment unit.

Mount it at the ○ stamp (1) when the image is less than 75 inches diagonally (85 inches for WUXGA images), or at the ○ ○ stamp (2) when the projected image is 75 inches or more diagonally (85 inches or more for WUXGA images).



- Tighten the M4 × 12 mm hexagon socket head cap bolts (x4) supplied to install the 3-axis adjustment unit.

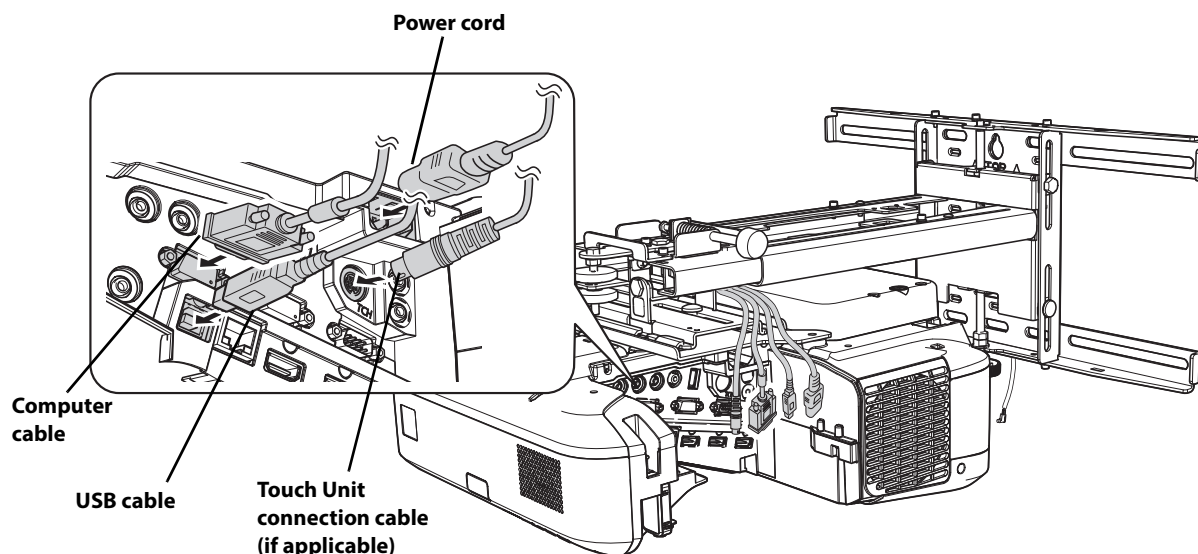


Warning

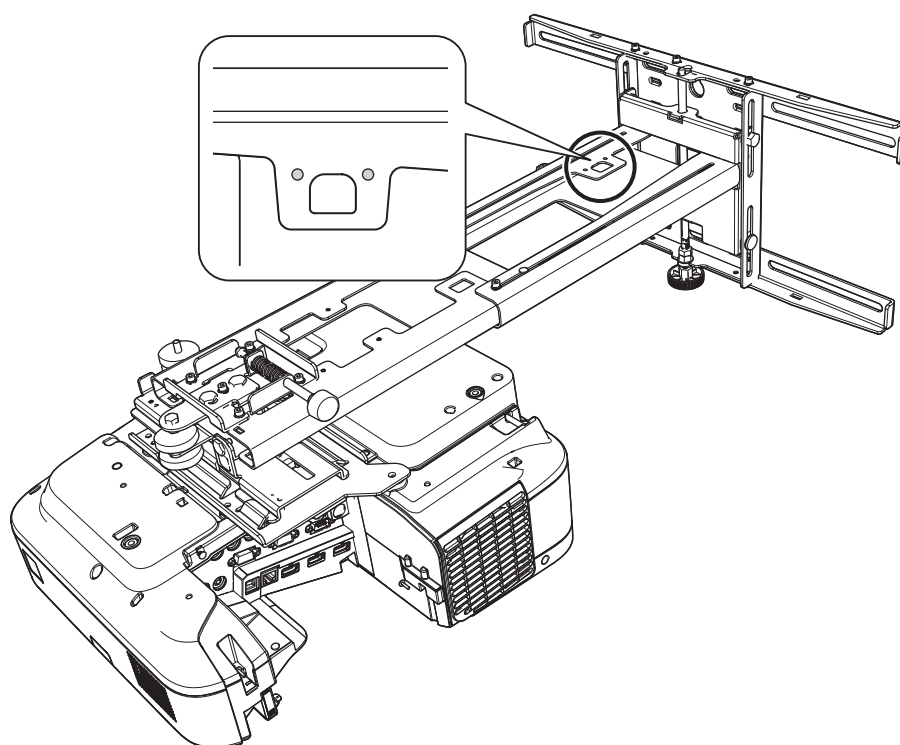
When installing or adjusting the wall mount, do not use adhesives to prevent the screws from loosening and do not use lubricants or oils on the projector slide plate. This may cause the case to crack and the projector to fall, resulting in personal injury or property damage.

8 Connect the power cord and other cables to the projector

Connect any necessary cables such as the computer cable, HDMI cable, USB cable, Touch Unit connection cable (if applicable), Control Pad cables (if applicable), and power cord to the projector. See your projector's *User Guide* for detailed connection information.



Use M4 screws (not included) to secure any additional devices or accessories, such as external tuners, to the mounting point on the wall mount.



If you are planning to run the cables inside the wall, make sure you follow all local electrical codes. If you are running the cables outside the wall, use a cable management system to keep the cables from obstructing the image. An optional cable management system is available from Epson (part number ELPCK01).

6 Adjusting the Image

To ensure the best image quality, follow the steps below to adjust the projected image.



Do not make adjustments with the Quick Corner or Keystone functions of the projector. Doing so may result in a reduction in image quality and pen or finger touch calibration.

Follow these guidelines for setting up the projector:

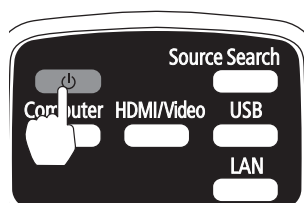
- Make sure the image is evenly rectangular, without distortion.
- Make sure the projector is tilted no more than 3° vertically and horizontally in relation to the projected image.



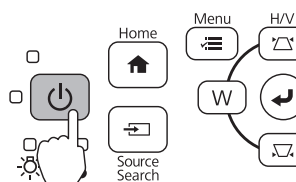
Your remote control or projector control panel may look different from the illustrations in this section, but the instructions are the same except where noted.

1 Turn on the projector

Remote Control



Control Panel



2 Change the aspect ratio if necessary

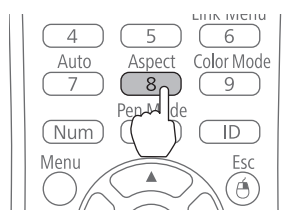
Each time you press the [Aspect] button on the remote control, the aspect name is displayed on the screen and the aspect ratio changes. You will need to re-display the test pattern after changing the aspect ratio.

Change the setting according to the signal for the connected equipment.

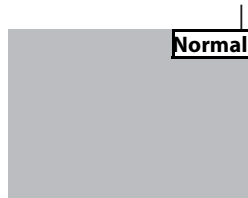


You will need to project content from a connected device in order to change the aspect ratio.

Remote Control



Aspect Ratio



Alternatively, set the aspect ratio from the Signal menu - Aspect. Following is a list of available aspect settings:

BrightLink 480i and PowerLite 470/480/570/580/680

- **Auto:** Automatically sets the aspect ratio according to the input signal and the **Resolution** setting (available only for HDMI image sources).

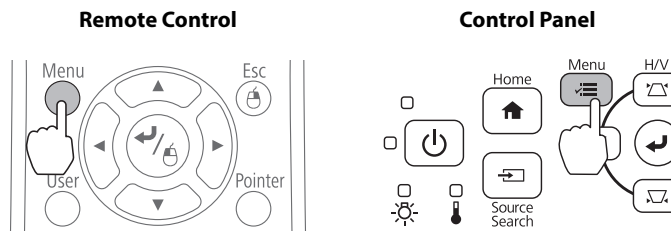
- **Normal:** Displays images using the full projection area and maintains the aspect ratio of the image. Choose this setting or **Auto** to automatically resize the image and make the best use of the display area.
- **4:3:** Displays images using the full projection area at 4:3 aspect ratio.
- **16:9:** Converts the aspect ratio of the image to 16:9. 4:3 ratio images are elongated horizontally to fit.

BrightLink Pro 1410Wi/1420Wi/1430Wi/1450Ui/1460Ui, BrightLink 475Wi/485Wi/575Wi/575Wi+/585Wi/585Wi+/595Wi/595Wi+/675Wi+/685Wi/685Wi+/695Wi/695Wi+/696Ui/697Ui, and PowerLite 475W/485W/575W/585W/675W/685W

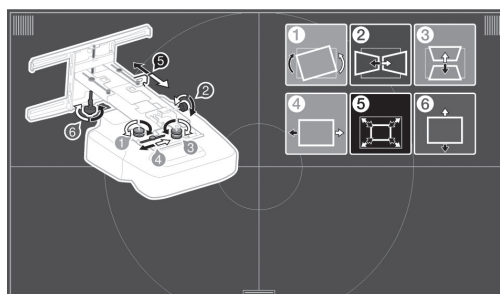
- **Auto:** Automatically sets the aspect ratio according to the input signal and the **Resolution** setting (available only for HDMI image sources).
- **Normal:** Displays images using the full projection area and maintains the aspect ratio of the image. Choose this setting or **Auto** to automatically resize the image and make the best use of the display area.
- **16:9:** Converts the aspect ratio of the image to 16:9. 4:3 ratio images are elongated horizontally to fit.
- **Full:** Displays images using the full width of the projection area, but does not retain the aspect ratio. 4:3 ratio images are elongated horizontally.
- **Zoom:** Displays images using the full width of the projection area and maintains the aspect ratio of the image. The image may be cut off on the top and bottom depending on its aspect ratio.
- **Native:** Displays images as is (aspect ratio and resolution are maintained). Black bands may appear or images may be cut off, depending on the resolution.



3 Display the test pattern

1. Press the [Menu] button on the remote control or control panel.



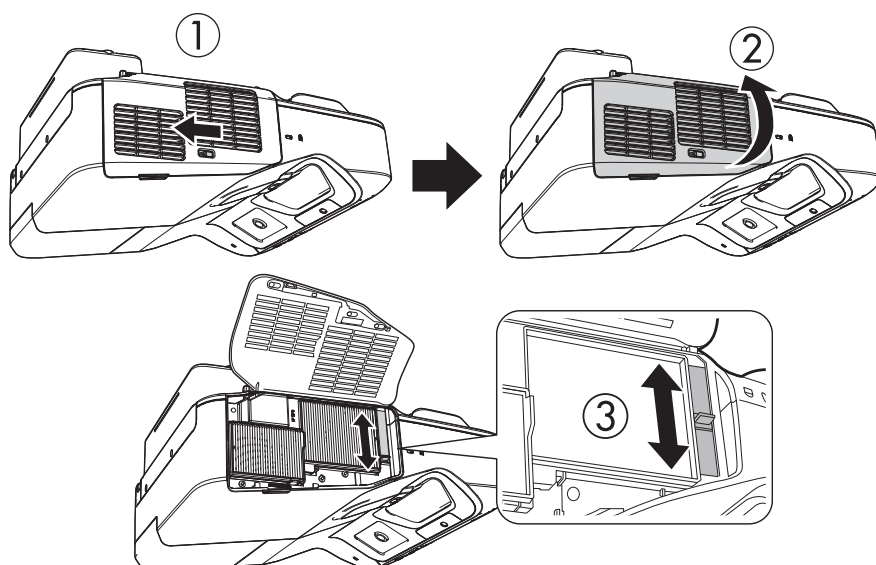
2. Select **Settings**.
3. Select **Installation Guide**.
4. Select the current aspect ratio.
The installation guide and test pattern are displayed. Use these to monitor the image as you make the adjustments in steps 5 to 10.



 To display the test pattern on the BrightLink 475Wi/480i/485Wi/575Wi/575Wi+/585Wi/585Wi+/595Wi/595Wi+, BrightLink Pro 1410Wi/1420Wi/1430Wi, and PowerLite 470/475W/480/485W/570/575W/580/585W, press the [Help] button on the remote control or control panel. Then, press the  button on the remote control or the [Wide] button on the control panel.

4 Adjust the focus

1. Slide the air filter cover switch (1) to open the air filter cover (2).
2. Use the focus lever to adjust the focus (3).



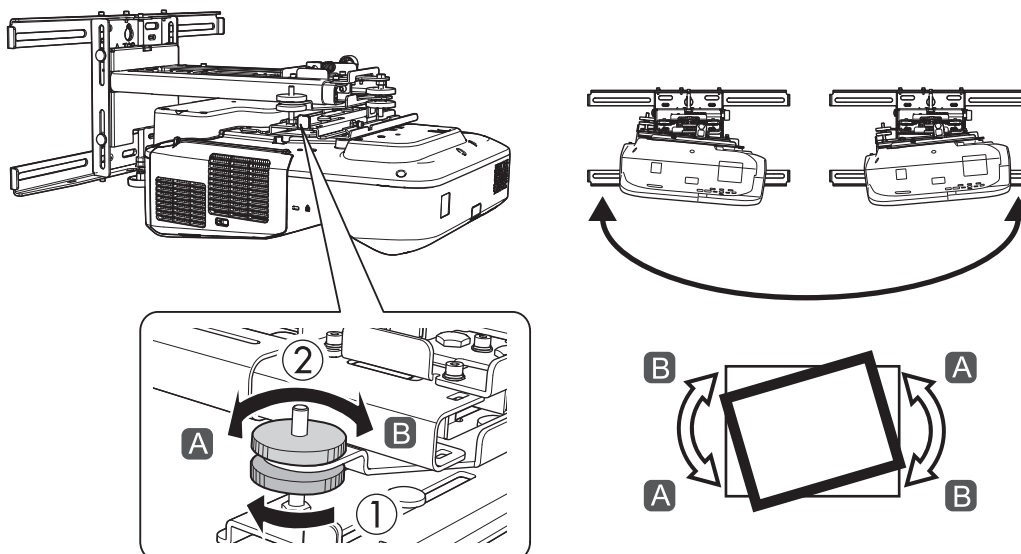
3. After you finish making the adjustment, close the air filter cover.

5 Use the adjustment dial on the left side to adjust the horizontal roll



Repeat steps 5 to 10 as necessary.

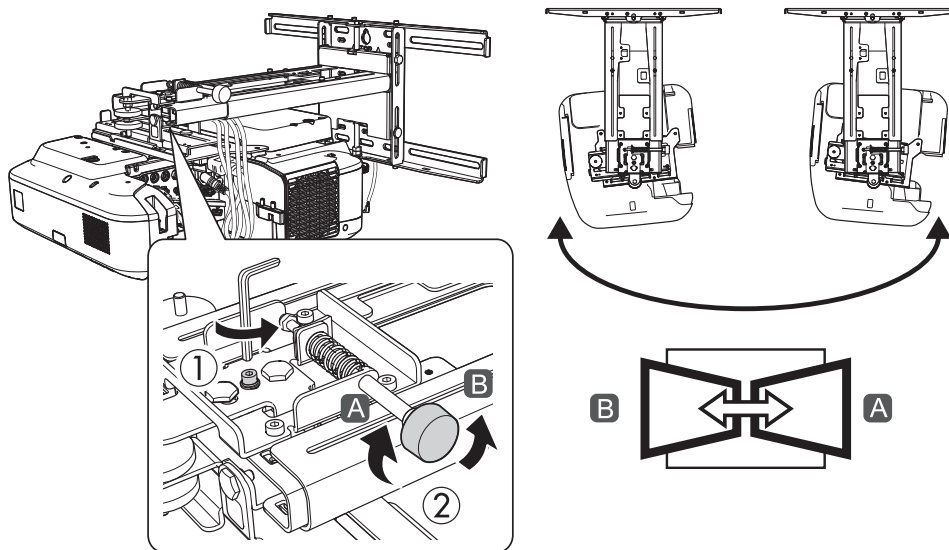
1. Loosen the lower adjustment dial (1).



2. Turn the upper adjustment dial to adjust the horizontal roll (2).
3. After you finish making all of the adjustments in steps 5 to 10, tighten the lower adjustment dial you loosened in 1.

6 Use the adjustment knob on the right side to adjust the horizontal rotation

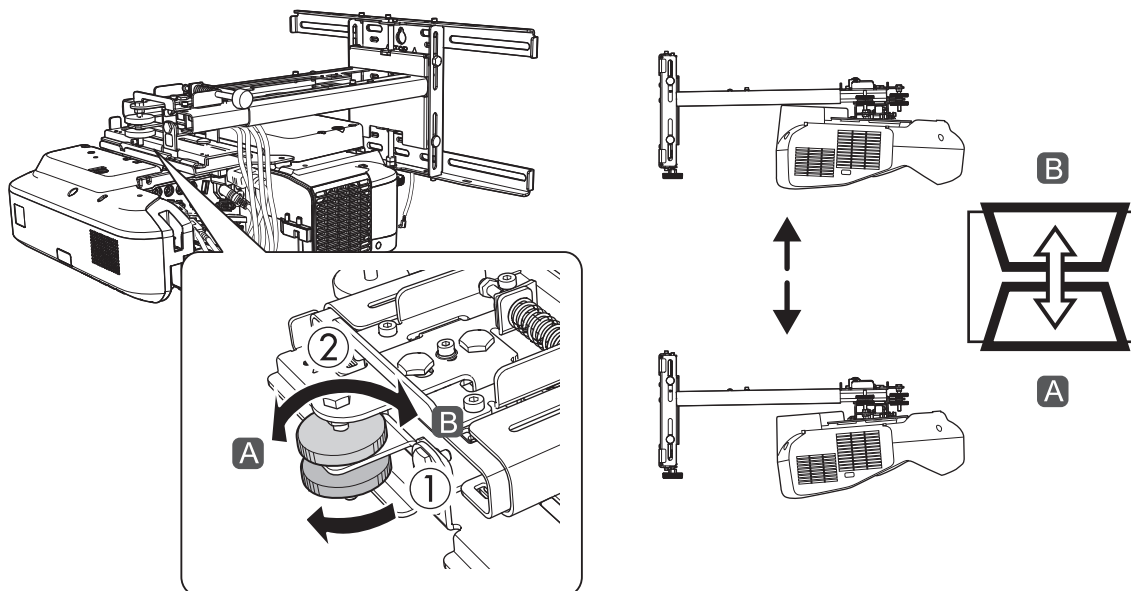
1. Loosen the screw to unlock the adjustment knob (1).



2. Turn the adjustment knob to adjust the horizontal rotation (2).
3. After you finish making all of the adjustments in steps (5) to (10), tighten the screw you loosened in (1).

7 Use the adjustment dial on the top to adjust the vertical tilt

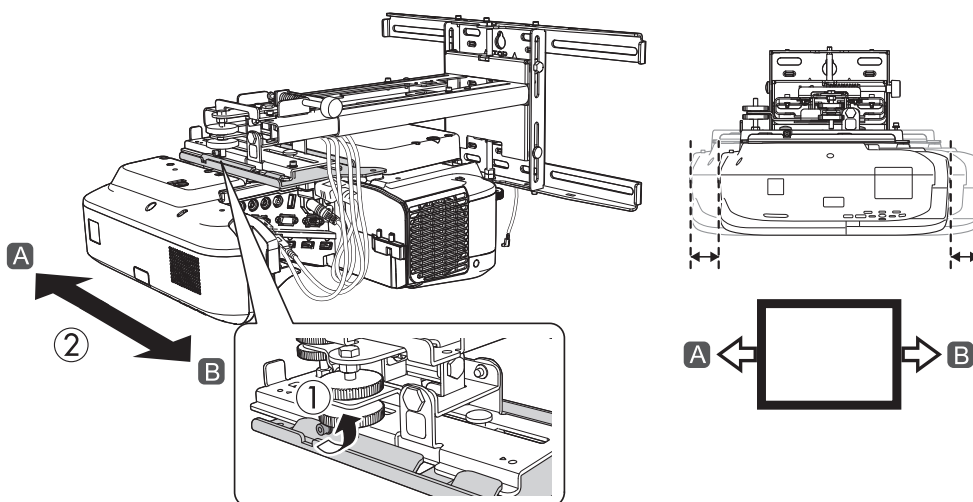
1. Loosen the lower adjustment dial (1).



2. Turn the upper adjustment dial to adjust the vertical tilt (2).
3. After you finish making all of the adjustments in steps (5) to (10), tighten the lower adjustment dial you loosened in (1).

8 Adjust the horizontal slide

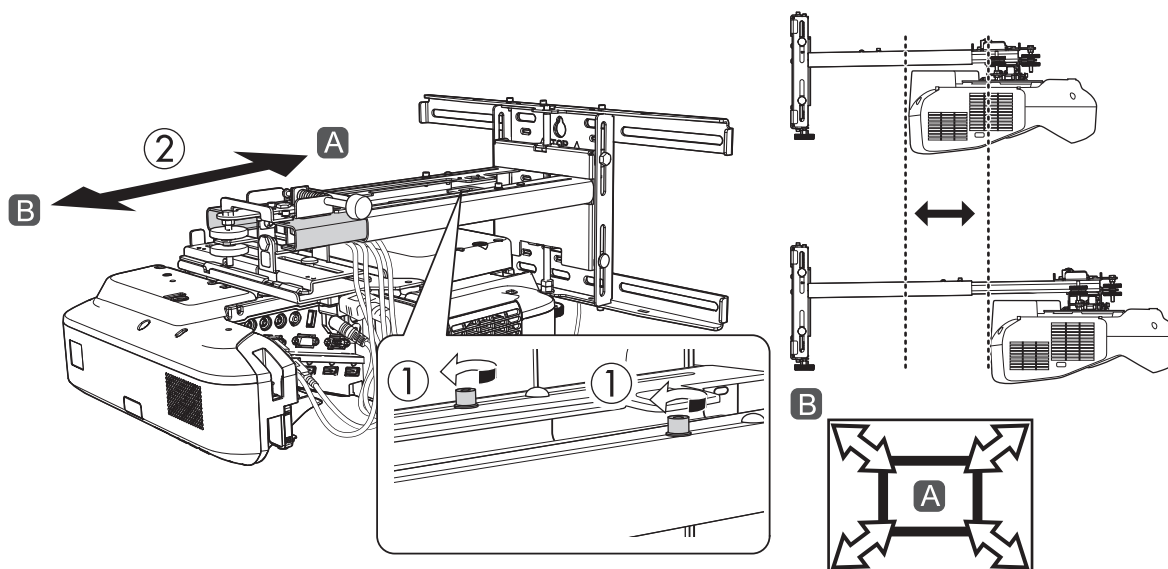
1. Loosen the M4 × 12 mm hexagon socket head cap bolt (1).
2. Adjust the slider for the slide plate (2).



3. After you finish making all of the adjustments in steps (5) to (10), tighten the M4 × 12 mm hexagon socket head cap bolt you loosened in (1).

9 Adjust the forward/backward slide

1. Loosen the M4 × 12 mm hexagon socket head cap bolts (x2) (1).
2. Adjust the slider for the wall mount (2).



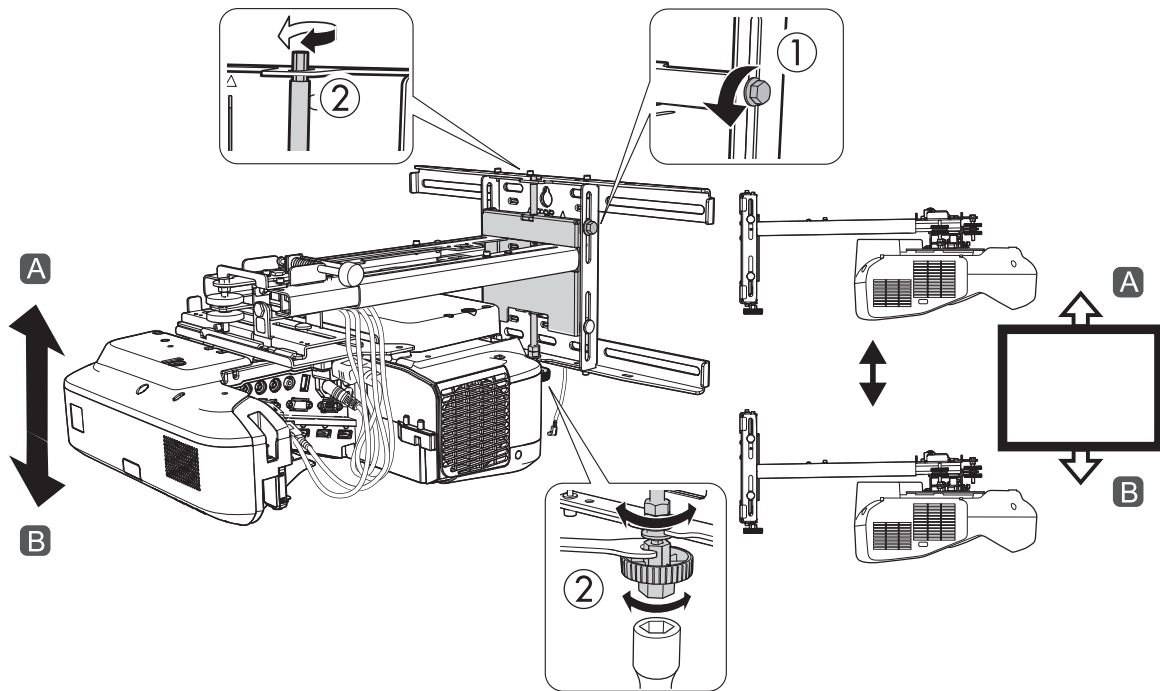
3. After you finish making all of the adjustments in steps (5) to (10), tighten the M4 × 12 mm hexagon socket head cap bolts (x2) you loosened in (1).

10 Adjust the vertical slide

1. Loosen the M6 × 20 mm hexagon shoulder bolt (①).
2. Adjust the vertical slide with the M8 hexagon bolt at the bottom of the wall mount, or the hexagonal shaft at the top of the wall mount (②).

Tightening the M8 hexagon bolt lowers the wall mount, and loosening the bolt raises it.

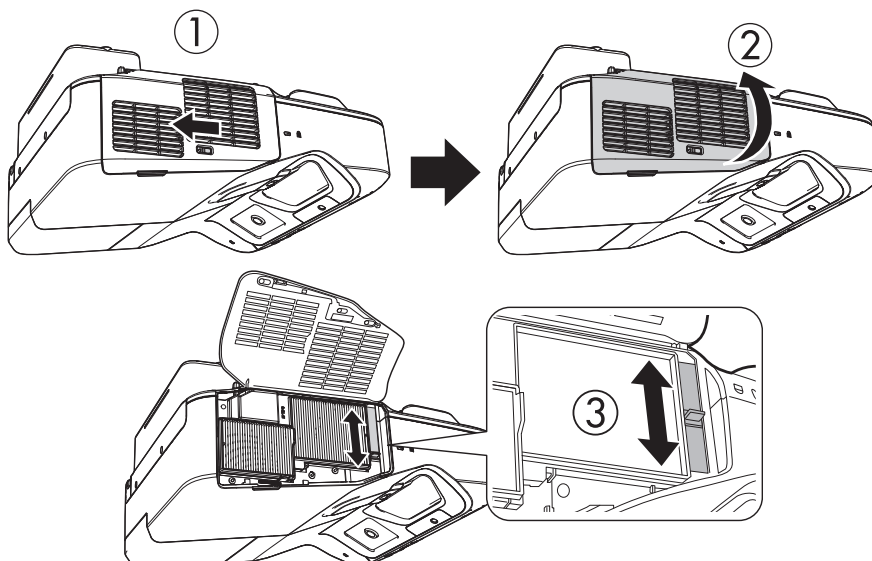
Tightening the hexagonal shaft raises the wall mount, and loosening the shaft lowers it.



3. After you finish making your adjustments, tighten the M6 × 20 mm hexagon shoulder bolt you loosened in ①.

11 Re-adjust the focus

1. Slide the air filter cover switch (①) to open the air filter cover (②).
2. Use the focus lever to adjust the focus (③).



3. After you finish making the adjustment, close the air filter cover.

Turn off the display of the test pattern

Press the [Esc] button on the remote control or control panel to turn off the test pattern.



Warning

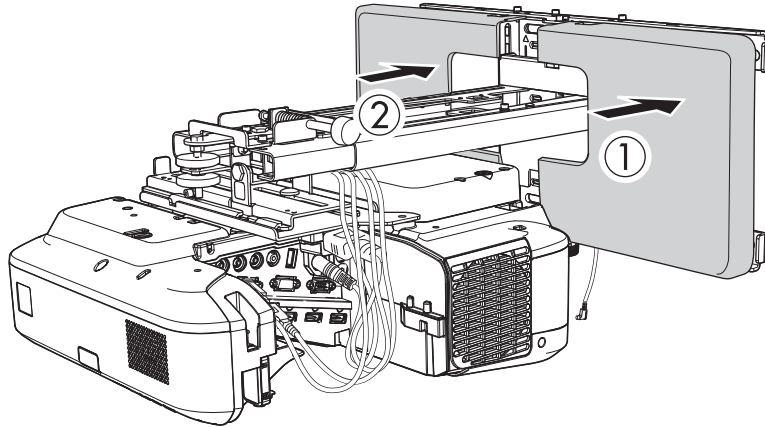
Tighten all screws firmly. Otherwise, the projector or wall mount may fall and cause personal injury or property damage.

7 Attaching the Covers

1 Attach the wall plate cover and end cap

If you need to use a security cable, make sure you attach it before installing the wall plate cover. See page 45 for instructions.

1. Attach the right wall plate cover ((1)) first, then attach the left wall plate cover ((2)). Snap the tabs on the cover into the holes on the wall plate. (If you need to remove the cover, press the tabs.)

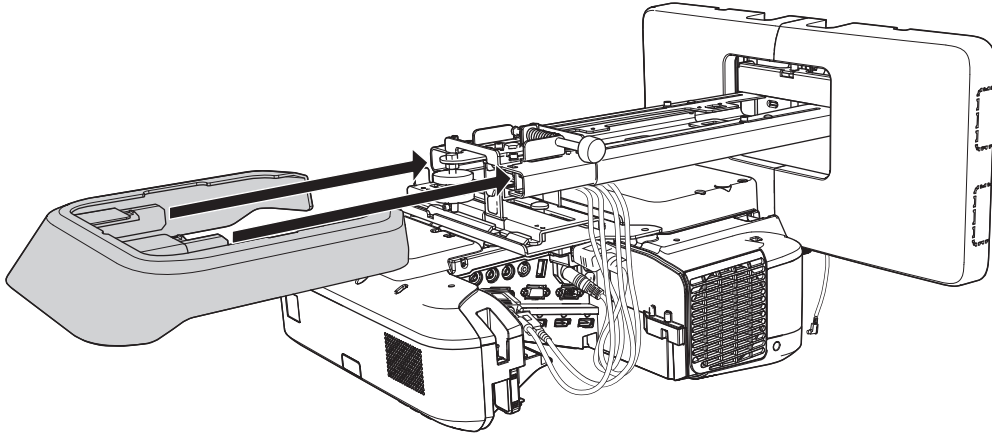


Depending on how the cables are wired, you may need to cut out parts of the wall plate cover to allow the cables to be passed through it.

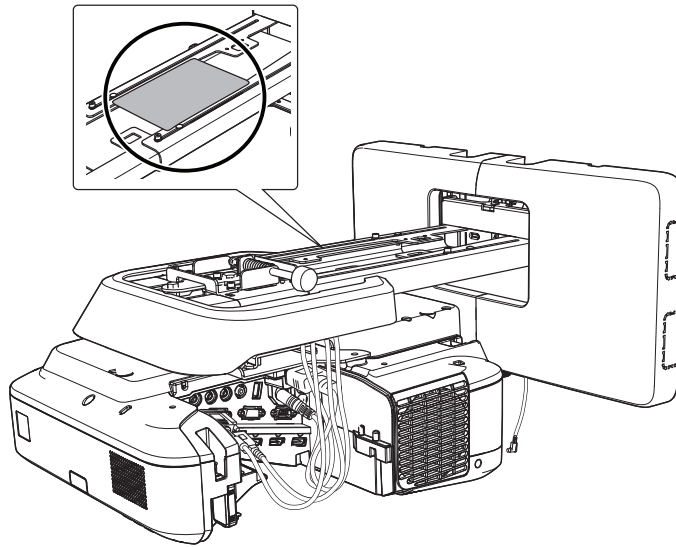
When cutting the thin section of the wall plate cover and passing the cables through, make sure you perform deburring to smooth off any sharp edges to prevent damaging the cables.

Also, make sure you operate the cutter safely.

2. Attach the end cap to the mount arm.

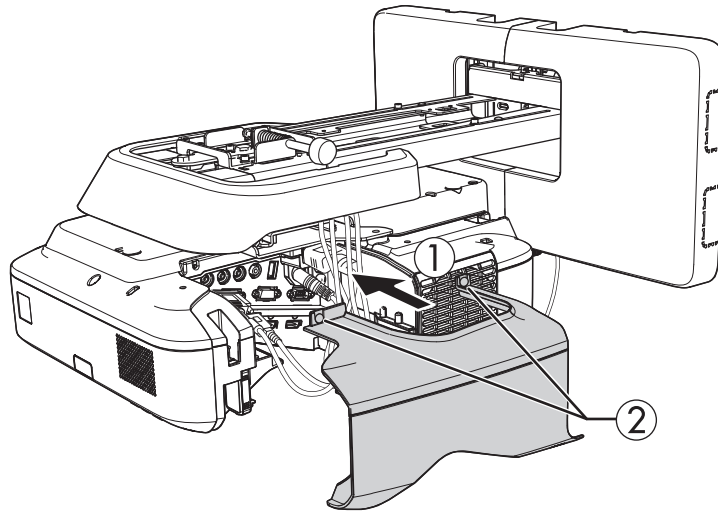


If you want to hide the gap in the mount arm, place the masking sticker over the gap.



② Attach the cable cover to the projector

Attach the cable cover (①) and use a cross-head screwdriver to tighten the screws (x2) and secure the cable cover (②).



⚠ Caution

Only a specialist should remove or reinstall the projector, including for maintenance and repairs. Refer to your projector's *User's Guide* for instructions on maintenance and repairs.

⚠ Warning

- ❑ Never loosen the bolts and nuts after installation. If you find any loose screws, tighten them firmly. Otherwise, the projector or wall mount may fall and cause personal injury or property damage.
- ❑ Do not hang on the wall mount or hang a heavy object on the wall mount. If the projector or wall mount falls, it could cause personal injury or property damage.

8 Appendix

Installing the Touch Unit and Control Pad

For details on installing the Touch Unit and Control Pad for your product (if applicable), see the documentation that came with your projector.

Using the Easy Interactive Function

After you install your BrightLink model (and the Touch Unit, if applicable), you need to perform calibration to align the positions of the cursor and your interactive pen(s) (and finger, if the Touch Unit is installed). See the projector's online *User's Guide* or *Start Here* folder for detailed instructions.

In order to use the Easy Interactive Tools software, you must first install the software on your computer. OS X users also need to install a driver that enables pen or finger touch interactivity to work. Both software programs are included with the BrightLink projector.

For details, see the online *User's Guide* or visit:

U.S.: www.epson.com/support/brightlinkdownloads

Canada: www.epson.ca/support/brightlinkdownloads

Latin America: www.epson.com.jm/support (website available only in Spanish)

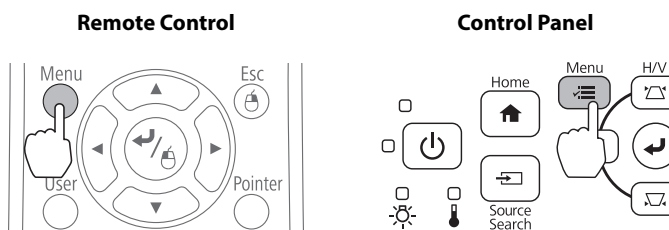
Correcting the Image Shape on a Curved Screen

If you are projecting on a curved screen, adjust the Arc Correction setting to correct the image shape.



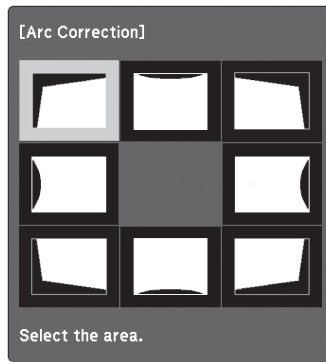
Touch unit installation requires a projection surface that is flat, smooth, and unwarped with no more than 0.2 inches (5 mm) of unevenness in any direction on the screen surface.

1. Press the [Menu] button on the remote control or control panel.

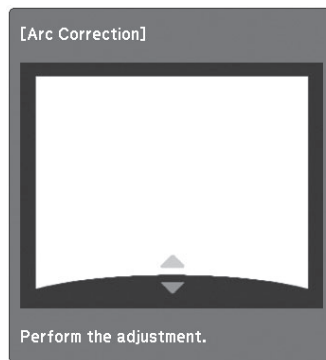


2. Select **Settings**.
3. Select **Geometric Correction**.
4. Select **Arc Correction**.
5. Select **Arc Correction**.

6. Select the area that you want to correct.



7. Use the arrow buttons on the remote control or control panel to change the shape of the selected area.



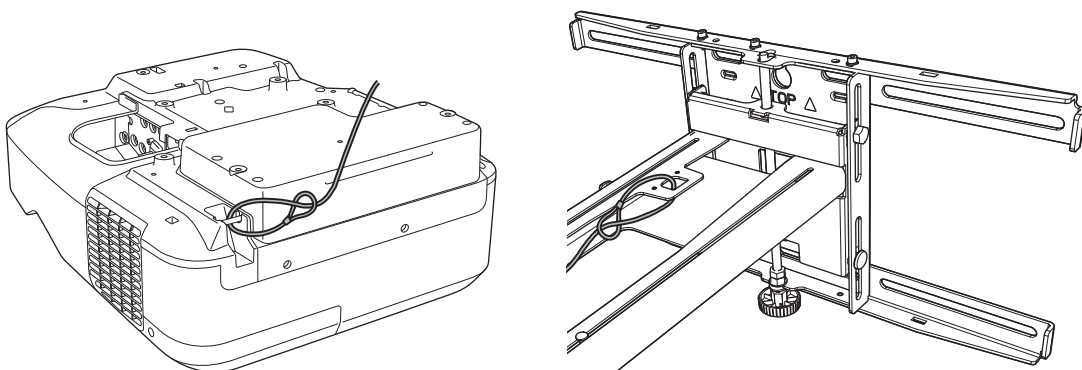
8. Repeat steps 6 and 7 to adjust any additional areas.

Attaching a Security Cable

If the projector is to be installed in a room where it will be left unattended, you can use a commercially available theft-prevention wire lock to secure the projector to a post or other object to prevent someone from taking it.

Pass the wire for the theft-prevention wire lock through the security cable installation point.

For details on how to lock the wire lock, refer to the *User's Guide* supplied with the wire lock.



Make sure you leave the remote control, batteries, CDs, interactive pen(s), pen batteries, pen tray, and battery charger in the room with the projector. If your projector came with a product-specific installation guide or an installation leave-behind list, use that list instead of this one. The accessories included with the projector vary by model and region.

Limited Warranty

Two-Year Limited Warranty

What Is Covered: Epson America, Inc. ("Epson") warrants to the original retail purchaser of the Epson product enclosed with this limited warranty statement that the product, if purchased new and operated in the United States, Canada, or Puerto Rico will be free from defects in workmanship and materials for a period of two years from the date of original purchase. For warranty service, you must provide proof of the date of original purchase.

What Epson Will Do To Correct Problems: If your product requires service during the limited warranty period, please call Epson at the number on the bottom of this statement and be prepared to provide the model, serial number (if applicable), and date of original purchase. If Epson confirms that warranty service is required, Epson will, at its option, repair or replace the defective unit, without charge for parts or labor. If Epson authorizes an exchange for the defective unit, Epson will ship a replacement product to you, freight prepaid, so long as you use an address in the United States, Canada, or Puerto Rico. You are responsible for securely packaging the defective unit and returning it to Epson within five working days of receipt of the replacement. Epson requires a debit or a credit card number to secure the cost of the replacement product in the event that you fail to return the defective one. If Epson authorizes repair instead of exchange, Epson will direct you to send your product to Epson or its authorized service center, where the product will be repaired and sent back to you. You are responsible for packing the product and for all postage or shipping costs to and from the Epson authorized service center. When warranty service involves the exchange of the product or of a part, the item replaced becomes Epson property. The exchanged product or part may be new or refurbished to the Epson standard of quality. If service cannot be provided on the product for any reason and Epson no longer sells the same model, Epson will replace your product with a model of equal or superior value. Replacement products or parts assume the remaining warranty period of the original product.

What This Warranty Does Not Cover: This warranty covers only normal use in the United States, Canada, or Puerto Rico. This warranty does not cover the following:

- Excessive continual use
- Consumables
- Installation or removal
- Cosmetic damage caused by handling or normal wear and tear during usage
- Damage caused by failure to properly maintain the product (see your online *User's Guide* for details)
- Damage caused by interaction with non-Epson products
- Any problem resulting from misuse, abuse, improper installation, neglect, improper shipping, disasters such as fire, flood, and lightning, improper electrical current, software problems, exposure to chemical smoke, or excessive humidity

Any problem resulting from service by other than Epson or an Epson Authorized Servicer

Epson is not responsible for warranty service should the Epson label or logo or the rating label or serial number be removed. This warranty is not transferrable. Epson is not responsible for your data or applications, which cannot be restored and should be backed up by you. Postage, insurance, or shipping costs incurred in presenting your Epson product for carry-in warranty service are your responsibility. If a claimed defect cannot be identified or reproduced in service, you will be held responsible for costs incurred.

DISCLAIMER OF OTHER WARRANTIES: THE WARRANTY AND REMEDY PROVIDED ABOVE ARE EXCLUSIVE AND IN LIEU OF ALL OTHER EXPRESS OR IMPLIED WARRANTIES INCLUDING, BUT NOT LIMITED TO, THE IMPLIED WARRANTIES OF MERCHANTABILITY, NONINFRINGEMENT OR FITNESS FOR A PARTICULAR PURPOSE. SOME LAWS DO NOT ALLOW THE EXCLUSION OF IMPLIED WARRANTIES. IF THESE LAWS APPLY, THEN ALL EXPRESS AND IMPLIED WARRANTIES ARE LIMITED TO THE WARRANTY PERIOD IDENTIFIED ABOVE. UNLESS STATED HEREIN, ANY STATEMENTS OR REPRESENTATIONS MADE BY ANY OTHER PERSON OR FIRM ARE VOID.

EXCLUSION OF DAMAGES; EPSON'S MAXIMUM LIABILITY: IN NO EVENT SHALL EPSON OR ITS AFFILIATES BE LIABLE FOR ANY SPECIAL, INCIDENTAL, OR CONSEQUENTIAL DAMAGES OR ANY LOST PROFITS RESULTING FROM THE USE OR INABILITY TO USE THE EPSON PRODUCT, WHETHER RESULTING FROM BREACH OF WARRANTY OR ANY OTHER LEGAL THEORY. IN NO EVENT SHALL EPSON OR ITS AFFILIATES BE LIABLE FOR DAMAGES OF ANY KIND IN EXCESS OF THE ORIGINAL RETAIL PURCHASE PRICE OF THE PRODUCT.

Arbitration, Governing Laws: Any dispute, claim or controversy arising out of or relating to this warranty shall be determined by arbitration in Los Angeles County, California before a single arbitrator. The arbitration shall be administered by JAMS pursuant to its Comprehensive Arbitration Rules and Procedures. Judgment on the

award may be entered in any court having jurisdiction. Any action must be brought within three months of the expiration of the warranty. This clause shall not preclude parties from seeking provisional remedies in aid of arbitration from a court of appropriate jurisdiction. This warranty shall be construed in accordance with the laws of the State of California, except this arbitration clause which shall be construed in accordance with the Federal Arbitration Act.

Other Rights You May Have: This warranty gives you specific legal rights, and you may also have other rights which vary from jurisdiction to jurisdiction. Some jurisdictions do not allow limitations on how long an implied warranty lasts, or allow the exclusion or limitation of incidental or consequential damages, so the above limitations or exclusions may not apply to you.

In Canada, warranties include both warranties and conditions.

To find the Epson Authorized Reseller nearest you, please visit www.epson.com (U.S.) or www.epson.ca (Canada).

To find the Epson Customer Care Center nearest you, please visit www.epson.com/support (U.S.) or www.epson.ca/support (Canada).

To contact the Epson ConnectionSM, please call (562) 276-4394 in the U.S. and (905) 709-3839 in Canada or write to Epson America, Inc., P.O. Box 93012, Long Beach, CA 90809-3012.

À propos de ce guide d'installation

Le présent guide décrit comment installer sur un mur les projecteurs à ultra-courte distance de projection listés ci-dessous à l'aide du support de montage Epson® ELPMB46 inclus.

Ce guide fournit les explications pour les projecteurs suivants :

- BrightLink® 475Wi/480i/485Wi/575Wi/575Wi+/585Wi/585Wi+/595Wi/595Wi+/675Wi+/685Wi/685Wi+/695Wi/695Wi+/696Ui/697Ui
- BrightLink Pro 1410Wi/1420Wi/1430Wi/1450Ui/1460Ui
- PowerLite® 470/475W/480/485W/570/575W/580/585W/675W/680/685W






Consignes de sécurité

Pour votre sécurité, veuillez lire toutes les consignes contenues dans ce guide avant d'utiliser le support de montage. Une manipulation incorrecte ne respectant pas ces consignes pourrait endommager le support de montage ou provoquer des blessures corporelles ou des dommages matériels. Conservez ce guide d'installation à portée de main pour pouvoir vous y reporter ultérieurement.




Lisez les consignes de sécurité dans le *Guide de l'utilisateur* de votre projecteur et suivez les instructions figurant dans ce document.

Explication des symboles

Les symboles d'avertissement ci-dessous sont utilisés dans ce guide d'installation afin de prévenir les blessures et les dommages matériels. Assurez-vous que vous comprenez bien la signification de ces avertissements avant de lire ce guide.

 Avertissement	Ce symbole signale des informations qui, si elles sont ignorées, peuvent provoquer des blessures, voire la mort, en raison d'une manipulation incorrecte.
 Mise en garde	Ce symbole indique des informations qui, si elles sont ignorées, peuvent provoquer des blessures ou des dommages physiques, en raison d'une manipulation incorrecte.
	Ce symbole signale des informations connexes ou utiles.
	Symbole indiquant une action à ne pas faire
	Symbole indiquant une action à faire

Consignes de sécurité pour l'installation

 Avertissement	
Le support de montage est conçu exclusivement pour fixer un projecteur à un mur. Le poids de tout équipement autre qu'un projecteur peut endommager le support. La chute du support de montage peut provoquer des blessures corporelles ou des dommages matériels.	
Les travaux d'installation (fixation murale) doivent être effectués par des spécialistes disposant des compétences techniques et du savoir-faire appropriés. Une installation incomplète ou incorrecte peut entraîner la chute du support de montage et provoquer des blessures corporelles ou des dommages matériels.	

Avertissement

Manipulez le cordon d'alimentation avec précaution.

Une manipulation incorrecte peut provoquer un incendie ou une électrocution. Prenez les précautions suivantes en le manipulant :

- Ne saisissez pas la fiche secteur avec des mains humides.
- N'utilisez pas un cordon d'alimentation endommagé ou modifié.
- Ne tirez pas exagérément sur le cordon lorsque vous le faites passer à travers le support de montage.



N'installez pas le support de montage à un endroit où il peut être soumis à des vibrations ou des chocs.

Des vibrations ou des chocs pourraient endommager le projecteur ou la surface de montage. Vous risqueriez également de provoquer la chute du support de montage ou du projecteur et donc provoquer des blessures corporelles ou des dommages matériels.



L'installation doit être exécutée par au moins deux techniciens qualifiés. Si vous devez desserrer des vis pendant l'installation, veillez à ne pas provoquer la chute du support de montage.

La chute du support de montage ou du projecteur peut provoquer des blessures corporelles ou des dommages matériels.



Installez le support de montage de sorte qu'il puisse supporter son poids ainsi que celui du projecteur et résister à toute vibration horizontale. Utilisez des écrous et des boulons M10 et assurez-vous d'utiliser des ancrages muraux appropriés pour votre type de mur.

Si vous utilisez des écrous et des boulons de taille inférieure à M10, le support de montage risque de tomber. Epson n'accepte aucune responsabilité pour tout dommage ou toute blessure dus à une solidité du mur insuffisante ou une installation inappropriée.



La fixation du projecteur sur un mur à l'aide du support de montage doit être effectuée sur un mur suffisamment solide pour maintenir le projecteur, le support de montage, ainsi que le boîtier de commande et l'unité tactile, s'il y a lieu.

Le support de montage doit être installé sur un mur en béton. Vérifiez le poids total du projecteur, du support de montage, du boîtier de commande et de l'unité tactile avant l'installation et assurez-vous que le mur est assez solide. Si la solidité du mur est insuffisante, renforcez le mur avant de procéder à l'installation.



Inspectez régulièrement le support de montage pour vérifier qu'aucune pièce n'est endommagée et qu'aucune vis n'est desserrée.

Si des pièces sont endommagées, cessez immédiatement d'utiliser le support de montage. La chute du support de montage ou du projecteur peut provoquer des blessures corporelles ou des dommages matériels.



Ne modifiez jamais le support de montage.



Ne suspendez aucun objet au support de montage ni ne posez d'objet lourd sur celui-ci.

La chute du support de montage ou du projecteur peut provoquer des blessures corporelles ou des dommages matériels.



N'utilisez pas d'adhésifs, ni d'huiles ou de lubrifiants pour installer ou régler le support de montage.

Si vous utilisez des adhésifs pour empêcher les vis de se desserrer ou si vous utilisez des lubrifiants ou des huiles sur la partie du projecteur fixée à la plaque coulissante, le boîtier risque de se détériorer, et risque de provoquer la chute du projecteur et des blessures corporelles ou des dommages matériels.



Serrez fermement toutes les vis après tout réglage.

Sinon, le support de montage ou le projecteur pourrait tomber et provoquer des blessures corporelles ou des dommages matériels.



Ne desserrez jamais les écrous et les boulons après l'installation.





Vérifiez régulièrement que les vis ne se sont pas desserrées. Si vous constatez le moindre jeu, resserrez fermement les vis concernées. Sinon, le support de montage ou le projecteur pourrait tomber et provoquer des blessures corporelles ou des dommages matériels.



Lorsque vous effectuez le câblage, assurez-vous que les câbles n'entrent pas en contact avec les vis ou les écrous.

La manipulation incorrecte des câbles peut provoquer un incendie ou un choc électrique.



 Mise en garde	
N'installez pas le support de montage dans un endroit qui excède la plage de température de fonctionnement du modèle de projecteur. Un tel environnement peut endommager le projecteur.	
Installez le support de montage dans un endroit à l'abri de la poussière et de l'humidité pour que l'objectif et les éléments optiques internes ne se salissent pas.	
Ne forcez pas de manière excessive lorsque vous réglez le support de montage. Sinon, le support de montage risque de se briser et de provoquer des blessures corporelles.	

Emplacement pour l'installation

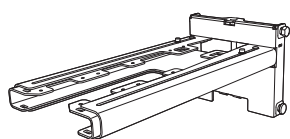
- Avant d'installer le projecteur, vérifiez le câblage de l'alimentation électrique de l'emplacement d'installation.
- Éloignez le projecteur des autres appareils électriques, notamment des éclairages fluorescents ou des climatiseurs. Certains types d'éclairages fluorescents risquent d'interférer avec la télécommande du projecteur.
- Assurez-vous que le projecteur n'est pas directement exposé à la lumière du soleil ou d'autres sources de lumière vive.
- Nous vous recommandons d'utiliser un câble d'ordinateur VGA d'une longueur inférieure à 20 mètres (65 pieds) afin de réduire l'effet de parasites.
- Installez le projecteur à l'horizontale ou à la verticale à un angle de 3° ou moins par rapport à la surface de projection.
- Installez le projecteur dans un emplacement où l'image projetée est à votre portée.
- Le projecteur doit être installé dans l'un des emplacements suivants afin que l'unité tactile puisse fonctionner correctement (s'il y a lieu) :
 - Monté à un mur ou suspendu au plafond avec la projection d'images depuis l'avant de l'écran.
 - Monté verticalement sur une table avec la projection d'images depuis le devant de la table. Si vous utilisez cette méthode d'installation, vous aurez besoin du support pour table interactive en option (ELPMB29).
- Lorsque le boîtier de commande est alimenté par des piles (s'il y a lieu), suivez les directives suivantes lors de l'installation :
 - Installez le boîtier de commande sur la même surface que l'écran de projection. Si l'écran de projection et le point d'installation du boîtier de commande ne sont pas au même niveau, installez le boîtier de commande à environ 20 cm (8 po) du bord de l'écran.
 - Assurez-vous qu'il n'y a aucun objet bloquant le signal entre le boîtier de commande et le projecteur (à l'exception de l'unité tactile).
- Utilisez l'ensemble de câbles de la télécommande optionnel (modèle ELPKC28, numéro de pièce V12H005C28) pour alimenter le boîtier de commande lors des situations suivantes :
 - Les directives mentionnées ci-dessus ne peuvent pas être suivies.
 - L'écran de projection et le point d'installation du boîtier de commande ne sont pas au même niveau et la différence de hauteur est de plus de 5 cm (2 po).
 - Le projecteur est placé sur une table et il projette vers l'écran.
 - Plusieurs projecteurs sont utilisés.

1	Contenu de l'emballage	55
2	Caractéristiques	56
3	Connexion des appareils	59
4	Positionnement du projecteur	60
	Feuille de travail d'installation pour la projection sur un tableau mural préinstallé	62
	Feuille de travail d'installation pour la projection sur un mur ordinaire	63
	Feuilles de travail pour la distance de projection	64
	Taille de l'image diagonale et position de montage	65
	Distance entre la surface de projection et la plaque murale	66
	Tableaux des mesures d'installation	66
	Mesures en pouces pour les projecteurs WXGA avec une résolution native	67
	Mesures en pouces pour les projecteurs XGA avec une résolution native	68
	Mesures en pouces pour les projecteurs WUXGA avec une résolution native	69
	Mesures en cm pour les projecteurs WXGA avec une résolution native	70
	Mesures en cm pour les projecteurs XGA avec une résolution native	71
	Mesures en cm pour les projecteurs WUXGA avec une résolution native	72
5	Installation du projecteur	73
	Assemblez les pièces	73
	Installez la plaque murale sur le mur	75
	Déterminez la distance de projection et retirez la glissière du bras de montage.	77
	Faites passer les câbles dans le bras du support de montage	78
	Fixez le bras du support de montage à la plaque murale	78
	Réglez la position du coulissement vertical du bras	80
	Fixez le projecteur au support de montage	81
	Connectez le cordon d'alimentation et les autres câbles au projecteur	82

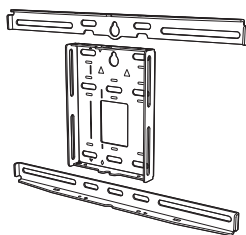
6	Réglage de l'image	83
	Mettez le projecteur sous tension	83
	Changez le rapport hauteur/largeur (au besoin)	83
	Affichez la mire	84
	Réglez la mise au point	85
	Utilisez le cadran d'ajustement sur le côté gauche pour régler le roulis horizontal.	86
	Utilisez la poignée de réglage sur le côté droit pour régler la rotation horizontale	86
	Utilisez le cadran d'ajustement dans le haut pour régler l'inclinaison verticale	87
	Réglez le coulissement horizontal	87
	Réglez le coulissement vers l'avant/l'arrière	88
	Réglez le coulissement vertical	88
	Réajustez la mise au point	89
	Supprimez l'affichage de la mire	89
7	Fixation des caches	90
	Fixez le cache du support de montage et le capuchon de protection	90
	Fixez le cache du câble au projecteur	91
8	Annexe	93
	Installation de l'unité tactile et du boîtier de commande	93
	Pour la fonction Easy Interactive	93
	Correction de la forme de l'image sur un écran courbé	93
	Fixation d'un câble de sécurité	94
	Garantie limitée	94

1 Contenu de l'emballage

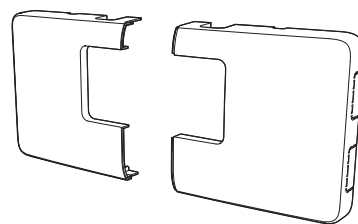
Support de montage



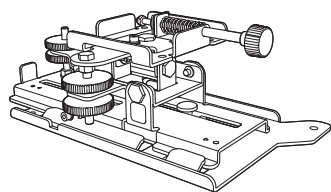
Support de montage



Plaque murale



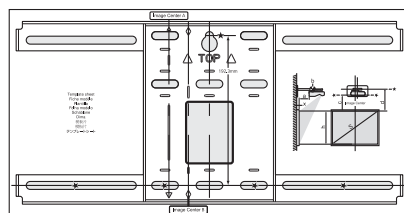
Cache de la plaque murale



Dispositif de réglage à 3 axes et plaque coulissante (fixés à la livraison)



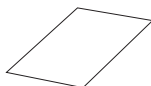
Arbre hexagonal



Fiche modèle (pour l'installation de la plaque murale)



Clé plate
13 mm (pour M8 et M6) x
6 mm (pour arbre hexagonal)



Feuille adhésive (pour le bras de montage)



Capuchon de protection






Clé à six pans (pour M4)

Forme	Nom	Quantité	Application
	Boulon à tête cylindrique à six pans M4 x 12 mm avec rondelle/rondelle élastique	5	Pour l'assemblage de la plaque murale.
		4	Pour l'installation du dispositif de réglage à 3 axes/support de montage.
		4	Pour l'installation de la plaque coulissante/du projecteur.
	Boulon à épaulement à six pans M6 x 20 mm avec rondelle/rondelle élastique	1	Pour l'installation du support de montage/plaque murale.
	Vis à épaulement à tête à empreinte cruciforme M6 x 20 mm avec rondelle plastique	3	

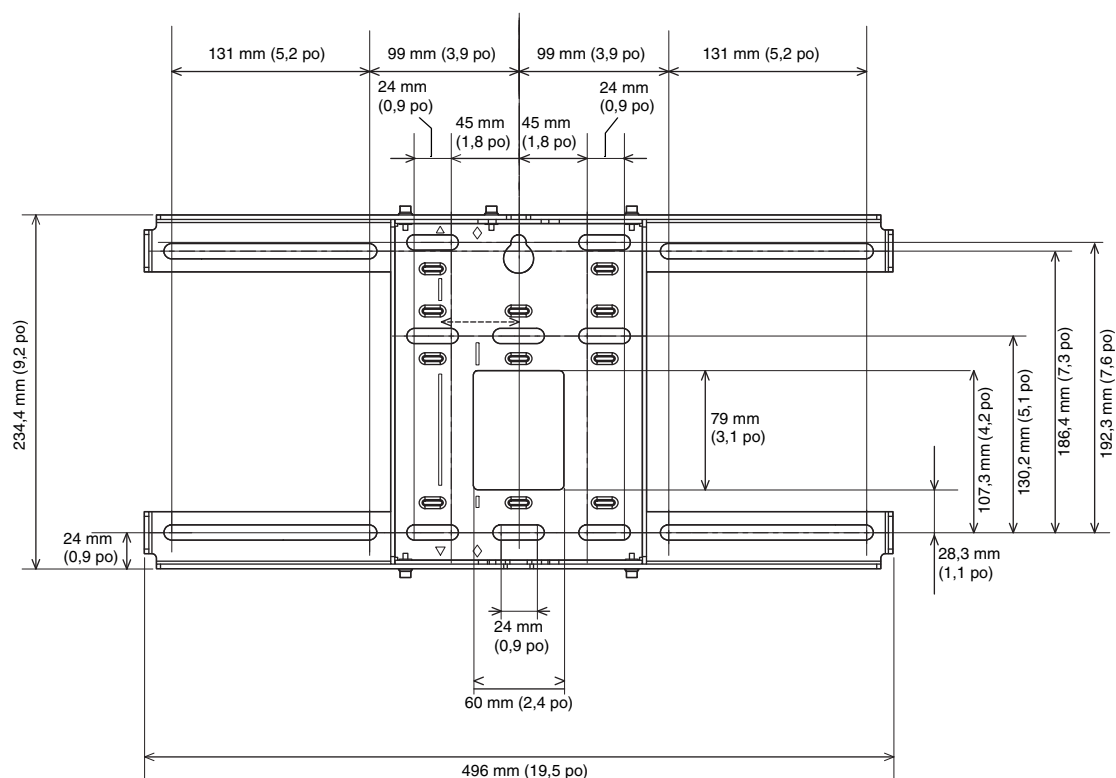
- Utilisez les vis ou les boulons fournis avec le support de montage pour installer ce dernier, comme décrit dans le présent guide. Ne leur substituez pas un autre type de boulons.
- Vous devez aussi utiliser des ancrages M10 x 60 mm disponibles en magasin (au moins 3) pour fixer la plaque murale au mur.
- Rassemblez les outils et les éléments nécessaires avant de commencer l'installation, incluant un tournevis cruciforme numéro 3.

2 Caractéristiques

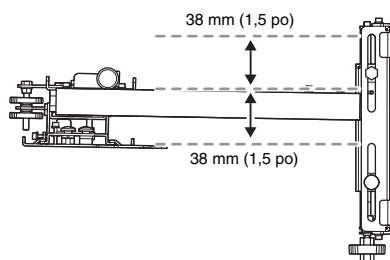
Élément	Caractéristique	Information supplémentaire	Page de référence
Poids du support de montage (incluant le dispositif de réglage à 3 axes, la plaque coulissante, la plaque murale, le cache de la plaque murale et le capuchon de protection)	Environ 7,2 kg (15,9 lb)	Support de montage : 2,9 kg (6,4 lb) Dispositif de réglage à 3 axes : 1,0 kg (2,2 lb) Plaque coulissante : 0,6 kg (1,3 lb) Plaque murale : 2,0 kg (4,4 lb) Cache de la plaque murale et capuchon de protection : 0,7 kg (1,5 lb)	—
Capacité de chargement maximale	9,5 kg (20,9 lb)	—	—
Plage de réglage du coulisement vertical	± 38 mm (1,5 po)	—	Voir l'illustration ci-dessous
Plage de réglage du coulisement horizontal	± 45 mm (1,8 po)	—	Voir l'illustration à la page 57
Plage de réglage du coulisement vers l'avant/l'arrière	13 à 350 mm (0,5 à 13,8 po)	Plage de réglage du coulisement du bras : 0 à 263 mm (0 à 10,4 po) Réglage à partir de la position d'installation du dispositif de réglage à 3 axes : 87 mm (3,4 po)	Voir l'illustration à la page 57
Plage de réglage du roulis horizontal	± 3°	Réglages précis possibles avec le cadran d'ajustement	 p. 86
Plage de réglage de la rotation horizontale	± 8°	Réglages précis possibles avec la poignée de réglage	 p. 86
Plage de réglage de l'inclinaison verticale	± 3°	Réglages précis possibles avec le cadran d'ajustement	 p. 87

Plaque murale

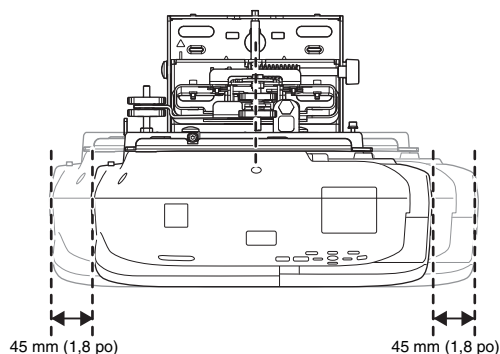
La plaque murale est livrée en trois pièces. Utilisez les boulons M4 x 12 mm (x6) inclus pour fixer les pièces séparées avant le montage du projecteur. Consultez la page 73 pour obtenir les instructions.



Plage de réglage du coulisement vertical

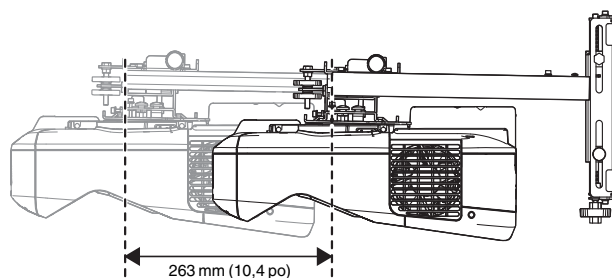


Plage de réglage du coulisement horizontal



Plage de réglage du coulisement vers l'avant/l'arrière

Plage de réglage du coulisement du bras



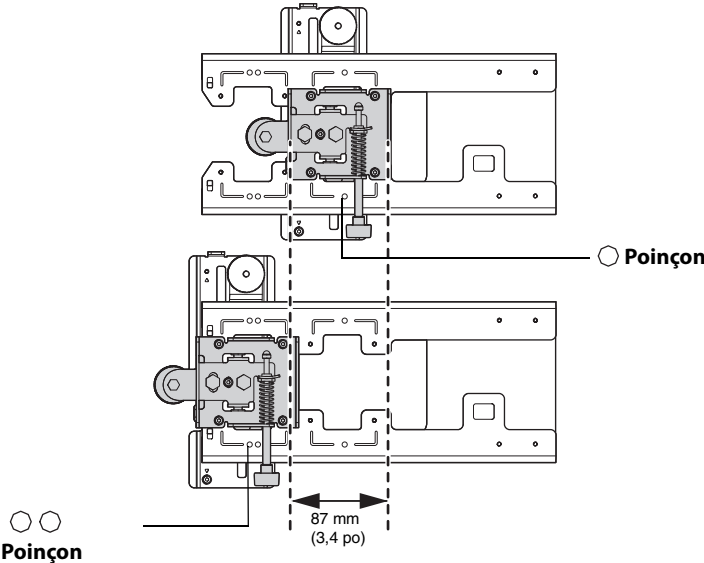
Réglage à partir de la position d'installation du dispositif de réglage à 3 axes

En déplaçant la position d'installation du dispositif de réglage à 3 axes vers l'avant ou l'arrière, vous pouvez régler la position d'installation du projecteur.

Lorsque la taille de l'écran est inférieure à 75 pouces (190,5 cm) (ou à 85 pouces [215,9 cm] pour les images WUXGA), installez-le à la position indiquée par le poinçon ○ sur le bras de montage.

Lorsque la taille de l'écran est de 75 pouces (190,5 cm) ou plus (ou de 85 pouces [215,9 cm] ou plus pour les images WUXGA), installez-le à la position indiquée par le poinçon ○○ sur le bras de montage.

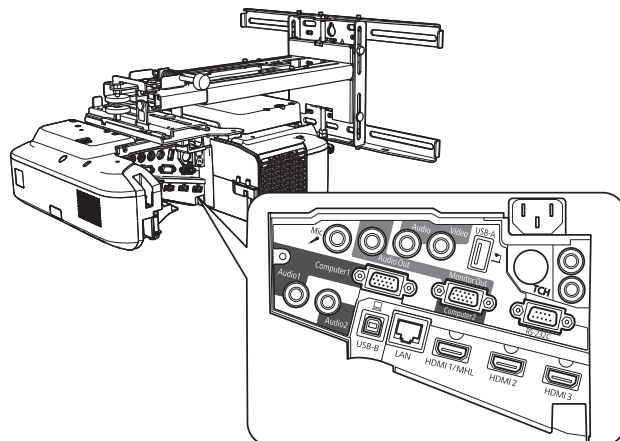
Pour voir le poinçon, vous devez retirer les deux boulons placés dans le haut, puis faire glisser la rallonge du bras.



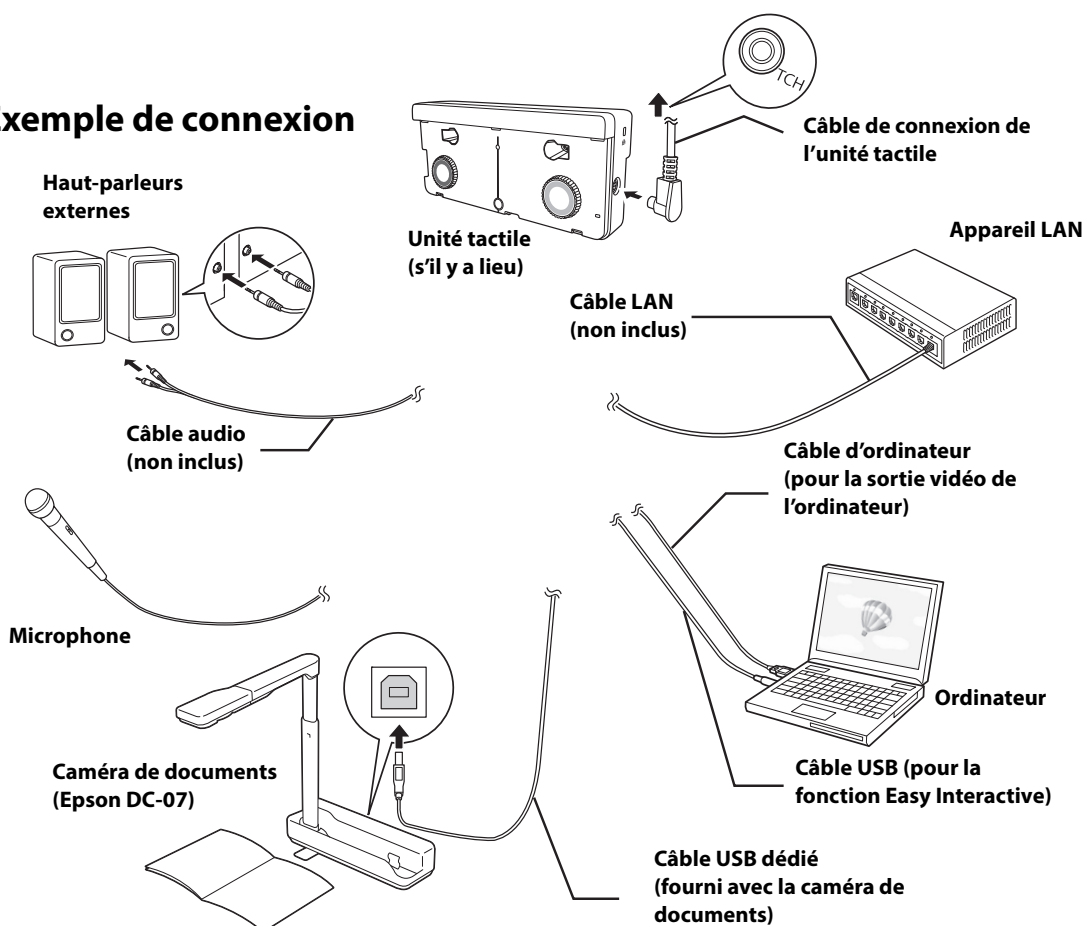
3 Connexion des appareils

Rassemblez le cordon d'alimentation, le câble d'ordinateur et les autres pièces à l'emplacement d'installation du support de montage.

Préparez aussi tous les câbles nécessaires pour l'unité tactile (s'il y a lieu) et tous les appareils que vous envisagez de connecter au projecteur, tels qu'une caméra de documents ou un microphone. Le panneau de connexion de votre projecteur pourrait être différent de celui utilisé dans les illustrations. Pour obtenir plus de détails, consultez le *Guide de l'utilisateur* en ligne pour votre projecteur.



Exemple de connexion



Pour la fonction interactive

Lorsque vous interagissez avec l'image projetée via une connexion à un ordinateur, un câble USB est nécessaire. Vous n'avez cependant pas besoin d'un câble USB lorsque vous interagissez avec l'image projetée à l'aide de la fonction intégrée du projecteur.

Connexion du boîtier de commande

Le boîtier de commande est inclus avec les projecteurs BrightLink Pro 1410Wi/1420Wi/1430Wi/1450Ui/1460Ui et BrightLink 697Ui. Il permet d'allumer le projecteur et de sélectionner le mode de tableau blanc sans avoir à utiliser la télécommande. Certains modèles de boîtier de commande possèdent également des fonctions additionnelles.

Vous devez installer le boîtier de commande sur la même surface que le projecteur à l'intérieur de la zone de couverture spécifiée dans les instructions d'installation. Vous pouvez utiliser les piles incluses ou l'ensemble de câbles de la télécommande (modèle ELPKC28, numéro de pièce V12H005C28) pour alimenter le boîtier de commande.



Consultez la documentation incluse avec votre projecteur pour des détails sur l'installation et le branchement du boîtier de commande.

4 Positionnement du projecteur

Les modèles BrightLink Pro 1450Ui/1460Ui et BrightLink 696Ui/697Ui peuvent projeter une image WUXGA de jusqu'à 254 cm (100 po) de diagonale. Les modèles BrightLink Pro 1410Wi/1420Wi/1430Wi, BrightLink 475W/485W/575Wi/575Wi+/585Wi/585Wi+/595Wi/595Wi+/675Wi+/685Wi/685Wi+/695Wi/695Wi+ et PowerLite 475W/485W/575W/585W/675W/685W peuvent projeter une image WXGA de jusqu'à 254 cm (100 po) de diagonale. Les modèles BrightLink 480i et PowerLite 470/480/570/580/680 peuvent projeter une image XGA de jusqu'à 236 cm (93 po) de diagonale.



Ce guide couvre la résolution native et le rapport hauteur/largeur d'origine de votre projecteur. Pour d'autres résolutions et rapports hauteur/largeur, utilisez le calculateur de distance de projection à l'adresse www.epson.ca/support.

Vous pouvez projeter sur un tableau blanc préinstallé ou directement sur un mur ordinaire.

C'est la hauteur du support de montage qui détermine la taille maximale de l'image et la hauteur à laquelle l'image est projetée sur le mur ou le tableau blanc. La distance entre le mur et le projecteur (une fois qu'il est monté sur le bras réglable du support de montage) influe aussi sur la taille et la position de l'image.

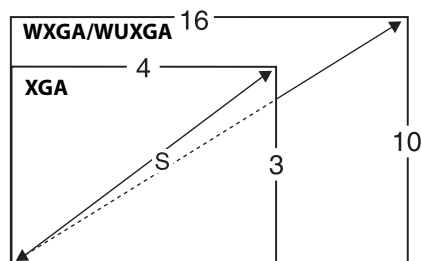
Lors de l'installation de l'unité tactile sur un tableau blanc (s'il y a lieu), assurez-vous de laisser un espace d'au moins 120 mm (4,7 po) entre le haut de l'image projetée et le haut de la surface de projection. Si vous désirez installer l'unité tactile à l'extérieur du cadre d'un tableau blanc, utilisez le support de l'unité tactile inclus. Si la distance entre le mur et la surface du tableau blanc est supérieure à 51 mm (2 po) ou si la hauteur du cadre à partir de la surface du tableau est supérieure à 3 mm (0,1 po), vous devez installer l'unité tactile sur le tableau blanc ou sur l'écran.



Consultez la documentation incluse avec votre projecteur pour des détails sur l'installation de l'unité tactile.

Si vous planifiez projeter sur un tableau blanc, il est possible que l'image n'occupe pas tout le tableau; tout dépend du rapport hauteur/largeur. Si vous faites correspondre la hauteur de l'image à la hauteur du tableau, il est possible que des espaces apparaissent sur les côtés du tableau.

Utilisez les feuilles de travail suivantes pour déterminer l'emplacement approprié de la plaque murale sur le mur. Si vous projetez sur un tableau blanc préinstallé, utilisez la feuille de travail à la page 62. Si vous projetez sur un mur ordinaire, utilisez la feuille de travail de la page 63.

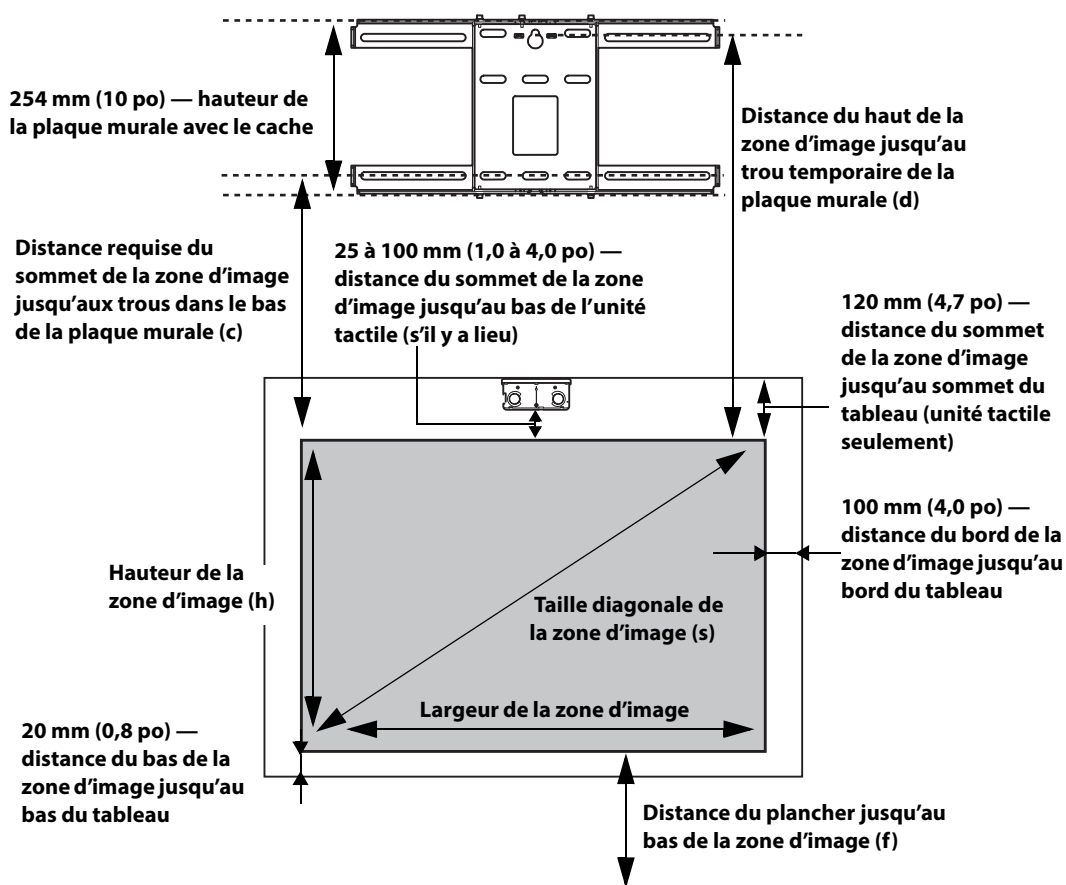


Lors de l'installation de l'unité tactile sur un tableau blanc (s'il y a lieu), assurez-vous de laisser les écarts suivants autour du bord du tableau :

- Du bord supérieur de l'image projetée jusqu'au bas de l'unité tactile : 25 à 100 mm (1 à 4 po)**
- Des bords de l'image projetée jusqu'aux bords du tableau : au moins 100 mm (4 po) à gauche et à droite**
- Du bas de l'image projetée jusqu'au bas du tableau : 20 mm (0,8 po)**

S'il y a des obstacles tels que des câbles, des plateaux pour tableau blanc, des plateaux pour crayon ou des cadres dans les zones mentionnées ci-dessus, l'unité tactile ne fonctionnera pas correctement.

Feuille de travail d'installation pour la projection sur un tableau mural préinstallé



Si vous désirez installer l'unité tactile à l'extérieur du cadre d'un tableau blanc, utilisez le support de l'unité tactile inclus. Si la distance entre le mur et la surface du tableau blanc est supérieure à 51 mm (2 po) ou si la hauteur du cadre à partir de la surface du tableau est supérieure à 3 mm (0,1 po), vous devez installer l'unité tactile sur le tableau blanc ou sur l'écran.

Consultez la documentation incluse avec votre projecteur pour des détails sur l'installation de l'unité tactile.

1. Mesurez la hauteur du plafond (distance du plancher jusqu'au plafond). _____
2. Mesurez la hauteur de la zone d'image du tableau (h). _____ (h)
3. Mesurez la largeur de la zone d'image du tableau (l). _____ (l)
4. Mesurez la distance du plancher jusqu'au bas de la zone d'image du tableau (f). _____ (f)
5. Mesurez l'épaisseur du tableau (distance entre la surface de projection et le mur) (x). _____ (x)
6. Déterminez le rapport hauteur/largeur du tableau ou des images à projeter. Pour de nouveaux ordinateurs de bureau ou portatifs, il s'agira probablement de WXGA ou WUXGA (16:10). Pour l'équipement plus ancien, il s'agira probablement de XGA (4:3). Il vous faudra peut-être consulter votre technicien informatique pour obtenir cette information.

___ 4:3 XGA

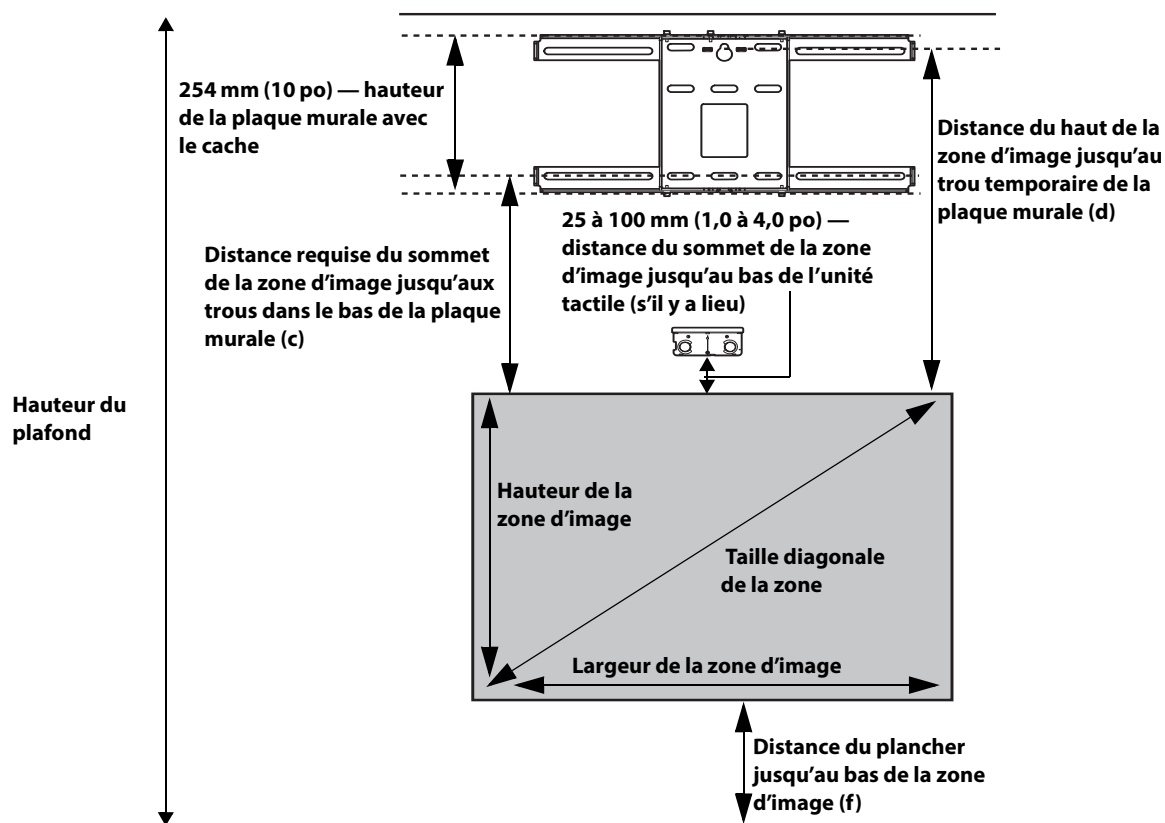
___ 16:10 WXGA/WUXGA

___ 16:9 grand écran

Si le rapport hauteur/largeur désiré ne correspond pas au rapport hauteur/largeur natif de votre produit, utilisez le calculateur de distance de projection à l'adresse www.epson.ca/support pour déterminer les mesures adéquates.

7. En utilisant les tableaux des pages 67 à 71 et la hauteur d'image souhaitée (h), trouvez la distance requise entre le haut de la zone d'image et les trous dans le bas de la plaque murale _____ (c).
8. En utilisant les tableaux des pages 67 à 71 et la hauteur d'image souhaitée (h), trouvez la distance requise entre le haut de la zone d'image et le trou temporaire de la plaque murale _____ (d).
9. Déterminez la position d'installation de votre projecteur en additionnant les valeurs _____ (f)
 (f), (h) et (c), en prévoyant 254 mm (10 po) de plus pour la hauteur de la plaque murale et le cache. _____ (h)
 _____ (c)
 Si la hauteur du plafond de votre salle (telle que notée à l'étape 1) ne correspond pas à la hauteur du plafond minimale requise pour votre tableau, vous pourriez avoir besoin de sélectionner une taille d'image plus petite ou d'abaisser le tableau sur le mur. $+254$ mm (10 po)
 _____ total
10. Après avoir confirmé votre taille d'image, utilisez du ruban ou un crayon pour marquer la distance (c) du sommet de la zone d'image sur le tableau jusqu'aux trous dans le bas de la plaque murale.
11. Alignez la ligne ★ horizontale sur le gabarit avec la marque (c), puis alignez la ligne centrale du gabarit avec le centre de la zone d'image. Suivez les directives de la page 73 pour installer le projecteur.

Feuille de travail d'installation pour la projection sur un mur ordinaire



1. Mesurez la hauteur du plafond (distance du plancher jusqu'au plafond). _____

2. Déterminez le rapport hauteur/largeur souhaité de l'image. Pour de nouveaux ordinateurs de bureau ou portatifs, il s'agira probablement de WXGA ou WUXGA (16:10). Pour l'équipement plus ancien, il s'agira probablement de XGA (4:3). Il vous faudra peut-être consulter votre technicien informatique pour obtenir cette information.

___ 4:3 XGA ___ 16:10 WXGA/WUXGA ___ 16:9 grand écran

Si le rapport hauteur/largeur désiré ne correspond pas à la résolution native de votre produit, utilisez le calculateur de distance de projection à l'adresse www.epson.ca/support pour déterminer les mesures adéquates.

3. À l'aide des tableaux des pages 67 à 72, sélectionnez la taille d'image la plus grande qui soit disponible pour la hauteur de votre plafond.

Haut. de l'image (h) _____ (h)

Larg. de l'image (l) _____ (l)

4. Mesurez la distance souhaitée du plancher jusqu'au bas de la zone d'image (f). _____ (f)

La distance minimale recommandée est de 762 mm (30 po). Les images apparaissant à moins de 711 mm (28 po) du plancher pourraient être obstruées pour certains spectateurs.

5. Trouvez le sommet de la zone d'image projetée en additionnant les distances (f) et (h). _____

6. Utilisez les tableaux des pages 67 à 71 pour déterminer la distance requise du haut de la zone d'image jusqu'aux trous dans le bas de la plaque murale (b). _____ (c)

7. Utilisez les tableaux des pages 67 à 71 pour déterminer la distance requise entre le haut de la zone d'image et le trou temporaire de la plaque murale (d). _____ (d)

8. Additionnez :

Distance requise du sommet de la zone d'image jusqu'aux trous dans le bas de la plaque murale (c) _____ (c)

Hauteur de la zone d'image (h) _____ (h)

Distance du plancher jusqu'au bas de la zone d'image (f) +254 mm (f)

Hauteur de la plaque murale avec le cache (10 po) _____

Si le total dépasse la hauteur du plancher, il vous faudra réduire la taille d'image ou réduire la distance du plancher jusqu'au bas de la zone d'image. _____ total

9. Après avoir confirmé votre taille d'image, utilisez du ruban ou un crayon pour marquer la distance (c) du sommet de la zone d'image sur le tableau jusqu'aux trous dans le bas de la plaque murale.

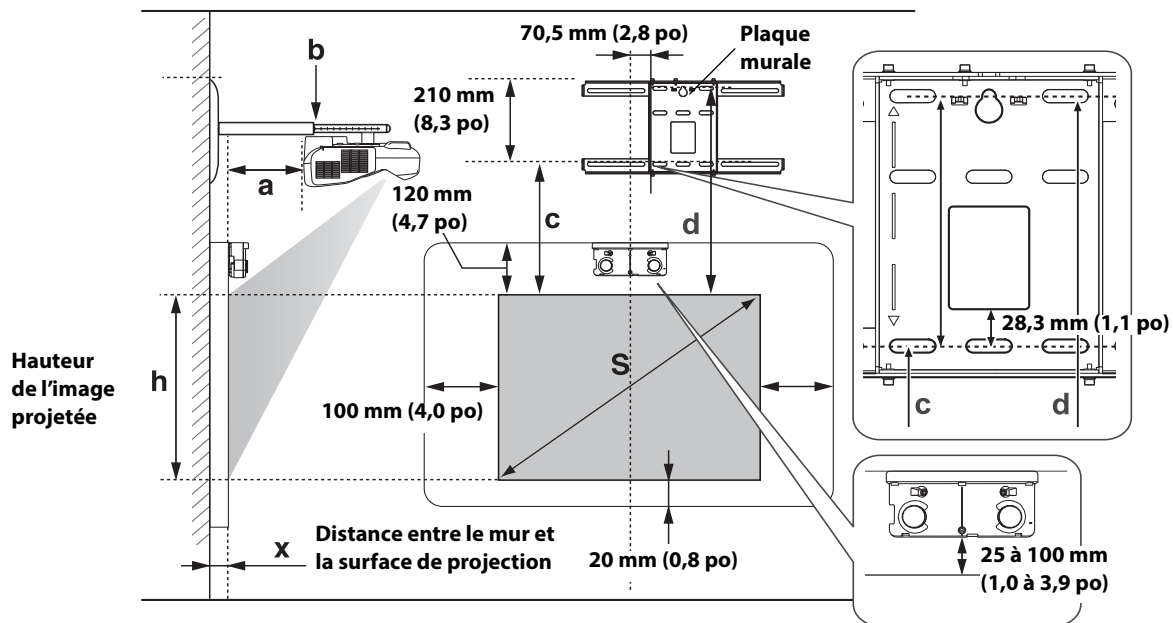
10. Aligned la ligne ★ horizontale sur le gabarit avec la marque (c), puis alignez la ligne centrale du gabarit avec le centre de la zone d'image. Suivez les directives de la page 73 pour installer le projecteur.

Feuilles de travail pour la distance de projection

Les tableaux des pages suivantes fournissent des renseignements d'installation pour toutes les tailles d'image natives. La hauteur du plafond minimale est basée sur une image à 762 mm (30 po) du plancher; si l'image est plus basse, la hauteur du plafond minimale est réduite par la mesure correspondante.

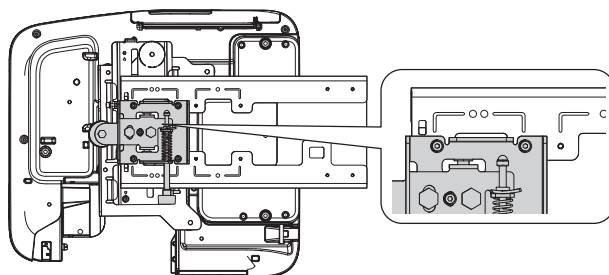
Utilisez les feuilles de travail, les illustrations et les renseignements des tableaux aux pages suivantes pour déterminer la distance de projection et le placement de la plaque murale.

Taille de l'image diagonale et position de montage

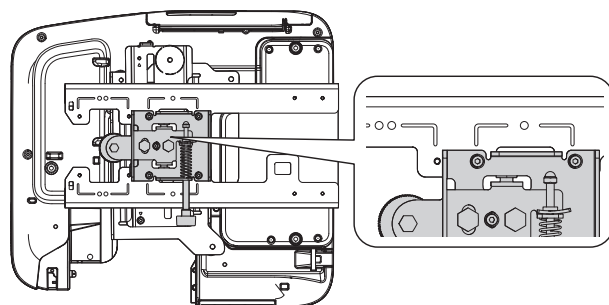


Pour voir le poinçon et les chiffres sur le coulisement de la glissière, vous devez faire glisser la rallonge du bras.

Lorsque la taille de l'image diagonale est de 190,5 cm (75 po) ou plus (ou de 85 pouces [215,9 cm] ou plus pour les images WUXGA), montez le dispositif de réglage à 3 axes à la position indiquée avec le poinçon ○○.



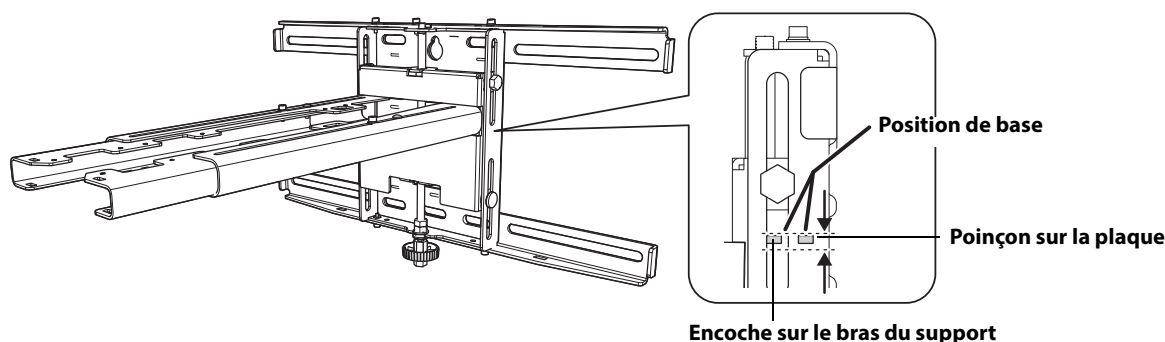
Lorsque la taille de l'image diagonale est de moins de 190,5 cm (75 po) (ou de 85 pouces [215,9 cm] pour les images WUXGA), montez le dispositif de réglage à 3 axes à la position indiquée avec le poinçon ○.



Distance entre la surface de projection et la plaque murale

La distance (c) entre l'écran de projection et les trous dans le bas de la plaque murale correspond au chiffre indiqué lorsque le coulisement vertical est à la position de base, tel qu'illustré ci-dessous.

Alignez l'encoche sur le support de montage avec la position du poinçon sur la plaque murale.



Tableaux des mesures d'installation

Utilisez le tableau suivant afin de déterminer quel tableau de mesures vous devez utiliser pour votre projecteur.



**Les mesures peuvent varier selon l'emplacement choisi pour le projecteur.
Lors d'une projection en mode Télé, la qualité des images projetées peut être réduite.**

Modèle du projecteur	Taille de l'image maximale (diagonale)	Tableau des mesures d'installation
BrightLink Pro 1450Ui/1460Ui	100 po	WUXGA
BrightLink 696Ui/697Ui		
BrightLink Pro 1410Wi/1420Wi/1430Wi	100 po	WXGA
BrightLink 475W/485W/575Wi/585Wi/595Wi/685Wi/695Wi		
BrightLink 575Wi+/585Wi+/595Wi+/675Wi+/685Wi+/695Wi+		
PowerLite 475W/485W/575W/585W/675W/685W		
BrightLink 480i	93 po	XGA
PowerLite 470/480/570/580/680		



Les mesures de distance de projection peuvent varier légèrement pour les projecteurs BrightLink Pro 1410Wi/1420Wi/1430Wi, BrightLink 475W/480i/485W/575Wi/575Wi+/585Wi/585Wi+/595Wi/595Wi+ et les projecteurs PowerLite 470/475W/480/485W/570/575W/580/585W. Pour obtenir plus d'informations, consultez la calculatrice de distance de projection à l'adresse www.epson.ca/soutien.

Mesures en pouces pour les projecteurs WXGA avec une résolution native

Taille diagonale de l'image (s)	Haut. du plafond min.*	Larg. de l'image (l)	Haut. de l'image (h)	Dist. de proj. min. (a)	Repères de glissière (b)	Dist. entre le haut de l'image et les trous dans le bas de la plaque murale (c)	Dist. entre le haut de l'image et le trou de la plaque murale temporaire (d)
60 po	78,7	50,9	31,8	1,5	5,7	6,9	14,4
61 po	79,3	51,7	32,3	1,7	5,9	7,0	14,6
62 po	80,0	52,6	32,8	2,0	6,2	7,1	14,7
63 po	80,6	53,4	33,4	2,2	6,4	7,2	14,8
64 po	81,3	54,3	33,9	2,5	6,7	7,3	14,9
65 po	81,9	55,1	34,4	2,7	6,9	7,4	15,0
66 po	82,5	56,0	35,0	3,0	7,2	7,6	15,1
67 po	83,2	56,8	35,5	3,2	7,4	7,7	15,2
68 po	83,8	57,7	36,0	3,4	7,6	7,8	15,4
69 po	84,4	58,5	36,6	3,7	7,9	7,9	15,4
70 po	85,1	59,4	37,1	3,9	8,1	8,0	15,6
71 po	85,7	60,2	37,6	4,2	8,4	8,1	15,7
72 po	86,4	61,1	38,1	4,4	8,6	8,2	15,8
73 po	87,0	61,9	38,7	4,6	8,9	8,3	15,9
74 po	87,7	62,8	39,3	4,9	9,1	8,4	16,0
75 po	88,3	63,6	39,8	5,2	9,9	8,5	16,1
76 po	88,9	64,4	40,3	5,4	6,2	8,7	16,2
77 po	89,6	65,3	40,8	5,6	6,4	8,8	16,3
78 po	90,2	66,1	41,3	5,9	6,7	8,9	16,5
79 po	90,9	67,0	41,9	6,1	6,9	9,0	16,5
80 po	91,5	67,8	42,4	6,3	7,1	9,1	16,7
81 po	92,1	68,7	42,9	6,6	7,4	9,2	16,8
82 po	92,8	69,5	43,5	6,9	7,6	9,3	16,9
83 po	93,4	70,4	44,0	7,1	7,9	9,4	17,0
84 po	94,1	71,2	44,5	7,3	8,1	9,5	17,1
85 po	94,7	72,1	45,1	7,6	8,3	9,6	17,2
86 po	95,4	72,9	45,6	7,8	8,6	9,8	17,3
87 po	96,0	73,8	46,1	8,1	8,9	9,9	17,4
88 po	96,6	74,6	46,6	8,3	9,1	10,0	17,6
89 po	97,3	75,5	47,2	8,5	9,3	10,1	17,6
90 po	97,9	76,3	47,7	8,8	9,6	10,2	17,8
91 po	98,5	77,2	48,2	9,0	9,8	10,3	17,9
92 po	99,2	78,0	48,7	9,3	10,1	10,4	18,0
93 po	99,8	78,9	49,3	9,5	10,3	10,6	18,1
94 po	100,5	79,7	49,8	9,8	10,6	10,7	18,2
95 po	101,1	80,6	50,4	10,0	10,8	10,7	18,3
96 po	101,7	81,4	50,9	10,2	11,0	10,9	18,4
97 po	102,4	82,2	51,4	10,5	11,3	11,0	18,5
98 po	103,0	83,1	51,9	10,7	11,5	11,1	18,7
99 po	103,7	83,9	52,4	11,0	11,8	11,2	18,8
100 po	104,3	84,8	53,0	11,2	12,0	11,3	18,9

* Basée sur une image à 76,2 cm (30 po) du plancher; si l'image est plus basse, la hauteur du plafond minimale est réduite par la mesure correspondante.

Mesures en pouces pour les projecteurs XGA avec une résolution native

Taille diagonale de l'image (s)	Haut. du plafond min.*	Larg. de l'image (l)	Haut. de l'image (h)	Dist. de proj. min. (a)	Repères de glissière (b)	Dist. entre le haut de l'image et les trous dans le bas de la plaque murale (c)	Dist. entre le haut de l'image et le trou de la plaque murale temporaire (d)
60 po	82,4	48,0	36,0	2,7	6,9	6,4	14,0
61 po	83,1	48,8	36,6	2,9	7,1	6,5	14,1
62 po	83,8	49,6	37,2	3,2	7,4	6,6	14,2
63 po	84,5	50,4	37,8	3,5	7,7	6,7	14,3
64 po	85,2	51,2	38,4	3,7	7,9	6,8	14,4
65 po	85,9	52,0	39,0	4,0	8,2	6,9	14,5
66 po	86,6	52,8	39,6	4,2	8,4	7,0	14,6
67 po	87,3	53,6	40,2	4,5	8,7	7,1	14,7
68 po	88,0	54,4	40,8	4,8	9,0	7,2	14,8
69 po	88,7	55,2	41,4	5,0	9,2	7,3	14,9
70 po	89,4	56,0	42,0	5,3	9,5	7,4	15,0
71 po	90,2	56,8	42,6	5,6	9,8	7,6	15,1
72 po	90,9	57,6	43,2	5,8	10,0	7,6	15,2
73 po	91,5	58,4	43,8	6,1	10,3	7,8	15,3
74 po	92,2	59,2	44,4	6,3	10,5	7,8	15,4
75 po	93,0	60,0	45,0	6,6	7,4	8,0	15,5
76 po	93,7	60,8	45,6	6,9	7,6	8,1	15,6
77 po	94,4	61,6	46,2	7,1	7,9	8,1	15,7
78 po	95,1	62,4	46,8	7,4	8,1	8,3	15,8
79 po	95,7	63,2	47,4	7,6	8,4	8,3	15,9
80 po	96,5	64,0	48,0	7,9	8,7	8,5	16,0
81 po	97,2	64,8	48,6	8,1	8,9	8,6	16,1
82 po	97,9	65,6	49,2	8,4	9,2	8,7	16,2
83 po	98,6	66,4	49,8	8,7	9,4	8,8	16,3
84 po	99,3	67,2	50,4	8,9	9,7	8,9	16,4
85 po	100,0	68,0	51,0	9,2	10,0	9,0	16,5
86 po	100,7	68,8	51,6	9,4	10,2	9,1	16,7
87 po	101,4	69,6	52,2	9,7	10,5	9,2	16,7
88 po	102,1	70,4	52,8	10,0	10,7	9,3	16,9
89 po	102,8	71,2	53,4	10,2	11,0	9,4	17,0
90 po	103,5	72,0	54,0	10,5	11,3	9,5	17,0
91 po	104,2	72,8	54,6	10,7	11,5	9,6	17,2
92 po	104,9	73,6	55,2	11,0	11,8	9,7	17,2
93 po	105,6	74,4	55,8	11,3	12,0	9,8	17,4
94 po	106,3	75,2	56,4	11,5	12,3	9,9	17,5

* Basée sur une image à 76,2 cm (30 po) du plancher; si l'image est plus basse, la hauteur du plafond minimale est réduite par la mesure correspondante.

Mesures en pouces pour les projecteurs WUXGA avec une résolution native

Taille diagonale de l'image (s)	Haut. du plafond min.*	Larg. de l'image (l)	Haut. de l'image (h)	Dist. de proj. min. (a)	Repères de glissière (b)	Dist. entre le haut de l'image et les trous dans le bas de la plaque murale (c)	Dist. entre le haut de l'image et le trou de la plaque murale temporaire (d)
70 po	85,5	59,4	37,1	2,2	6,5	8,4	16,0
71 po	86,2	60,2	37,6	2,4	6,7	8,5	16,1
72 po	86,8	61,1	38,1	2,7	7,0	8,7	16,2
73 po	87,5	61,9	38,7	2,9	7,2	8,8	16,3
74 po	88,1	62,8	39,2	3,2	7,5	8,9	16,5
75 po	88,7	63,6	39,8	3,4	7,7	9,0	16,5
76 po	89,4	64,4	40,3	3,7	8,0	9,1	16,7
77 po	90,0	65,3	40,8	3,9	8,2	9,2	16,8
78 po	90,7	66,1	41,3	4,2	8,5	9,3	16,9
79 po	91,3	67,0	41,9	4,4	8,7	9,4	17,0
80 po	91,9	67,8	42,4	4,6	8,9	9,5	17,1
81 po	92,6	68,7	42,9	4,9	9,2	9,6	17,2
82 po	93,2	69,5	43,5	5,2	9,4	9,8	17,3
83 po	93,9	70,4	44,0	5,4	9,7	9,9	17,4
84 po	94,5	71,2	44,5	5,7	9,9	10,0	17,6
85 po	95,1	72,1	45,0	5,9	6,8	10,1	17,6
86 po	95,8	72,9	45,6	6,1	7,0	10,2	17,8
87 po	96,4	73,8	46,1	6,4	7,2	10,3	17,9
88 po	97,1	74,6	46,7	6,7	7,5	10,4	18,0
89 po	97,7	75,5	47,2	6,9	7,8	10,6	18,1
90 po	98,4	76,3	47,7	7,1	8,0	10,7	18,2
91 po	99,0	77,2	48,2	7,4	8,2	10,7	18,3
92 po	99,6	78,0	48,8	7,6	8,5	10,9	18,4
93 po	100,3	78,9	49,3	7,9	8,7	11,0	18,5
94 po	100,9	79,7	49,8	8,1	9,0	11,1	18,7
95 po	101,6	80,6	50,4	8,4	9,3	11,2	18,8
96 po	102,2	81,4	50,9	8,6	9,5	11,3	18,9
97 po	102,8	82,2	51,4	8,9	9,7	11,4	19,0
98 po	103,5	83,1	51,9	9,1	10,0	11,5	19,1
99 po	104,1	83,9	52,5	9,4	10,2	11,7	19,2
100 po	104,3	84,8	53	9,6	10,5	11,8	19,3

* Basée sur une image à 76,2 cm (30 po) du plancher; si l'image est plus basse, la hauteur du plafond minimale est réduite par la mesure correspondante.

Mesures en cm pour les projecteurs WXGA avec une résolution native

Taille diagonale de l'image (s)	Haut. du plafond min.*	Larg. de l'image (l)	Haut. de l'image (h)	Dist. de proj. min. (a)	Repères de glissière (b)	Dist. entre le haut de l'image et les trous dans le bas de la plaque murale (c)	Dist. entre le haut de l'image et le trou de la plaque murale temporaire (d)
60 po	199,9	129,2	80,8	3,8	14,5	17,5	36,7
61 po	201,5	131,4	82,1	4,4	15,1	17,8	37,0
62 po	203,1	133,5	83,4	5,0	15,7	18,1	37,3
63 po	204,8	135,7	84,8	5,6	16,3	18,4	37,6
64 po	206,4	137,9	86,2	6,3	17,0	18,6	37,8
65 po	208,0	140,0	87,5	6,9	17,6	18,9	38,1
66 po	209,6	142,2	88,8	7,5	18,2	19,2	38,4
67 po	211,3	144,3	90,2	8,1	18,8	19,5	38,7
68 po	212,9	146,5	91,5	8,7	19,4	19,8	39,0
69 po	214,5	148,6	92,9	9,3	20,0	20,0	39,2
70 po	216,2	150,8	94,3	10,0	20,7	20,3	39,5
71 po	217,8	152,9	95,6	10,6	21,3	20,6	39,8
72 po	219,4	155,1	96,9	11,2	21,9	20,9	40,1
73 po	221,0	157,2	98,2	11,8	22,5	21,2	40,4
74 po	222,7	159,4	99,7	12,4	23,1	21,4	40,6
75 po	224,3	161,5	101,0	13,1	15,1	21,7	40,9
76 po	225,9	163,7	102,3	13,7	15,7	22,0	41,2
77 po	227,5	165,9	103,6	14,3	16,3	22,3	41,5
78 po	229,2	168,0	105,0	14,9	16,9	22,6	41,8
79 po	230,8	170,2	106,4	15,5	17,5	22,8	42,0
80 po	232,4	172,3	107,7	16,1	18,1	23,1	42,3
81 po	234,0	174,5	109,0	16,8	18,8	23,4	42,6
82 po	235,7	176,6	110,4	17,4	19,4	23,7	42,9
83 po	237,3	178,8	111,7	18,0	20,0	24,0	43,2
84 po	238,9	180,9	113,1	18,6	20,6	24,2	43,4
85 po	240,6	183,1	114,5	19,2	21,2	24,5	43,7
86 po	242,2	185,2	115,8	19,9	21,9	24,8	44,0
87 po	243,8	187,4	117,1	20,5	22,5	25,1	44,3
88 po	245,4	189,5	118,4	21,1	23,1	25,4	44,6
89 po	247,1	191,7	119,9	21,7	23,7	25,6	44,8
90 po	248,7	193,9	121,2	22,3	24,3	25,9	45,1
91 po	250,3	196,0	122,5	22,9	24,9	26,2	45,4
92 po	251,9	198,2	123,8	23,6	25,6	26,5	45,7
93 po	253,6	200,3	125,2	24,2	26,2	26,8	46,0
94 po	255,2	202,5	126,5	24,8	26,8	27,1	46,3
95 po	256,8	204,6	127,9	25,4	27,4	27,3	46,5
96 po	258,4	206,8	129,2	26,0	28,0	27,6	46,8
97 po	260,1	208,9	130,6	26,7	28,7	27,9	47,1
98 po	261,7	211,1	131,9	27,3	29,3	28,2	47,4
99 po	263,3	213,2	133,2	27,9	29,9	28,5	47,7
100 po	265,0	215,3	134,7	28,5	30,5	28,7	47,9

* Basée sur une image à 76,2 cm (30 po) du plancher; si l'image est plus basse, la hauteur du plafond minimale est réduite par la mesure correspondante.

Mesures en cm pour les projecteurs XGA avec une résolution native

Taille diagonale de l'image (s)	Haut. du plafond min.*	Larg. de l'image (l)	Haut. de l'image (h)	Dist. de proj. min. (a)	Repères de glissière (b)	Dist. entre le haut de l'image et les trous dans le bas de la plaque murale (c)	Dist. entre le haut de l'image et le trou de la plaque murale temporaire (d)
60 po	209,3	121,9	91,4	6,8	17,5	16,3	35,5
61 po	211,1	124,0	92,9	7,4	18,1	16,6	35,8
62 po	212,9	126,0	94,5	8,1	18,8	16,8	36,0
63 po	214,7	128,0	96,0	8,8	19,5	17,1	36,3
64 po	216,5	130,0	97,6	9,4	20,1	17,3	36,5
65 po	218,3	132,1	99,1	10,1	20,8	17,6	36,8
66 po	220,0	134,1	100,5	10,7	21,4	17,9	37,1
67 po	221,8	136,1	102,1	11,4	22,1	18,1	37,3
68 po	223,6	138,2	103,6	12,1	22,8	18,4	37,6
69 po	225,4	140,2	105,2	12,7	23,4	18,6	37,8
70 po	227,2	142,2	106,7	13,4	24,1	18,9	38,1
71 po	229,0	144,3	108,2	14,1	24,8	19,2	38,4
72 po	230,8	146,3	109,8	14,7	25,4	19,4	38,6
73 po	232,5	148,3	111,2	15,4	26,1	19,7	38,9
74 po	234,3	150,4	112,8	16,0	26,7	19,9	39,1
75 po	236,1	152,4	114,3	16,7	18,7	20,2	39,4
76 po	237,9	154,4	115,8	17,4	19,4	20,5	39,7
77 po	239,7	156,5	117,4	18,0	20,0	20,7	39,9
78 po	241,5	158,5	118,9	18,7	20,7	21,0	40,2
79 po	243,2	160,5	120,4	19,4	21,4	21,2	40,4
80 po	245,0	162,6	121,9	20,0	22,0	21,5	40,7
81 po	246,8	164,6	123,4	20,7	22,7	21,8	41,0
82 po	248,6	166,6	125,0	21,3	23,3	22,0	41,2
83 po	250,4	168,7	126,5	22,0	24,0	22,3	41,5
84 po	252,2	170,7	128,1	22,7	24,7	22,5	41,7
85 po	253,9	172,7	129,5	23,3	25,3	22,8	42,0
86 po	255,7	174,8	131,0	24,0	26,0	23,1	42,3
87 po	257,5	176,8	132,6	24,7	26,7	23,3	42,5
88 po	259,3	178,8	134,1	25,3	27,3	23,6	42,8
89 po	261,1	180,8	135,6	26,0	28,0	23,9	43,1
90 po	262,9	182,9	137,2	26,6	28,6	24,1	43,3
91 po	264,7	184,9	138,7	27,3	29,3	24,4	43,6
92 po	266,4	186,9	140,2	28,0	30,0	24,6	43,8
93 po	268,2	189,0	141,7	28,6	30,6	24,9	44,1
94 po	270,0	191,0	143,2	29,3	31,3	25,2	44,4

* Basée sur une image à 76,2 cm (30 po) du plancher; si l'image est plus basse, la hauteur du plafond minimale est réduite par la mesure correspondante.

Mesures en cm pour les projecteurs WUXGA avec une résolution native

Taille diagonale de l'image (s)	Haut. du plafond min.*	Larg. de l'image (l)	Haut. de l'image (h)	Dist. de proj. min. (a)	Repères de glissière (b)	Dist. entre le haut de l'image et les trous dans le bas de la plaque murale (c)	Dist. entre le haut de l'image et le trou de la plaque murale temporaire (d)
70 po	217,2	150,8	94,2	5,6	16,5	21,4	40,6
71 po	218,9	152,9	95,6	6,2	17,1	21,7	40,9
72 po	220,5	155,1	96,9	6,8	17,7	22,0	41,2
73 po	222,2	157,2	98,3	7,4	18,3	22,3	41,5
74 po	223,8	159,4	99,6	8,1	19,0	22,6	41,8
75 po	225,4	161,5	101,0	8,7	19,6	22,8	42,0
76 po	227,0	163,7	102,3	9,3	20,2	23,1	42,3
77 po	228,7	165,9	103,7	10,0	20,9	23,4	42,6
78 po	230,3	168,0	105,0	10,6	21,5	23,7	42,9
79 po	231,9	170,2	106,3	11,2	22,1	24,0	43,2
80 po	233,5	172,3	107,7	11,8	22,7	24,2	43,4
81 po	235,1	174,5	109,0	12,5	23,4	24,5	43,7
82 po	236,8	176,6	110,4	13,1	24,0	24,8	44,0
83 po	238,4	178,8	111,7	13,7	24,6	25,1	44,3
84 po	240,1	180,9	113,1	14,4	25,2	25,4	44,6
85 po	241,6	183,1	114,4	15,0	17,2	25,6	44,8
86 po	243,3	185,2	115,8	15,6	17,8	25,9	45,1
87 po	244,9	187,4	117,1	16,2	18,4	26,2	45,4
88 po	246,6	189,5	118,5	16,9	19,1	26,5	45,7
89 po	248,2	191,7	119,8	17,5	19,7	26,8	46,0
90 po	249,9	193,9	121,2	18,1	20,3	27,1	46,3
91 po	251,4	196,0	122,5	18,7	20,9	27,3	46,5
92 po	253,1	198,2	123,9	19,4	21,6	27,6	46,8
93 po	254,7	200,3	125,2	20,0	22,2	27,9	47,1
94 po	256,3	202,5	126,5	20,6	22,8	28,2	47,4
95 po	258,0	204,6	127,9	21,3	23,5	28,5	47,7
96 po	259,5	206,8	129,2	21,9	24,1	28,7	47,9
97 po	261,2	208,9	130,6	22,5	24,7	29,0	48,2
98 po	262,8	211,1	131,9	23,1	25,3	29,3	48,5
99 po	264,5	213,2	133,3	23,8	26,0	29,6	48,8
100 po	266,1	215,4	134,6	24,4	26,6	29,9	49,1

* Basée sur une image à 76,2 cm (30 po) du plancher; si l'image est plus basse, la hauteur du plafond minimale est réduite par la mesure correspondante.

5 Installation du projecteur

Veillez à bien respecter les étapes ci-dessous lorsque vous installez le support de montage. Si vous les ignorez, le support de montage pourrait tomber et provoquer des blessures corporelles et des dommages matériels.

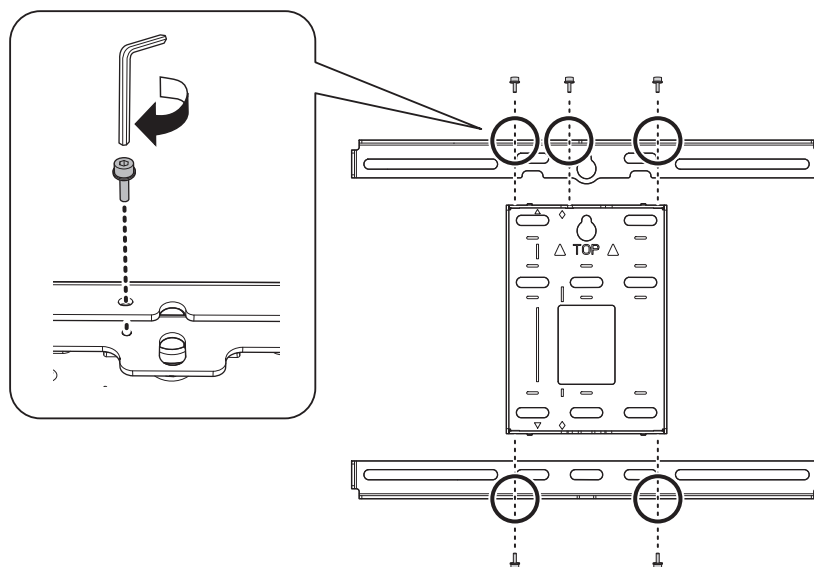
Avertissement

- ❑ **La fixation du projecteur sur un mur à l'aide du support de montage doit être effectuée sur un mur suffisamment solide pour maintenir le projecteur, le support de montage, ainsi que le boîtier de commande et l'unité tactile, s'il y a lieu.
Ce support de montage doit être installé sur un mur en béton. Confirmez le poids du projecteur et du support de montage avant l'installation, et vérifiez la solidité du mur. Si la solidité du mur est insuffisante, renforcez le mur avant de procéder à l'installation.**
- ❑ **Le poids maximum du projecteur combiné à celui du support de montage est de 16,7 kg (36,8 lb).**
- ❑ **Ne suspendez pas le câble par-dessus le support de montage.**
- ❑ **Installez le support de montage de sorte qu'il puisse supporter son poids ainsi que celui du projecteur et résister à toute vibration horizontale. Utilisez des écrous et des boulons M10 et assurez-vous d'utiliser des ancrages muraux appropriés pour votre type de mur. Si vous utilisez des écrous et des boulons de taille inférieure à M10, le support de montage risque de tomber.**
- ❑ **Epson n'accepte aucune responsabilité pour tout dommage ou toute blessure dus à une solidité du mur insuffisante ou une installation inappropriée.**

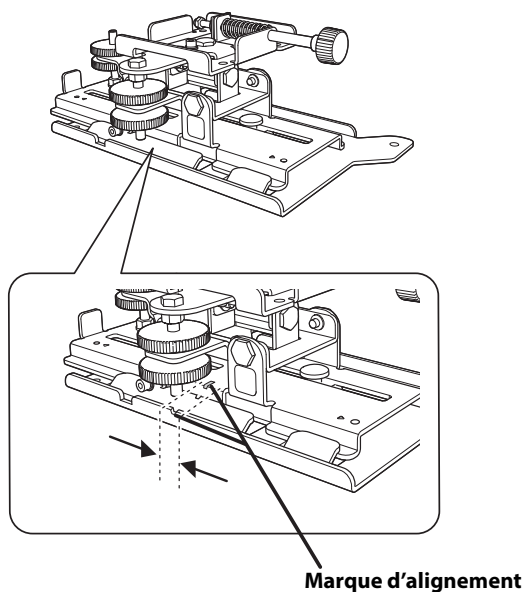
1 Assemblez les pièces

1. Assemblez la plaque murale.

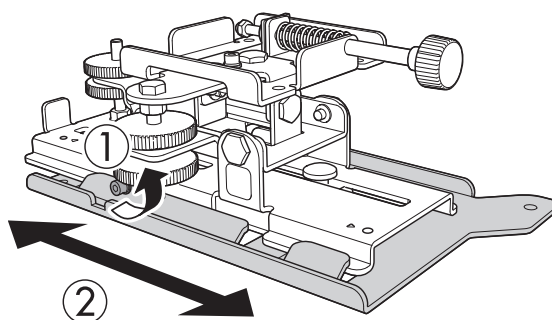
Assemblez la plaque murale et les deux cadres en une seule unité et fixez-les à l'aide des boulons à tête cylindrique à six pans M4 x 12 mm (x5) fournis.



2. Alignez le dispositif de réglage à 3 axes avec la marque d'alignement de la plaque coulissante.

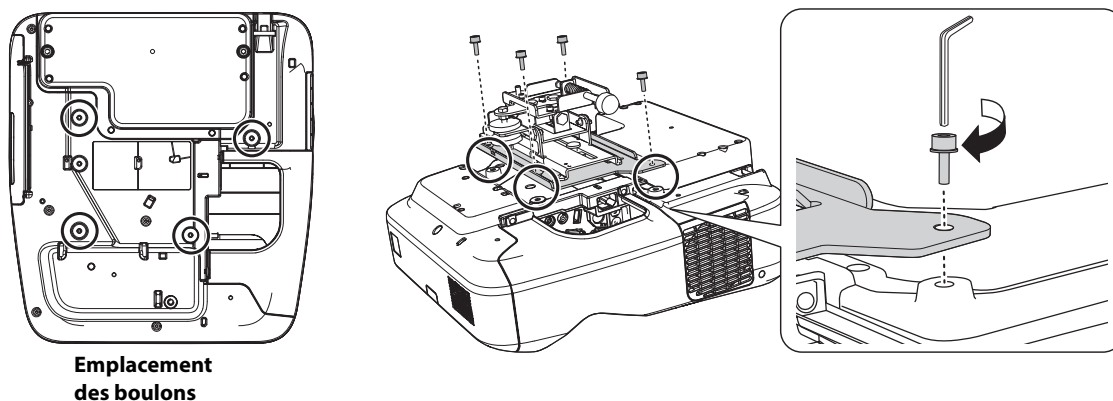


Si le dispositif de réglage à 3 axes n'est pas aligné correctement, desserrez le boulon à tête cylindrique à six pans M4 x 12 mm (①) et corrigez l'alignement (②). Puis, resserrez le boulon à tête cylindrique à six pans M4 x 12 mm.



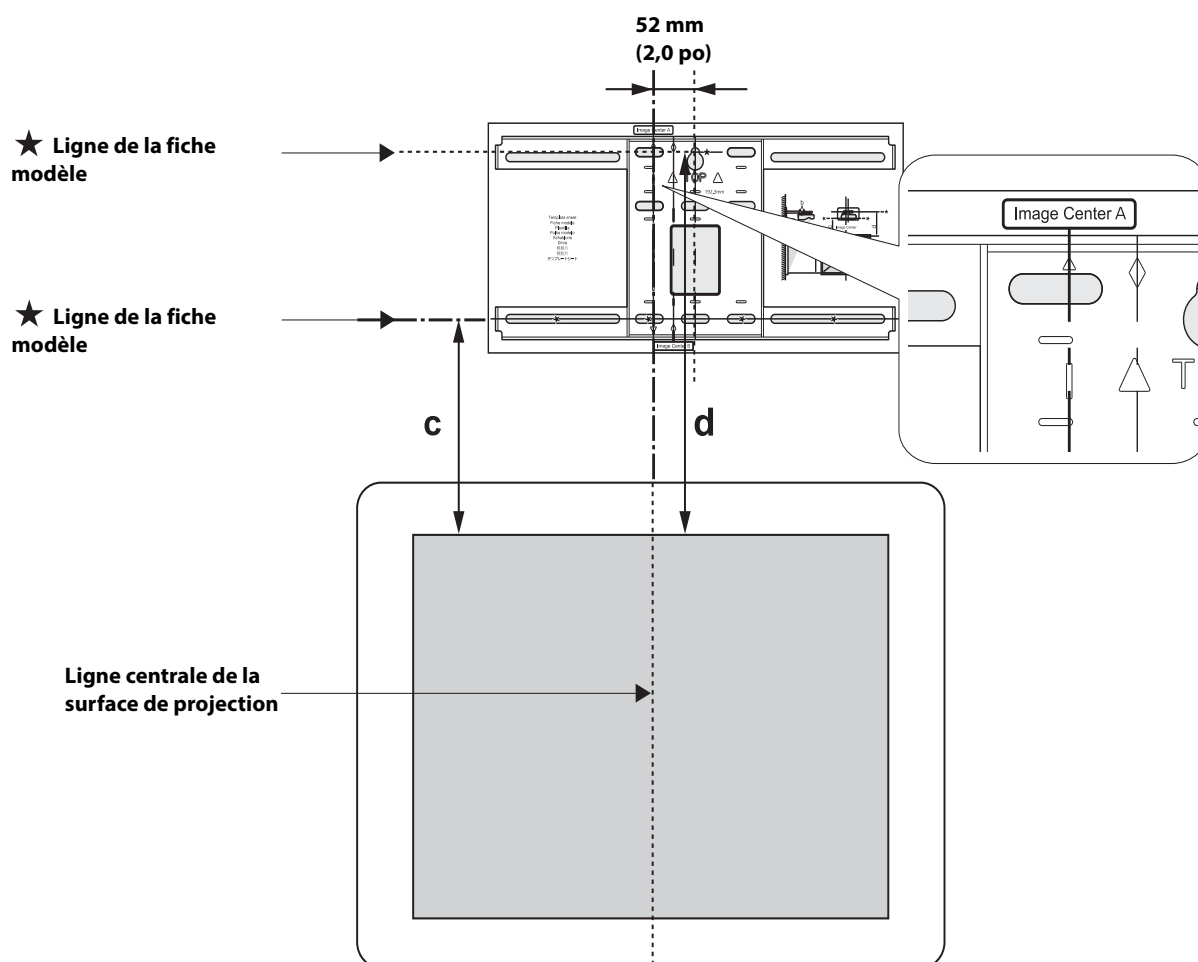
3. Fixez le dispositif de réglage à 3 axes et la plaque coulissante au projecteur.

Fixez le dispositif de réglage à 3 axes et la plaque coulissante au projecteur à l'aide des boulons à tête cylindrique à six pans M4 x 12 mm (x4) fournis.



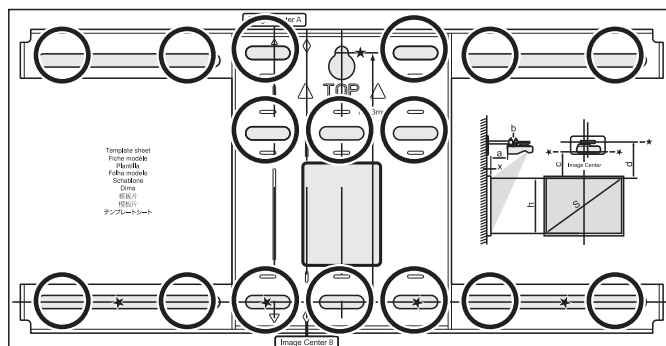
2 Installez la plaque murale sur le mur

- Déterminez la position de la fiche modèle.
 - Consultez le tableau des distances de projection et confirmez la taille de l'écran (S), la distance entre l'image projetée et les trous dans le bas de la plaque murale (c), ainsi que la distance entre l'image projetée et le trou temporaire de la plaque murale (d).
 - Pour les modèles BrightLink 475Wi/480i/485Wi/575Wi/575Wi+/585Wi/585Wi+/595Wi/595Wi+/675Wi+/685Wi/685Wi+/695Wi/695Wi+, BrightLink Pro 1410Wi/1420Wi/1430Wi, et PowerLite 470/475W/480/485W/570/575W/580/585W/675W/680/685W, alignez la ligne A (verticale) du centre d'image de la fiche modèle avec la ligne centrale (verticale) de la surface de projection.
 - Pour les modèles BrightLink 696Ui/697Ui et BrightLink Pro 1450Ui/1460Ui, alignez la ligne B (verticale) du centre d'image de la fiche modèle avec la ligne centrale (verticale) de la surface de projection.
- Vérifiez l'emplacement des poutres à l'intérieur du mur et déplacez la position de la fiche modèle vers la gauche ou la droite si nécessaire.
- La position peut être décalée horizontalement vers la gauche ou la droite de la ligne centrale de la surface de projection de 45 mm (1,77 po) au maximum.
- Alignez les lignes ★ horizontales sur le modèle avec la hauteur de (c) et (d).



Si vous souhaitez cacher le câble d'alimentation du projecteur sous le cache de la plaque murale, assurez-vous d'abord que la prise électrique se situe dans un espace libre à la droite ou à la gauche de la plaque murale et qu'elle est placée à une distance d'entre 93,5 mm (3,7 po) et 123,5 mm (4,9 po) du centre de la plaque murale (et non pas du centre de la surface de projection). Si la prise électrique est placée à plus de 123,5 mm (4,9 po) du centre de la plaque murale, le câble d'alimentation ne tiendra pas sous le cache.

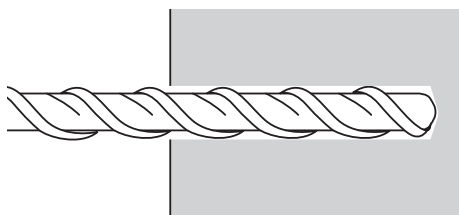
2. Fixez la fiche modèle au mur.
3. Vissez une vis M10 (non incluse) dans le trou temporaire de la plaque murale.
Laissez au moins 6 mm (0,2 po) entre la tête de la vis et le mur.
4. Déterminez la position des trous de montage de la plaque murale.
Utilisez au moins quatre trous de montage.



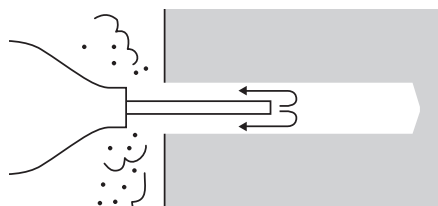
Les étapes 5 à 9 ci-dessous fournissent les instructions pour fixer la plaque murale à un mur de béton.

5. Percez des trous des diamètres et des profondeurs suivants.

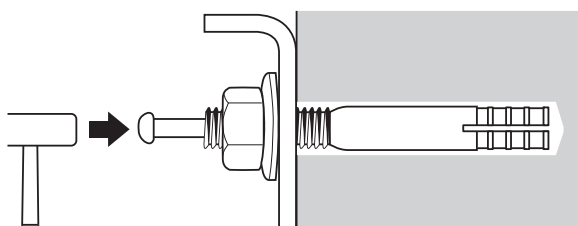
Diamètre de perçage	10,5 mm (0,41 po)
Profondeur du trou pilote	45 mm (1,8 po)
Profondeur du trou de l'ancrage	40 mm (1,6 po)



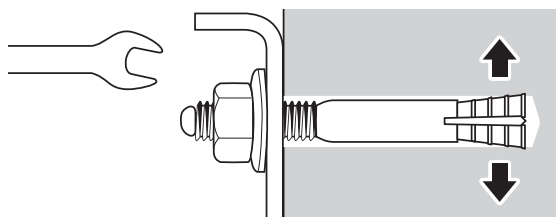
6. Retirez la fiche modèle.
7. Utilisez un appareil tel qu'une pompe à poussière pour enlever la poussière de béton hors du trou.



8. Positionnez la plaque murale sur le mur et insérez des ancrages à expansion M10 x 60 mm dans les trous. Fixez l'écrou et tapez-le avec un marteau jusqu'à ce que la partie centrale touche le dessus de l'ancrage.



9. Serrez l'écrou avec une clé pour fixer la plaque murale au mur.



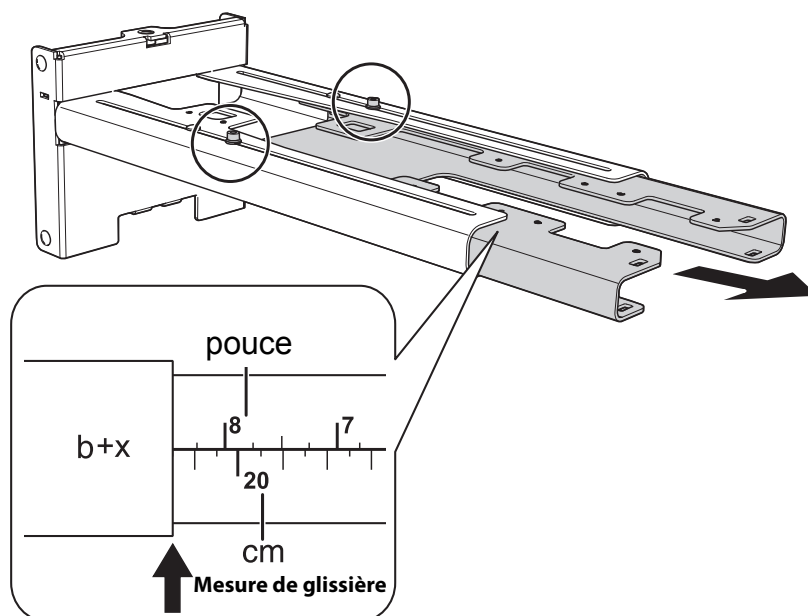
10. Retirez la vis temporaire de la plaque murale.

3 Déterminez la distance de projection et retirez la glissière du bras de montage.

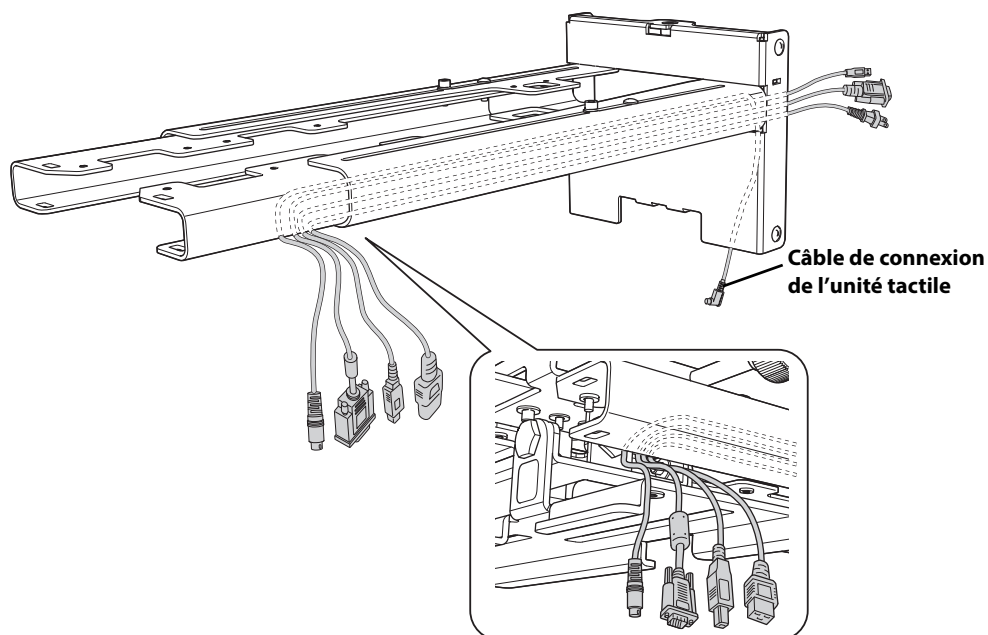
1. En consultant les tableaux des pages 67 à 72, trouvez le chiffre requis pour la mesure de la glissière (b).
2. Desserrez les boulons à tête cylindrique à six pans M4 x 12 mm (x2), puis retirez la glissière sur le support de montage.

Alignez la glissière avec la mesure (b+x) équivalente à la mesure de la glissière (b) additionnée à l'épaisseur de l'écran de projection (x).

Pour une illustration sur la façon de mesurer l'épaisseur de l'écran de projection (x), consultez la page 65.



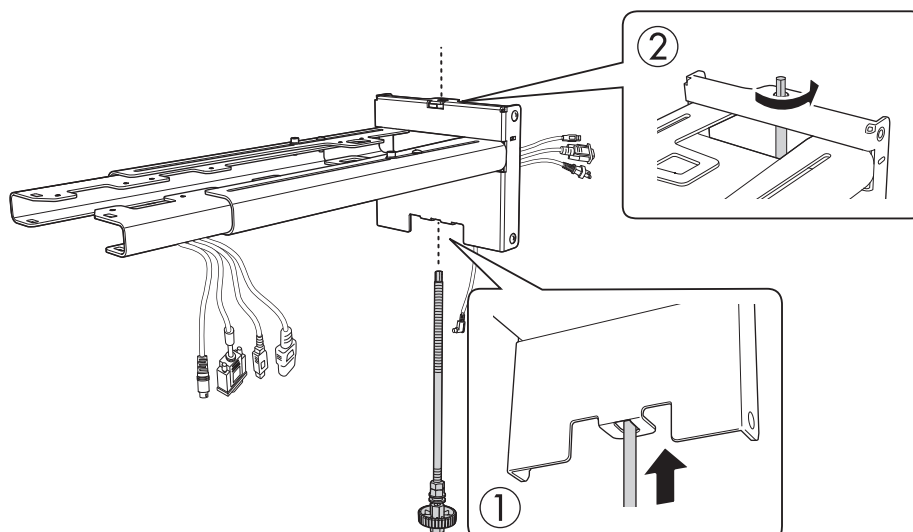
4 Faites passer les câbles dans le bras du support de montage



BrightLink 595Wi/695Wi/595Wi+/695Wi+/696Ui/697Ui et BrightLink Pro 1430Wi/1450Ui/1460Ui : Assurez-vous de faire passer le câble de connexion de l'unité tactile dans le bras du support de montage. Faites passer le câble de connexion de l'unité tactile de manière à ce que l'extrémité branchée à l'unité tactile apparaisse dans la partie inférieure du support de montage, tel qu'illustré ci-dessus.

5 Fixez le bras du support de montage à la plaque murale

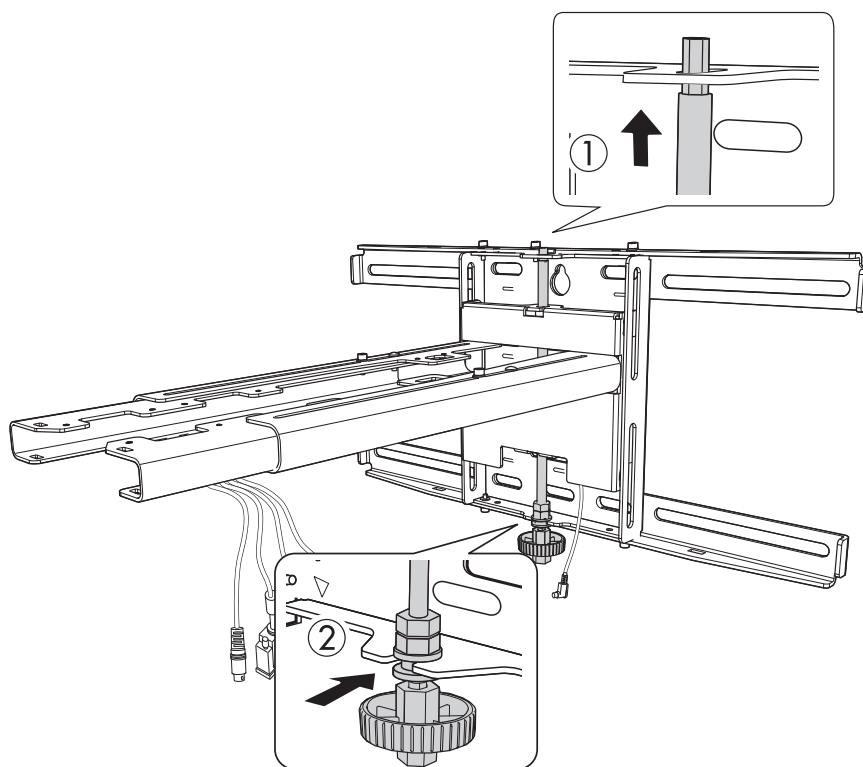
1. Insérez l'arbre hexagonal dans le support de montage (①).
2. Insérez et faites tourner l'arbre hexagonal sur la partie supérieure du bras du support de montage dans le logement de la plaque murale (②).



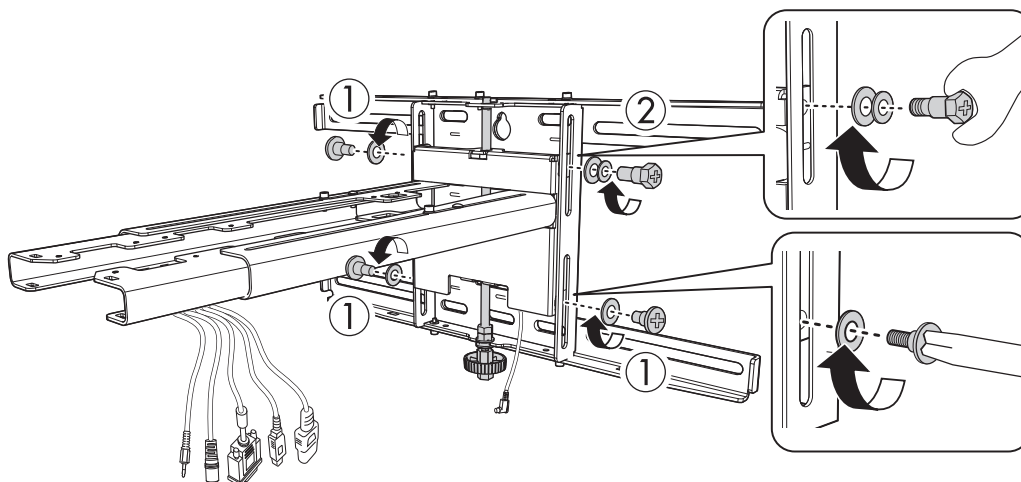
3. Insérez l'arbre hexagonal dans la fente située dans le haut de la plaque murale (①).
4. Insérez l'arbre hexagonal dans la fente située dans le bas de la plaque murale (②).

⚠ Mise en garde

- ❑ Assurez-vous que le câble de connexion de l'unité tactile ne passe pas dans le mur comme les autres câbles.
- ❑ Veillez à ne pas coincer les câbles entre le bras du support de montage et la plaque murale.



5. Fixez le bras du support de montage à la plaque murale en serrant les vis à épaulement à tête à empreinte cruciforme M6 x 20 mm (x3) fournies à l'aide du tournevis cruciforme n° 3 (①). Puis, serrez légèrement le boulon à épaulement à six pans M6 x 20 mm fourni (②).

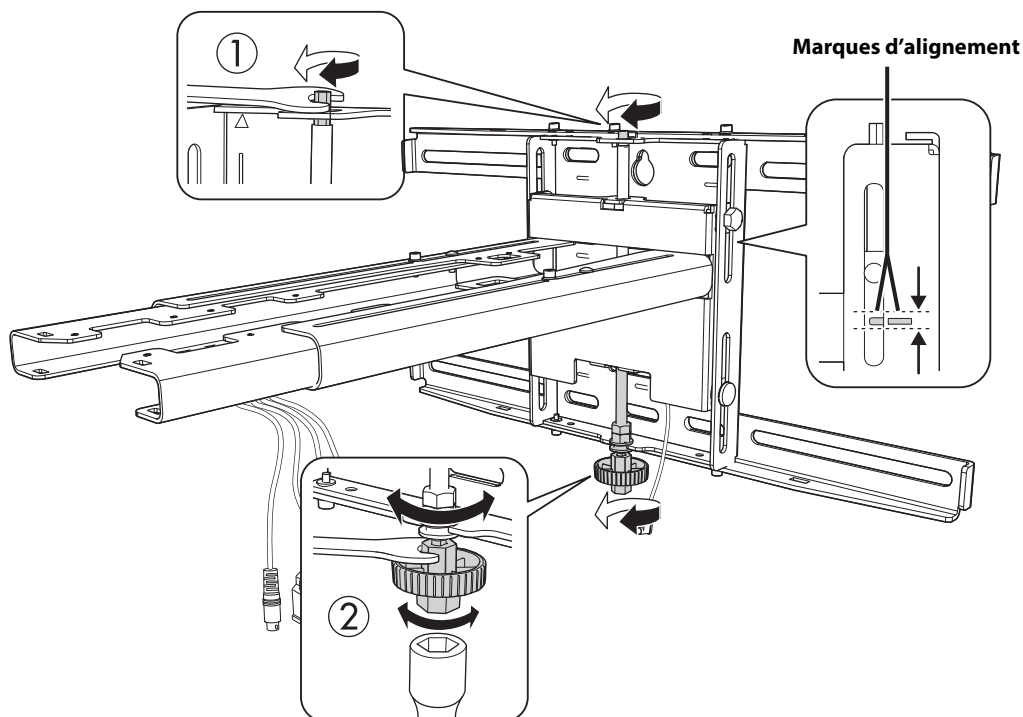


6 Réglez la position du coulissement vertical du bras

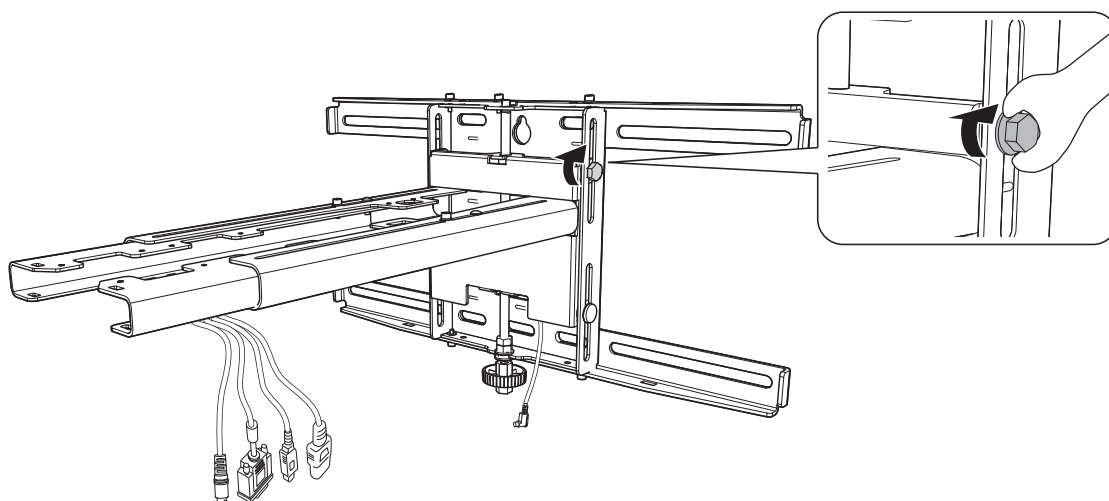
1. Ajustez la position du coulissement vertical avec le boulon à six pans M8 situé au bas du support de montage (②), ou avec l'arbre hexagonal situé dans le haut du support mural (①). Alignez tout d'abord l'encoche sur le bras de montage avec la marque d'alignement sur la plaque murale tel qu'illustré ci-dessous.

Serrez le boulon à six pans M8 pour abaisser le support de montage et desserrez-le pour le relever (②).

Serrez l'arbre hexagonal pour relever le support de montage et desserrez-le pour l'abaisser (①)

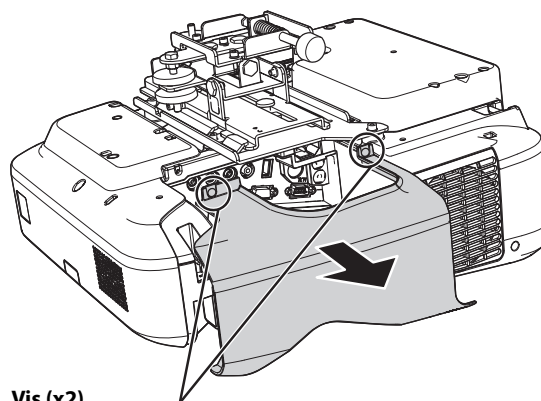


2. Serrez le boulon à épaulement à six pans M6 × 20 mm pour fixer le support de montage.



7 Fixez le projecteur au support de montage

1. Desserrez les deux vis avec un tournevis cruciforme et retirez le cache du câble du projecteur.

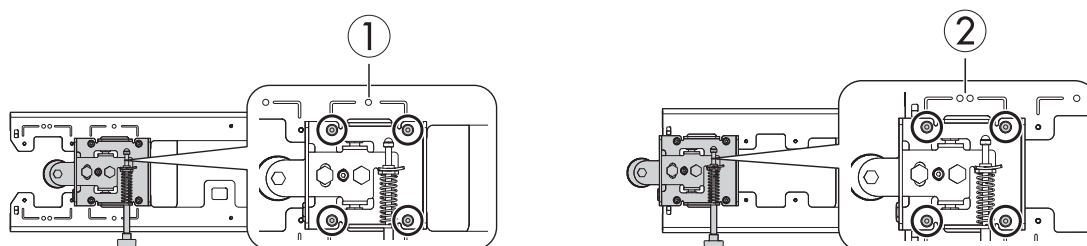


Vis (x2)

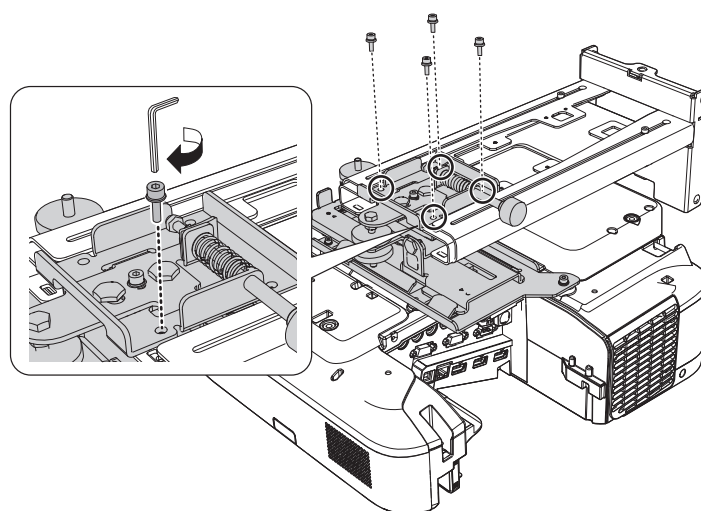
2. Fixez le dispositif de réglage à 3 axes au bras de montage.

- Choisissez la position selon laquelle vous souhaitez installer le dispositif de réglage à 3 axes.

Installez-le au poinçon ○ (①) si la taille de l'image est inférieure à 190,5 cm (75 po) en diagonale (ou à 85 pouces [215,9 cm] pour les images WUXGA), ou au poinçon ○○ (②) si la taille de l'image projetée est de 190,5 cm (75 po) ou plus en diagonale (ou de 85 pouces [215,9 cm] ou plus pour les images WUXGA).



- Serrez les boulons à tête cylindrique à six pans M4 x 12 mm (x4) fournis pour installer le dispositif de réglage à 3 axes.

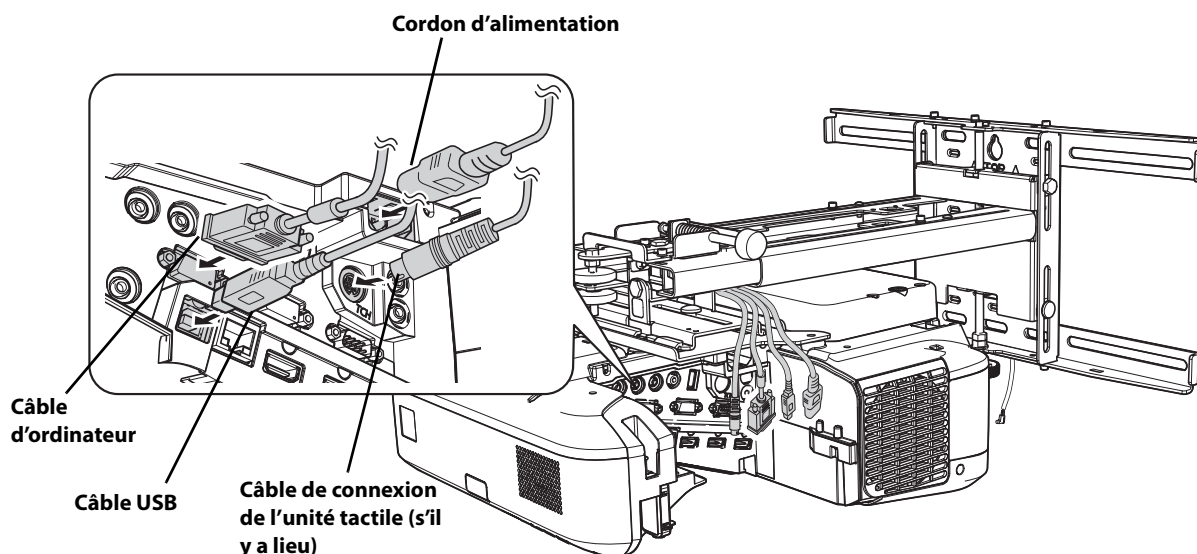


⚠ Avertissement

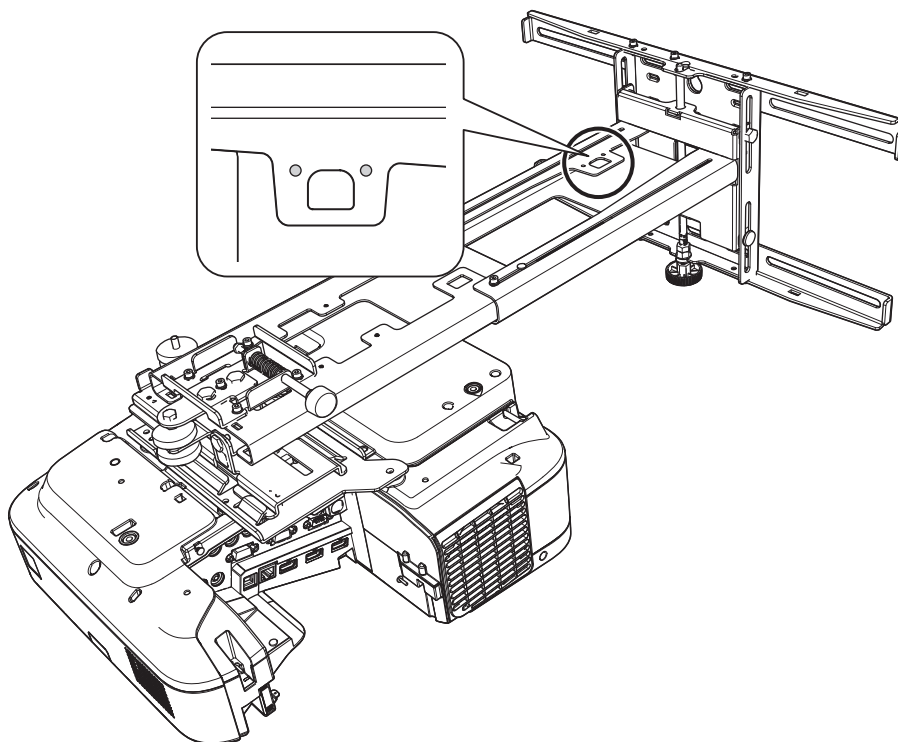
Lorsque vous installez ou ajustez le support de montage, n'utilisez pas d'adhésifs afin d'éviter que les vis ne se desserrent et n'utilisez pas d'huiles ou de lubrifiants pour la plaque d'installation du projecteur. Le boîtier risque de se détériorer et le projecteur pourrait tomber, au risque de provoquer des blessures corporelles ou des dommages matériels.

8 Connectez le cordon d'alimentation et les autres câbles au projecteur

Connectez tous les câbles nécessaires, tels que le câble d'ordinateur, le câble HDMI, le câble USB, le câble de connexion de l'unité tactile (s'il y a lieu), les câbles du boîtier de commande (s'il y a lieu) et le cordon d'alimentation au projecteur. Consultez le *Guide de l'utilisateur* de votre projecteur pour obtenir des informations de connexion détaillées.



Utilisez des vis M4 (non incluses) pour fixer tout appareil ou accessoire additionnel, tel qu'un syntoniseur externe, au point de montage du support.



Si vous planifiez de faire passer les câbles à l'intérieur du mur, assurez-vous de suivre la réglementation électrique de votre région. Si vous faites passer les câbles à l'extérieur du mur, utilisez un système de gestion des câbles afin d'éviter que les câbles obstruent l'image. Un système de gestion des câbles est disponible en option chez Epson (numéro de pièce : ELPCK01).

6 Réglage de l'image

Pour garantir la meilleure qualité d'image, procédez comme décrit ci-dessous pour régler l'écran de projection.



Ne procédez à aucun réglage avec la fonction Keystone ou Quick Corner du projecteur. Vous risqueriez de détériorer la qualité de l'image et le calibrage tactile/du crayon.

Suivez ces directives pour configurer le projecteur :

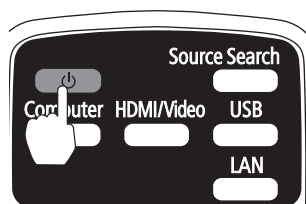
- Assurez-vous que l'image est uniformément rectangulaire, sans distorsion.
- Assurez-vous que le projecteur n'est pas incliné de plus de 3° verticalement et horizontalement par rapport à l'image projetée.



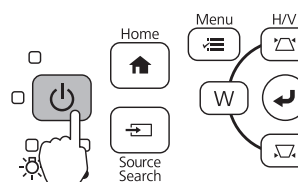
L'apparence de votre télécommande ou du panneau de commande de votre projecteur pourrait différer des illustrations de cette section, mais les instructions sont les mêmes, sauf indication contraire.

1 Mettez le projecteur sous tension

Télécommande



Panneau de configuration



2 Changez le rapport hauteur/largeur (au besoin)

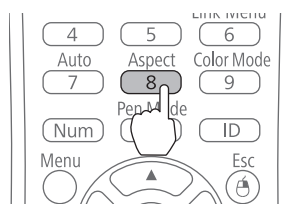
Chaque fois que vous appuyez sur le bouton [Aspect] de la télécommande, le nom du format s'affiche à l'écran et le rapport hauteur/largeur change. Vous devrez afficher la mire de nouveau après avoir modifié le rapport hauteur/largeur.

Changez le réglage en fonction du signal de l'équipement connecté.

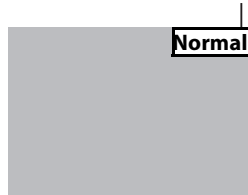


Vous devrez projeter du contenu depuis un appareil branché afin de modifier le rapport hauteur/largeur.

Télécommande



Rapport hauteur/largeur



Il est aussi possible de configurer le rapport hauteur/largeur à partir du menu Signal - Aspect. Voici une liste des réglages de rapport hauteur/largeur disponibles :

BrightLink 480i et PowerLite 470/480/570/580/680

- **Automatique** : Règle automatiquement le rapport hauteur/largeur et le paramètre **Résolution** (disponible seulement pour les sources d'images HDMI).

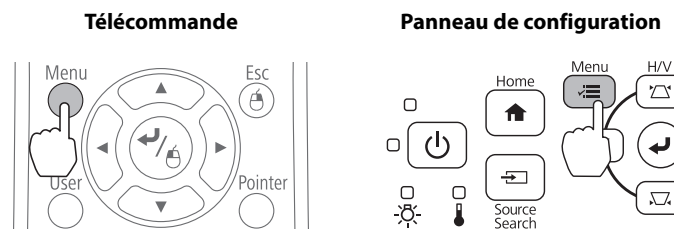
- **Normal** : Affiche les images sur toute la surface de projection et conserve le rapport hauteur/largeur de l'image. Choisissez ce réglage ou **Automatique** pour redimensionner automatiquement l'image et utiliser l'espace d'affichage de la façon la plus efficace.
- **4:3** : Affiche les images en utilisant toute la zone de projection à un rapport hauteur/largeur de 4:3.
- **16:9** : Convertit le rapport hauteur/largeur de l'image à 16:9. Les images 4:3 sont étirées horizontalement pour tenir à l'écran.

BrightLink Pro 1410Wi/1420Wi/1430Wi/1450Ui/1460Ui, BrightLink 475Wi/485Wi/575Wi/575Wi+/585Wi/585Wi+/595Wi/595Wi+/675Wi+/685Wi/685Wi+/695Wi/695Wi+/696Ui/697Ui et PowerLite 575W/585W/675W/685W

- **Automatique** : Règle automatiquement le rapport hauteur/largeur et le paramètre **Résolution** (disponible seulement pour les sources d'images HDMI).
- **Normal** : Affiche les images sur toute la surface de projection et conserve le rapport hauteur/largeur de l'image. Choisissez ce réglage ou **Automatique** pour redimensionner automatiquement l'image et utiliser l'espace d'affichage de la façon la plus efficace.
- **16:9** : Convertit le rapport hauteur/largeur de l'image à 16:9. Les images 4:3 sont étirées horizontalement pour tenir à l'écran.
- **Completo** : Affiche les images sur la pleine largeur de la surface de projection, mais ne conserve pas le format. Les images 4:3 sont étirées horizontalement.
- **Zoom** : Affiche les images sur la pleine largeur de la surface de projection et conserve le format de l'image. L'image pourrait être rognée dans le haut et le bas selon le rapport hauteur/largeur choisi.
- **Native** : Affiche les images telles quelles (format et résolution conservés). Des bandes noires peuvent apparaître, ou les images peuvent être rognées, selon la résolution.

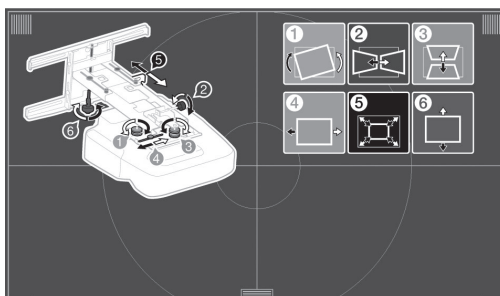
3 Affichez la mire


1. Appuyez sur le bouton [Menu] de la télécommande ou du panneau de commande.



2. Sélectionnez **Réglage**.
3. Sélectionnez **Guide d'installation**.

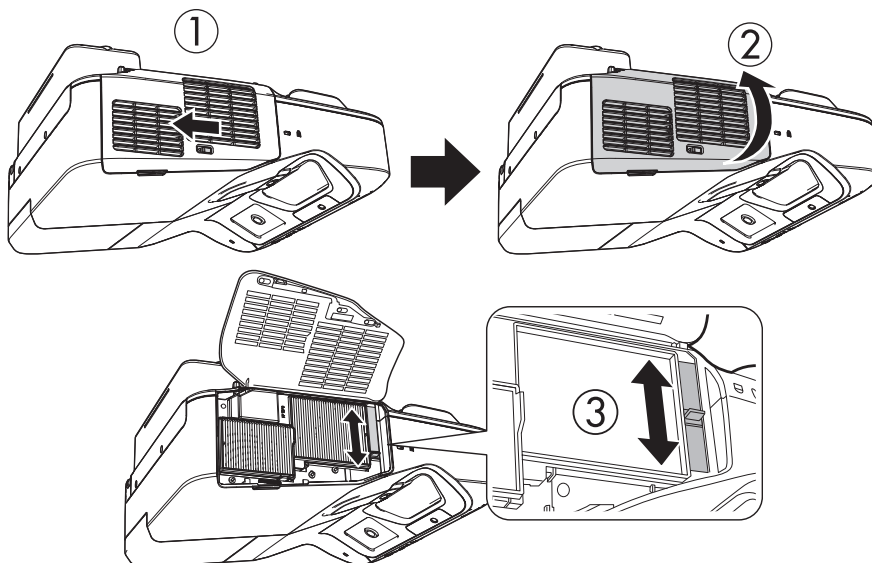
4. Sélectionnez le rapport hauteur/largeur actuel.
Le guide d'installation et la mire s'affichent. Utilisez-les pour surveiller l'image alors que vous effectuez les ajustements des étapes ⑤ à ⑩.



Pour afficher la mire avec les modèles BrightLink 475Wi/480i/485Wi/575Wi/575Wi+/585Wi/585Wi+/595Wi/595Wi+, BrightLink Pro 1410Wi/1420Wi/1430Wi et PowerLite 470/475W/480/485W/570/575W/580/585W, appuyez sur le bouton [Help] de la télécommande ou du panneau de commande. Puis, appuyez sur le bouton  de la télécommande ou sur le bouton [Wide] du panneau de commande.

④ Réglez la mise au point

1. Faites glisser le levier du capot du filtre à air (①) pour ouvrir le capot du filtre à air (②).
2. Utilisez le levier de mise au point pour régler la mise au point (③).



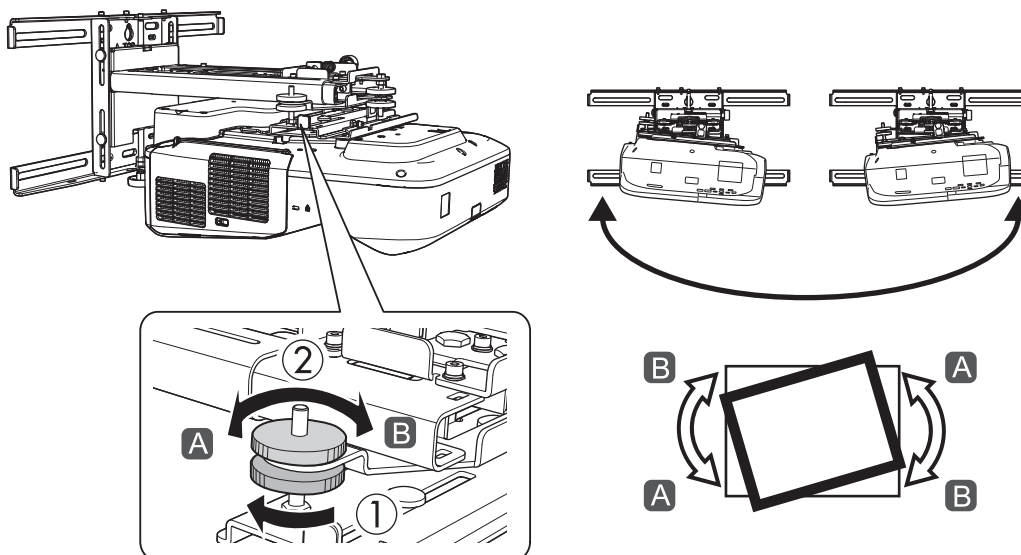
3. Une fois le réglage terminé, fermez le capot du filtre à air.

5 Utilisez le cadran d'ajustement sur le côté gauche pour régler le roulis horizontal.



Répétez les étapes 5 à 10 tel que nécessaire.

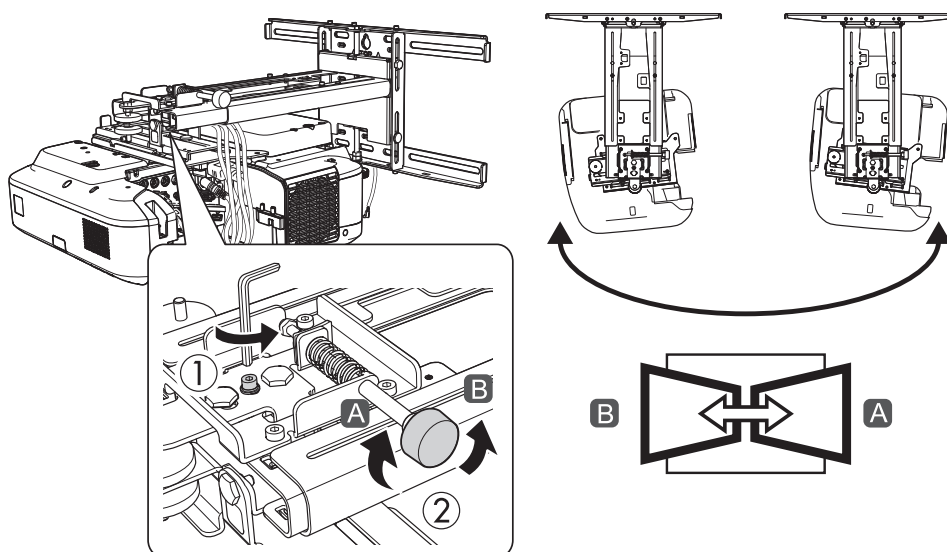
1. Desserrez le cadran d'ajustement du bas (1).



2. Tournez le cadran d'ajustement du haut pour régler le roulis horizontal (2).
3. Une fois tous les réglages des étapes 5 à 10 terminés, serrez le cadran d'ajustement du bas que vous avez desserré à l'étape 1.

6 Utilisez la poignée de réglage sur le côté droit pour régler la rotation horizontale

1. Desserrez la vis pour déverrouiller la poignée de réglage (1).

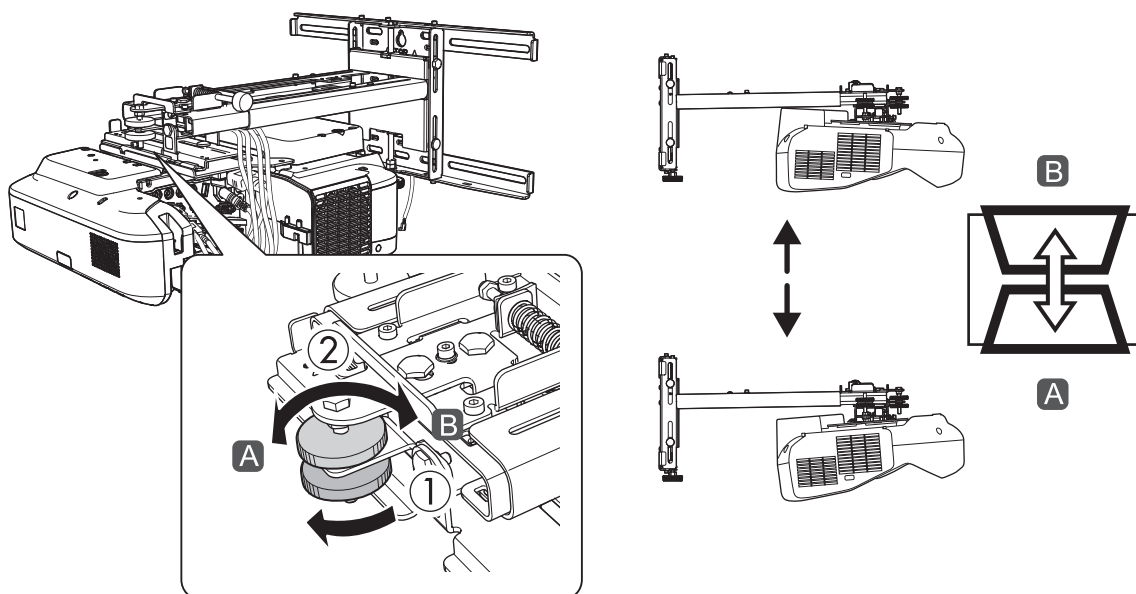


2. Tournez la poignée de réglage pour régler le roulis horizontal (2).

- Une fois tous les réglages des étapes ⑤ à ⑩ terminés, serrez la vis que vous avez desserrée à l'étape ①.

⑦ Utilisez le cadran d'ajustement dans le haut pour régler l'inclinaison verticale

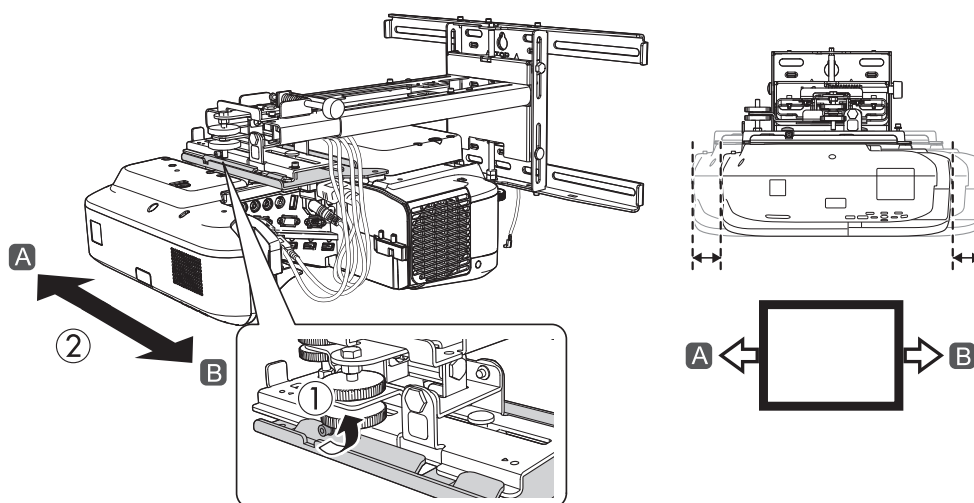
- Desserrez le cadran d'ajustement du bas (①).



- Tournez le cadran d'ajustement du haut pour régler l'inclinaison verticale (②).
- Une fois tous les réglages des étapes ⑤ à ⑩ terminés, serrez le cadran d'ajustement du bas que vous avez desserré à l'étape ①.

⑧ Réglez le coulissement horizontal

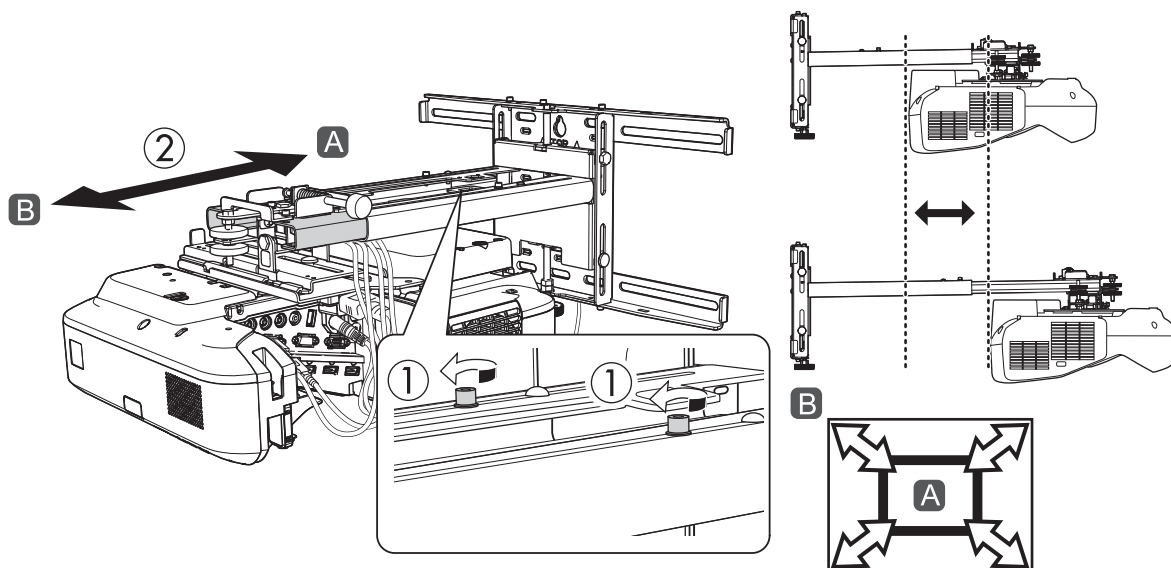
- Desserrez le boulon à tête cylindrique à six pans M4 x 12 mm (①).
- Ajustez le curseur de la plaque coulissante (②).



- Une fois tous les réglages des étapes ⑤ à ⑩ terminés, serrez le boulon à tête cylindrique à six pans M4 x 12 mm que vous avez desserré à l'étape ①.

9 Réglez le coulissement vers l'avant/l'arrière

1. Desserrez les boulons à tête cylindrique à six pans M4 x 12 mm (x2) (1).
2. Ajustez le curseur du support de montage (2).



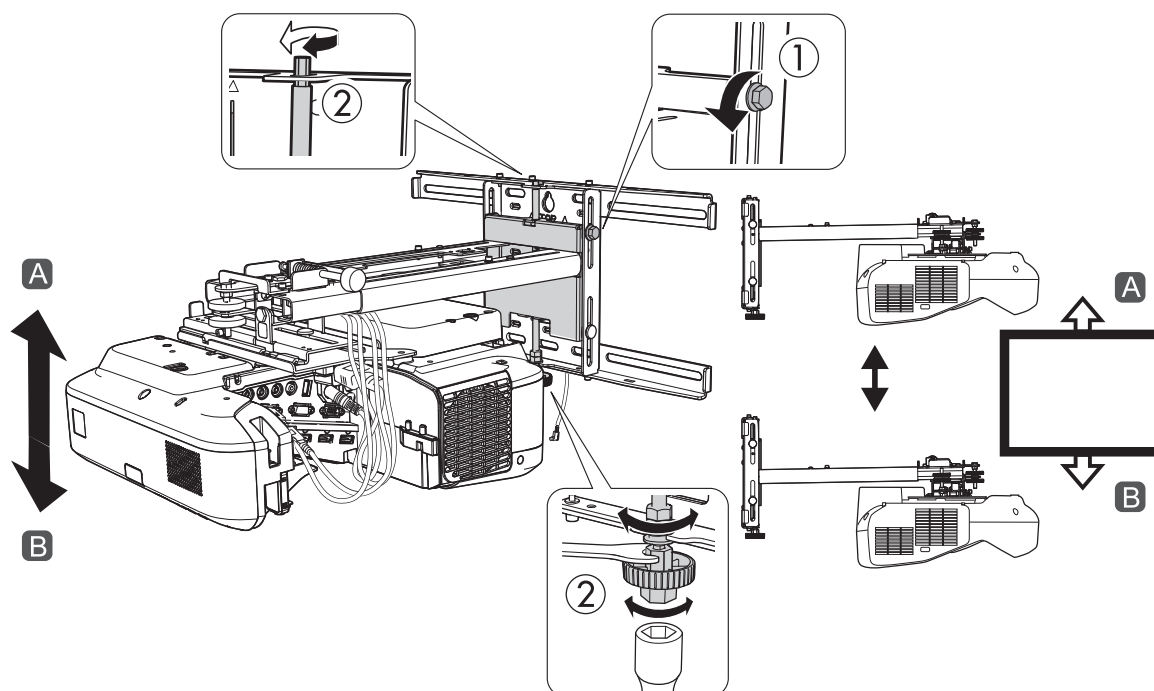
3. Une fois tous les réglages des étapes (5) à (10) terminés, serrez les boulons à tête cylindrique à six pans M4 x 12 mm (x2) que vous avez desserrés à l'étape (1).

10 Réglez le coulissement vertical

1. Desserrez le boulon à épaulement à six pans M6 x 20 mm (1).
2. Réglez le coulissement vertical à l'aide du boulon à six pans M8 sur la partie inférieure du support de montage, ou de l'arbre hexagonal sur la partie supérieure du support de montage (2).

Serrez le boulon à six pans M8 pour abaisser le support de montage et desserrez-le pour le relever.

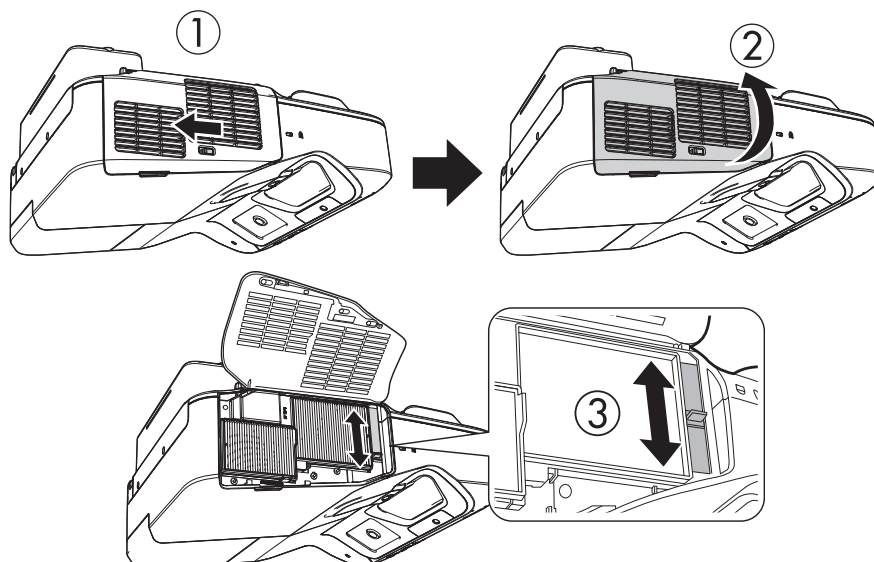
Serrez l'arbre hexagonal pour relever le support de montage et desserrez-le pour l'abaisser.



- Une fois les ajustements terminés, resserrez le boulon à épaulement à six pans M6 x 20 mm que vous avez desserré à l'étape ①.

⑪ Réajustez la mise au point

- Faites glisser le levier du capot du filtre à air (①) pour ouvrir le capot du filtre à air (②).
- Utilisez le levier de mise au point pour régler la mise au point (③).



- Une fois le réglage terminé, fermez le capot du filtre à air.

⑫ Supprimez l'affichage de la mire

Appuyez sur le bouton [Esc] de la télécommande ou du panneau de commande pour supprimer la mire.

⚠ Avertissement

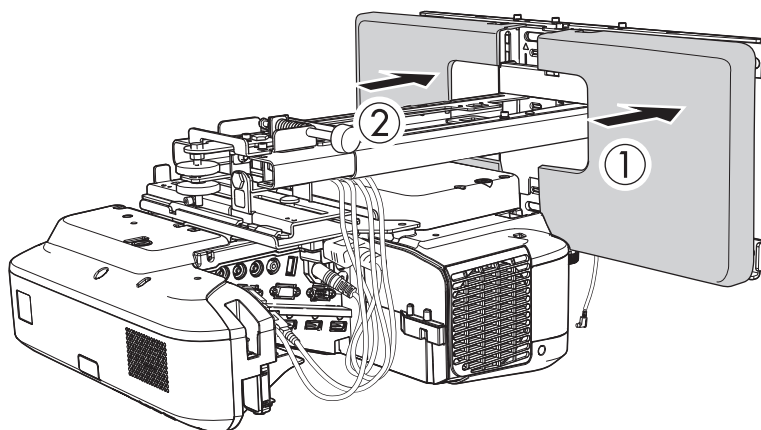
Serrez fermement toutes les vis. Sinon, le support de montage ou le projecteur pourrait tomber et provoquer des blessures corporelles ou des dommages matériels.

7 Fixation des caches

1 Fixez le cache du support de montage et le capuchon de protection

Si vous devez utiliser un câble de sécurité, assurez-vous de le fixer avant d'installer le cache de la plaque murale. Consultez la page 93 pour obtenir les instructions.

1. Fixez d'abord la cache droite de la plaque murale (①), puis fixez la cache gauche de la plaque murale (②). Pressez les onglets du cache dans les trous de la plaque murale. (Si vous devez retirer le cache, appuyez sur les onglets.)

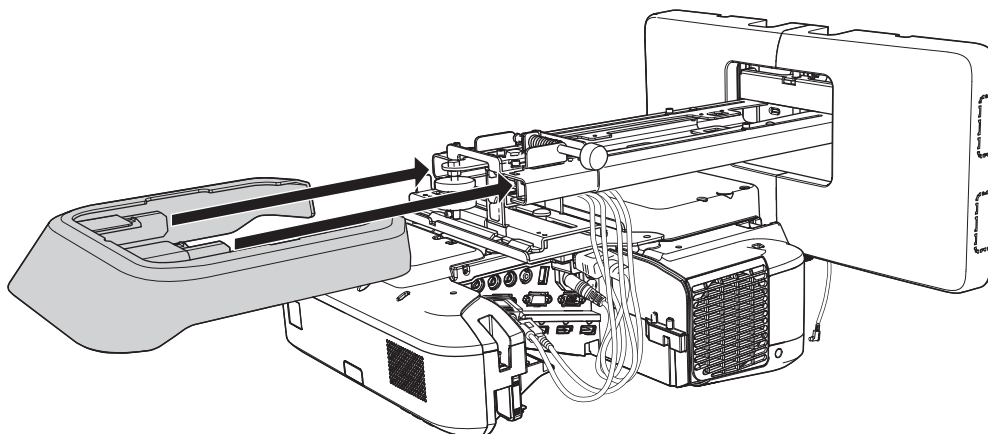


En fonction du câblage, vous devrez peut-être découper une partie du cache de la plaque murale pour pouvoir passer les câbles à travers celui-ci.

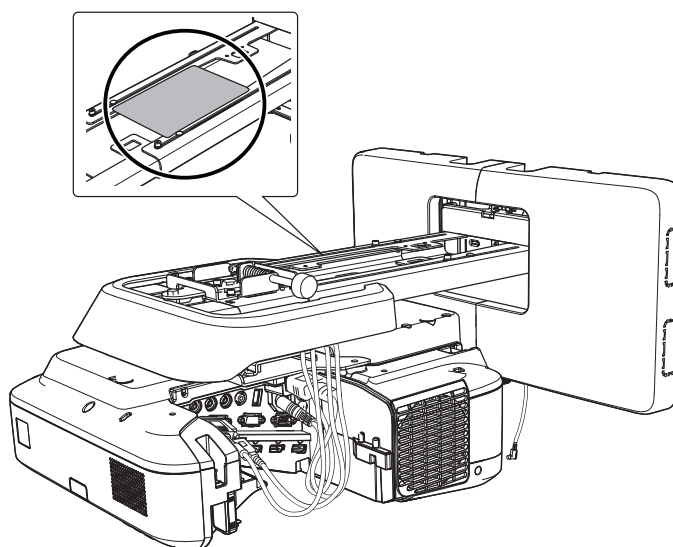
Si vous découpez une partie de la section mince du cache afin d'y faire passer les câbles, assurez-vous de procéder à un ébarbage afin de lisser les bords tranchants et éviter ainsi d'endommager les câbles.

Veillez également à manipuler la lame en toute sécurité.

2. Attachez le capuchon de protection sur le bras de montage.

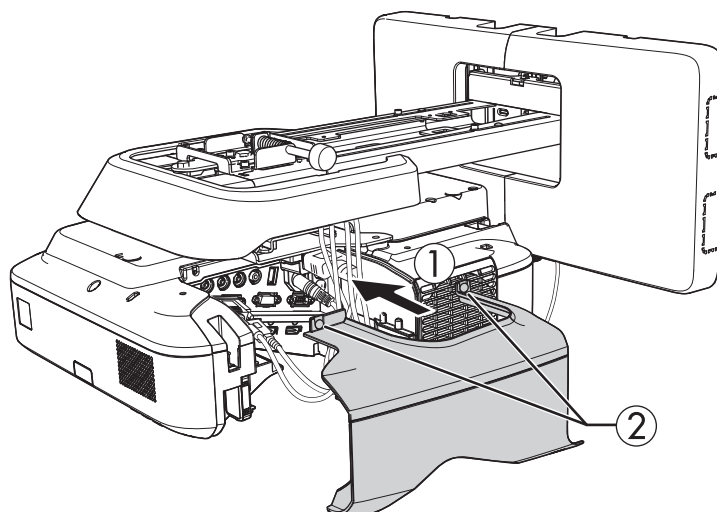


Si vous souhaitez dissimuler l'écart sur le bras de montage, placez la feuille adhésive sur l'écart.



2 Fixez le cache du câble au projecteur

Installez le cache du câble (1) et utilisez un tournevis cruciforme pour serrer les vis (x2) afin de fixer le cache du câble en place (2).



 **Mise en garde**

Seul un spécialiste est autorisé à désinstaller ou réinstaller le projecteur, même pour l'entretien et les réparations. Reportez-vous au *Guide de l'utilisateur* en ligne de votre projecteur pour plus d'informations sur l'entretien et les réparations.

 **Avertissement**

- Ne desserrez jamais les écrous et les boulons après l'installation. Si vous constatez le moindre jeu, resserrez fermement les vis concernées. Sinon, le support de montage ou le projecteur pourrait tomber et provoquer des blessures corporelles ou des dommages matériels.**
- Ne suspendez aucun objet au support de montage ni ne posez d'objet lourd sur celui-ci. La chute du support de montage ou du projecteur peut provoquer des blessures corporelles ou des dommages matériels.**

8 Annexe

Installation de l'unité tactile et du boîtier de commande

Pour des détails sur l'installation de l'unité tactile et du boîtier de commande de votre produit (s'il y a lieu), consultez la documentation fournie avec votre projecteur.

Pour la fonction Easy Interactive

Après avoir installé votre projecteur BrightLink (et l'unité tactile, s'il y a lieu), vous devez procéder au calibrage afin d'aligner les positions du curseur et du ou des crayons interactifs (et de votre doigt, si vous avez installé l'unité tactile). Consultez le *Guide de l'utilisateur* en ligne de votre projecteur et l'affiche *Point de départ* pour obtenir des informations détaillées.

Pour utiliser le logiciel Easy Interactive Tools, vous devez d'abord installer le logiciel de votre ordinateur. Les utilisateurs d'OS X doivent installer un pilote qui active le crayon ou l'interactivité par commande tactile. Les deux programmes sont inclus avec le projecteur BrightLink.

Pour obtenir plus de détails, consultez le *Guide de l'utilisateur* en ligne ou le site Web à l'adresse suivante : www.epson.ca/support/brightlinklogiciels

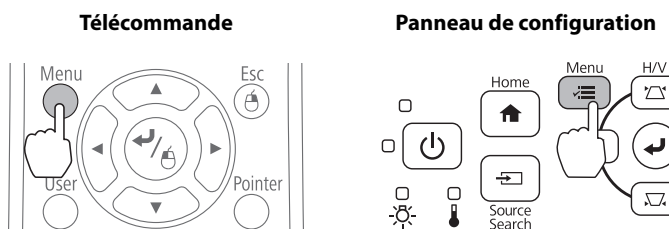
Correction de la forme de l'image sur un écran courbé

Si vous projetez sur un écran courbé, ajustez le paramètre Correction de l'arc pour corriger la forme de l'image.



L'installation de l'unité tactile nécessite une surface de projection plate, lisse et régulière avec moins de 5 mm (0,2 po) d'inégalité (dans toutes les directions) sur la surface de l'écran.

1. Appuyez sur le bouton [Menu] de la télécommande ou du panneau de commande.



2. Sélectionnez **Réglage**.
3. Sélectionnez **Corr. géométrique**.
4. Sélectionnez **Correction de l'arc**.
5. Sélectionnez **Correction de l'arc**.
6. Sélectionnez la zone à corriger.



7. Utilisez les touches fléchées sur la télécommande ou le panneau de commande pour modifier la forme de la zone sélectionnée.



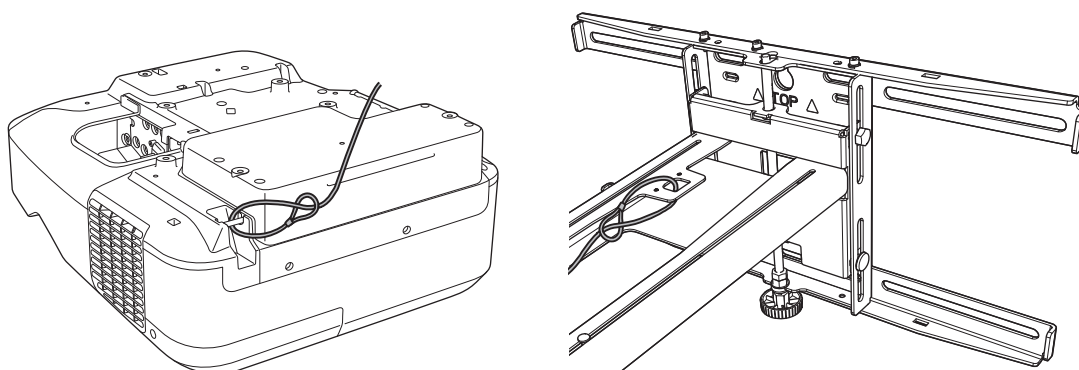
8. Répétez les étapes 6 à 7 pour ajuster toute zone additionnelle.

Fixation d'un câble de sécurité

Si le projecteur doit être installé dans une pièce qui ne sera pas surveillée, vous pouvez utiliser un verrou de câble antivol disponible dans le commerce pour fixer le projecteur à un pilier ou autre objet pour prévenir le vol.

Faites passer le câble du verrou antivol dans le point d'installation du câble de sécurité.

Pour plus d'informations sur le verrouillage du verrou antivol, reportez-vous au *Guide de l'utilisateur* fourni avec le verrou.



Lorsque l'installation du projecteur est terminée, assurez-vous de laisser la télécommande, les piles, les CD, le ou les crayons interactifs, les piles des crayons, le plateau des crayons et le chargeur des piles dans la pièce où le projecteur se trouve. Si votre projecteur inclut un guide d'installation spécifique au produit ou une fiche d'installation, utilisez ce ou cette dernière au lieu de la présente fiche d'installation. Les accessoires inclus avec le projecteur varient selon le modèle et le pays.

Garantie limitée

Garantie limitée de deux ans

Ce que couvre la garantie : Epson America, Inc. (« Epson ») garantit au premier acheteur au détail que le produit Epson couvert par la présente garantie limitée, s'il est acheté neuf et utilisé seulement au Canada, aux États-Unis ou à Puerto Rico, sera exempt de défaut de fabrication et de vice de matériau pendant une durée de deux ans à compter de la date d'achat d'origine. Pour toute intervention au titre de la garantie, vous devez fournir une preuve de la date d'achat d'origine.

Ce que fera Epson pour remédier aux problèmes : Si votre produit doit être réparé durant la période où il est couvert par la garantie limitée, veuillez appeler Epson au numéro inscrit dans le bas de cette déclaration et assurez-vous d'être en mesure d'indiquer le modèle, le numéro de série (s'il y a lieu) et la date d'achat d'origine. Si Epson confirme qu'une intervention au titre de la garantie est requise, Epson réparera le produit.

gratuitement en assumant le coût des pièces, de la main-d'œuvre et de l'expédition. Si Epson autorise le remplacement du produit défectueux, on vous enverra un produit de remplacement, en port payé si vous avez une adresse au Canada, aux États-Unis ou à Puerto Rico. Il vous incombe d'emballer correctement le produit défectueux et de le retourner à Epson dans un délai de cinq jours ouvrables après avoir reçu le produit de remplacement. Epson vous demandera un numéro de carte de crédit ou de débit pour couvrir le coût du produit de remplacement au cas où vous ne retourneriez pas le produit défectueux. Pour une réparation du produit au lieu d'un échange, Epson vous demandera de lui envoyer ce dernier directement ou à son centre de service autorisé qui réparera le produit et vous le renverra. Vous êtes responsable d'emballer le produit et de payer tous les frais de port ou de livraison vers et depuis le centre de service autorisé Epson. Lorsqu'une intervention au titre de la garantie nécessite l'échange du produit ou d'une pièce, l'article remplacé devient propriété d'Epson. Le produit ou la pièce de rechange pourra être neuf ou avoir été remis à neuf selon les normes de qualité d'Epson. S'il n'est pas possible de réparer le produit pour quelque raison que ce soit et qu'Epson ne vend plus le modèle en question, Epson remplacera le produit par un produit d'un autre modèle de valeur équivalente ou supérieure. Les produits et pièces de rechange sont couverts pour la période de garantie restante du produit couvert par la présente garantie limitée.

Ce que la garantie ne couvre pas : Cette garantie ne s'applique qu'au Canada, aux États-Unis ou à Puerto Rico dans le contexte d'une utilisation normale. Cette garantie ne couvre pas ce qui suit :

- Une utilisation excessive ou continue;
- Les consommables;
- L'installation ou la désinstallation;
- Les dommages esthétiques causés par la manipulation ou l'usure normale;
- Les dommages causés par un entretien inadéquat du produit (consultez votre *Guide de l'utilisateur* en ligne pour plus de détails);
- Les dommages causés par une interaction avec des produits de marque autre qu'Epson;
- Tous les problèmes résultant d'une mauvaise utilisation, d'une utilisation abusive, d'une installation incorrecte, d'une négligence, d'avaries lors du transport, de catastrophes comme un incendie, une inondation ou la foudre, d'une surtension électrique, de problèmes logiciels ou de l'exposition à de la fumée chimique ou à une humidité extrême;

Tous les problèmes résultant d'une intervention effectuée par un tiers autre qu'Epson ou un prestataire de service agréé d'Epson.

Epson ne sera pas tenue d'effectuer d'interventions au titre de la garantie lorsque l'étiquette ou le logo Epson, le numéro de série ou la plaque signalétique ont été enlevés de l'appareil. Cette garantie n'est pas transférable. Epson n'est pas responsable de vos données ou de vos applications, lesquelles ne pourront pas être restaurées en cas de perte. Il vous incombe d'en prévoir la sauvegarde. Les frais d'affranchissement, d'assurance ou d'expédition engagés pour faire réparer votre produit Epson au titre de la garantie avec retour en atelier seront à votre charge. Si une anomalie déclarée ne peut être identifiée ou reproduite, les frais engagés seront à votre charge.

STIPULATION D'EXONÉRATION DES AUTRES GARANTIES : CE QUI PRÉCÈDE CONSTITUE LA SEULE GARANTIE ET EXCLUT TOUTE AUTRE GARANTIE, EXPRESSE OU IMPLICITE, Y COMPRIS, MAIS SANS S'Y LIMITER, TOUTE GARANTIE IMPLICITE DE QUALITÉ MARCHANDE, D'ABSENCE DE CONTREFAÇON OU D'APTITUDE À UNE FIN PARTICULIÈRE. CERTAINES LOIS N'AUTORISENT PAS L'EXCLUSION DES GARANTIES IMPLICITES. LE CAS ÉCHÉANT, L'EFFET DE TOUTES LES GARANTIES EXPRESSES ET IMPLICITES SE LIMITE À LA PÉRIODE DE GARANTIE MENTIONNÉE PRÉCÉDEMMENT. SAUF DISPOSITIONS CONTRAIRES, TOUTE DÉCLARATION OU GARANTIE FAITE PAR UNE AUTRE PERSONNE OU SOCIÉTÉ EST NULLE.

EXCLUSION DES DOMMAGES; RESPONSABILITÉ MAXIMALE D'EPSON : EN AUCUN CAS EPSON OU LES MEMBRES DE SON GROUPE NE PEUVENT ÊTRE TENUS RESPONSABLES DES DOMMAGES SPÉCIAUX, INDIRECTS OU EXEMPLAIRES OU DES PERTES DE BÉNÉFICES RÉSULTANT DE L'UTILISATION DU PRODUIT EPSON OU DE L'IMPOSSIBILITÉ DE L'UTILISER, QU'ILS DÉCOULENT D'UNE VIOLATION DE LA GARANTIE OU SE FONDENT SUR QUELQUE AUTRE CONCEPTION JURIDIQUE. EN AUCUN CAS EPSON NI SES FILIALES NE POURRONT ÊTRE TENUES RESPONSABLES DE DOMMAGES D'AUCUNE SORTE AU-DELÀ DU PRIX D'ACHAT D'ORIGINE AU DÉTAIL DU PRODUIT.

Arbitrage, lois applicables : Les différends, réclamations ou controverses en lien avec la présente garantie seront réglés par arbitrage à Los Angeles, en Californie, devant un seul arbitre. L'arbitrage sera administré par JAMS conformément à ses règles et procédures en matière d'arbitrage. La décision rendue pourra faire l'objet d'un jugement par tout tribunal compétent. Toutes les actions doivent être intentées dans les trois mois à compter de la date d'expiration de la garantie. La présente clause n'interdit pas aux parties de chercher d'autres

mesures provisoires pouvant s'appliquer dans le cadre de l'arbitrage auprès d'un tribunal compétent. La présente garantie s'interprète conformément aux lois de l'État de la Californie, à l'exception de la présente clause d'arbitrage qui sera interprétée conformément à la Federal Arbitration Act.

Autres droits que vous pourriez avoir : La présente garantie vous confère des droits précis, et vous pourriez avoir d'autres droits selon le territoire de compétence. Certains pays n'autorisent pas les limitations quant à la durée d'une garantie implicite ni les exclusions ou limitations des dommages exemplaires ou indirects; les limitations ou exclusions indiquées précédemment pourraient, le cas échéant, ne pas être applicables.

Au Canada, les garanties englobent les garanties et les conditions.

Pour obtenir les coordonnées du revendeur Epson le plus près de vous, veuillez visiter notre site Web à l'adresse www.epson.ca.

Pour obtenir les coordonnées du centre de service après-vente Epson le plus près de chez vous, visitez notre site Web à l'adresse www.epson.ca/support.

Pour communiquer avec Epson Connection^{MS}, veuillez composer le 905 709-3839 (Canada) ou le 562 276-4394 (É.-U.), ou écrivez-nous à l'adresse Epson America, Inc., P.O. Box 93012, Long Beach, CA 90809-3012.